

# Legacy™ Pool/Spa Heaters Vent Cap and Draft Hood Installation Instructions

## ⚠ WARNING

**FOR YOUR SAFETY** - This product must be installed and serviced by personnel qualified in pool/spa heater installation. Improper installation and/or operation can create carbon monoxide gas and flue gases which can cause serious injury, property damage, or death. For indoor installations, as an additional measure of safety, Zodiac Pool Systems, Inc. strongly recommends installation of suitable Carbon Monoxide detectors in the vicinity of this appliance and in any adjacent occupied spaces. Improper installation and/or operation will void the warranty.

**These instructions are to be used with the following Jandy® Replacement Kits:**

**R0491601-05 -- Vent Cap Assembly, Legacy, Replacement Kit**

**R0499601-05 -- Draft Hood, Indoor, Legacy, Replacement Kit**

## ⚠ WARNING

If the information in these instructions is not followed exactly, a fire or explosion may result causing property damage, personal injury or death.

**NOTE** When installing a new pool heater that will connect to existing venting, some adaptation of the vent system will be required. This is due to variations in venting centerlines with the replacement heaters. In the USA, refer to the National Fuel Gas Code (ANSI Z223.1/NFPA 54) and all local codes. In Canada, refer to the Natural Gas and Propane Installation Code (CSA B149.1) and all local codes.

**NOTE** Jandy ships the heater with the low-profile top for an outdoor installation. Follow these procedures to install either the Jandy draft hood (a draft hood is required on all indoor installations) or the vent cap (outdoor installations).

This document gives instructions for installing/replacing the Vent Cap and Draft Hood in all Jandy Legacy model pool/spa heaters. The instructions must be followed exactly.

These instructions were written with safety as the priority. Not following the written procedure or taking short cuts may increase the risk of personal injury. Read through the instructions completely before starting the procedure.

Before starting the procedure, use the parts list at the back of these instructions to identify the parts that are in your kit. If any parts are missing from the kit, please call your local Jandy distributor for assistance. For technical assistance, please contact our Technical Service Department at (800) 822-7933.

## A. Install the New Vent Cap or Draft Hood

### ⚠ WARNING SHOCK HAZARD!

Turn off all switches and the main breaker in the pool/spa heater electrical circuit before starting the replacement procedure. Failure to comply may cause a shock hazard resulting in severe personal injury or death.

## ⚠ WARNING

Flue gases can be very hot and can contain carbon monoxide which can cause property damage, severe injury or death. Make sure the unit is off and cool to the touch before attempting these instructions.

1. Turn off the electrical power to the heater. Turn off the main gas supply to the heater at the meter or the manual gas cock outside the heater.
2. Remove the vent top cover (stamped "HOT" and "CHAUD") by removing all three (3) screws on top. See Figure 1.
3. Remove the three (3) vent top cover brackets by removing three (3) screws holding brackets in place to the top enclosure. See Figure 2.
4. Remove the top enclosure by removing four (4) screws, two (2) on each side of heater, holding top enclosure in place to heater. See Figure 2.
5. Remove the vent cap or draft hood and accessories from the carton.
6. Place the transition plate securely on top of flue collector so gas will not leak. Make sure transition plate is placed so that the vent pipe flange is located towards the rear of the heater. See Figure 3.

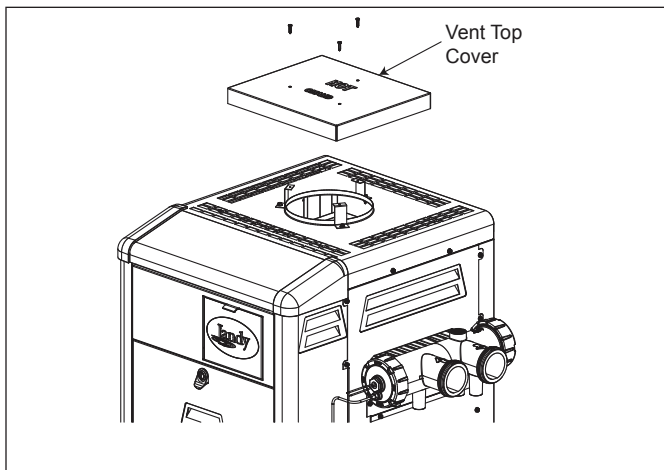


Figure 1. Remove the Vent Top Cover

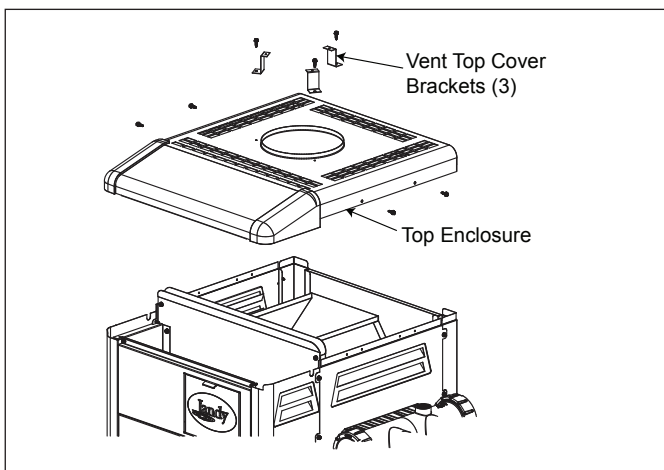


Figure 2. Remove the Top Enclosure

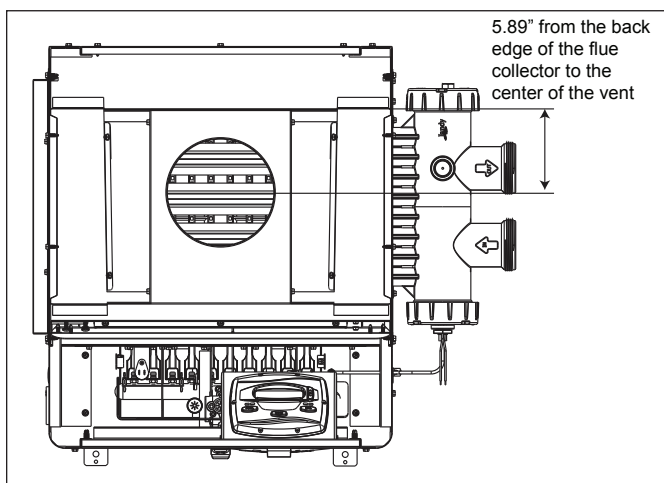


Figure 3. Installation of Transition Plate and Vent Pipe Flange

7. Use the four (4) holes in the transition plate as guides to drill four (4) 1/8" diameter holes, to fasten transition plate to top flue collector using four (4) screws supplied in the kit. See Figure 4.
8. Replace the heater top enclosure and secure using four (4) screws, two (2) on each side of heater. See Figure 5. Check the alignment of the transition plate hole and the hole in the top enclosure.

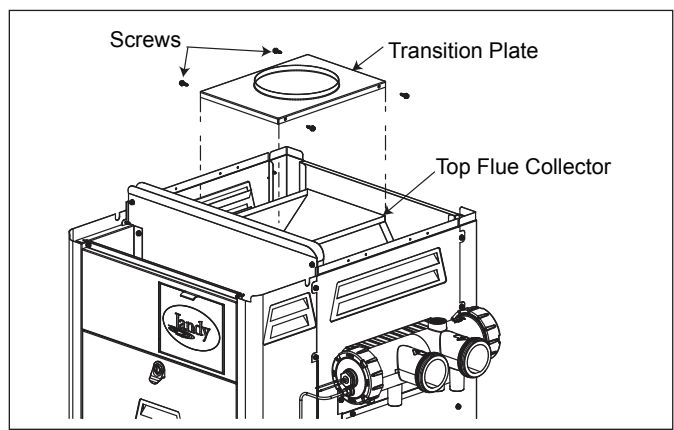


Figure 4. Installation of Transition Plate to Flue to Top Flue Collector

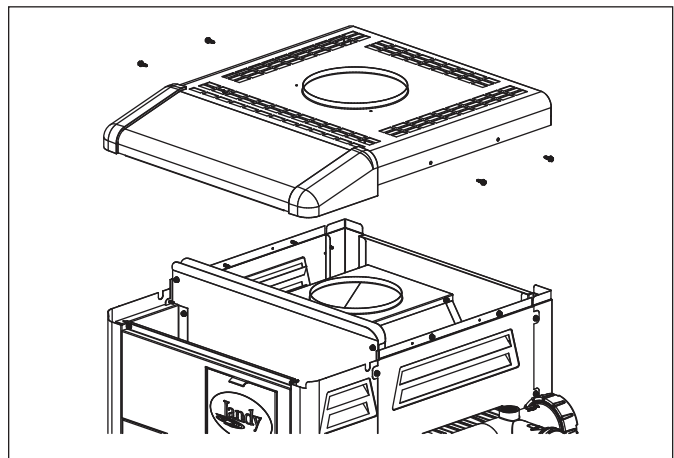


Figure 5. Installation Heater Top Enclosure

9. Place the stack extension (or draft hood bottom) through the top enclosure vent hole and fit the stack extension on the top of the collar of the flue transition plate. See Figure 6.
10. Attach the three (3) clips to the top enclosure using three (3) screws supplied the kit. See Figure 6.
11. Secure the vent cap stack to the clips with three (3) screws supplied in the kit. Align slotted holes in clips to the holes on the vent cap stack and fasten using the screws supplied in the kit. See Figure 6.

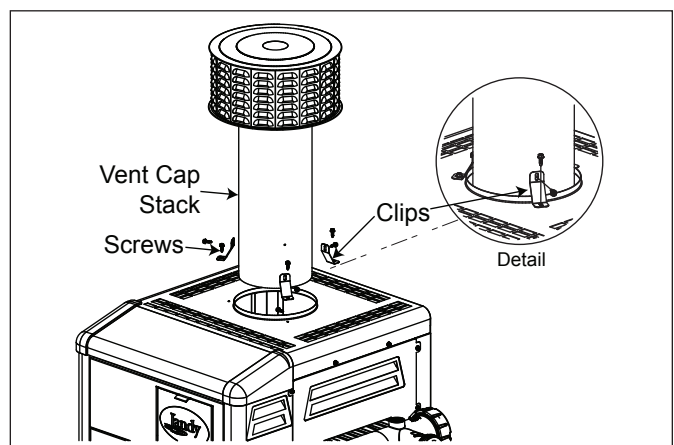


Figure 6. Installation of the Vent Cap Stack

12. When installing a draft hood or a painted vent cap use the slotted holes in the clips as guides to drill three (3) 1/8" diameter holes in the stack. Be sure stack is seated properly to the transition plate before drilling the holes into place.
13. Figure 7 shows a cross-section of the finished installation.
14. Restore the main gas supply to the heater. Turn on electrical power to the heater.
15. Test the heater for proper operation before leaving the job site.

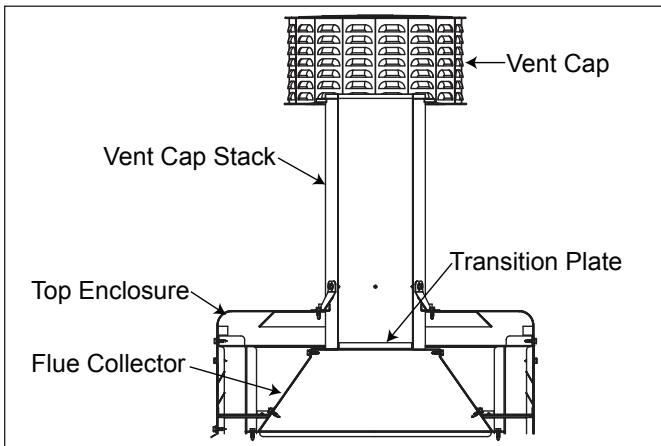


Figure 7. Cross-Section of Assembled Installation

## F. Replacement Kit List

The following table is for your reference. To order additional parts, please contact your local Jandy Distributor.

Replacement Kit List		
DESCRIPTION	R0491601-05*	R0499601-05
Vent Stack Pipe	1	--
Vent Cap	1	--
Draft Hood	--	1
Clip, Vent Cap / Draft Hood	3	3
Plate, Flue Transition	1	1
Screw, 10-16 X 5/8, Steel, Hex Washer Head	10	10
Instructions	1	1

\* If your R0491601-05 kit is supplied with a painted vent cap, the kit will not require the vent stack pipe.

H0322000-



Zodiac Pool Systems, Inc.  
6000 Condor Drive, Moorpark, CA USA 93021 • 800.822.7933 FAX 877.327.1403

Litho in U.S.A. © Zodiac Pool Systems, Inc. 0909