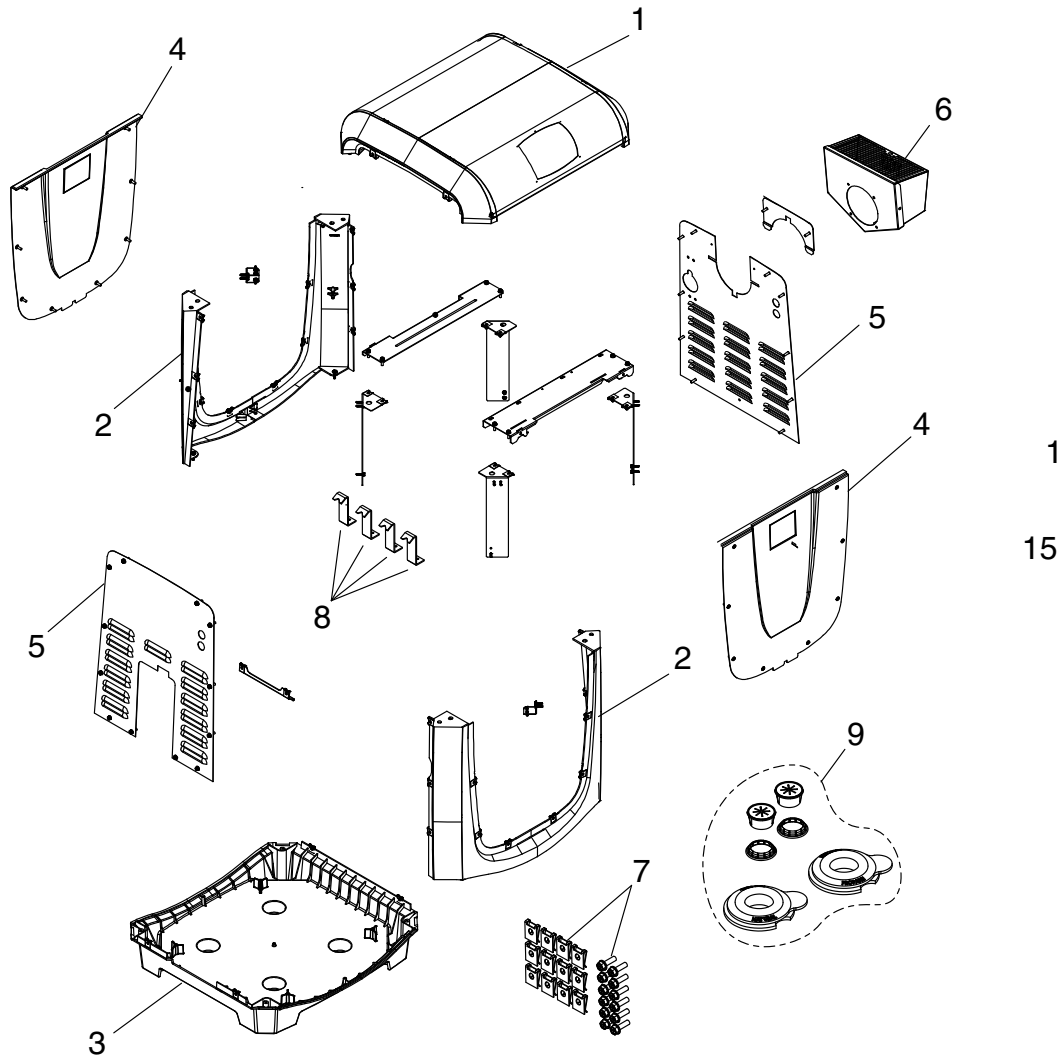


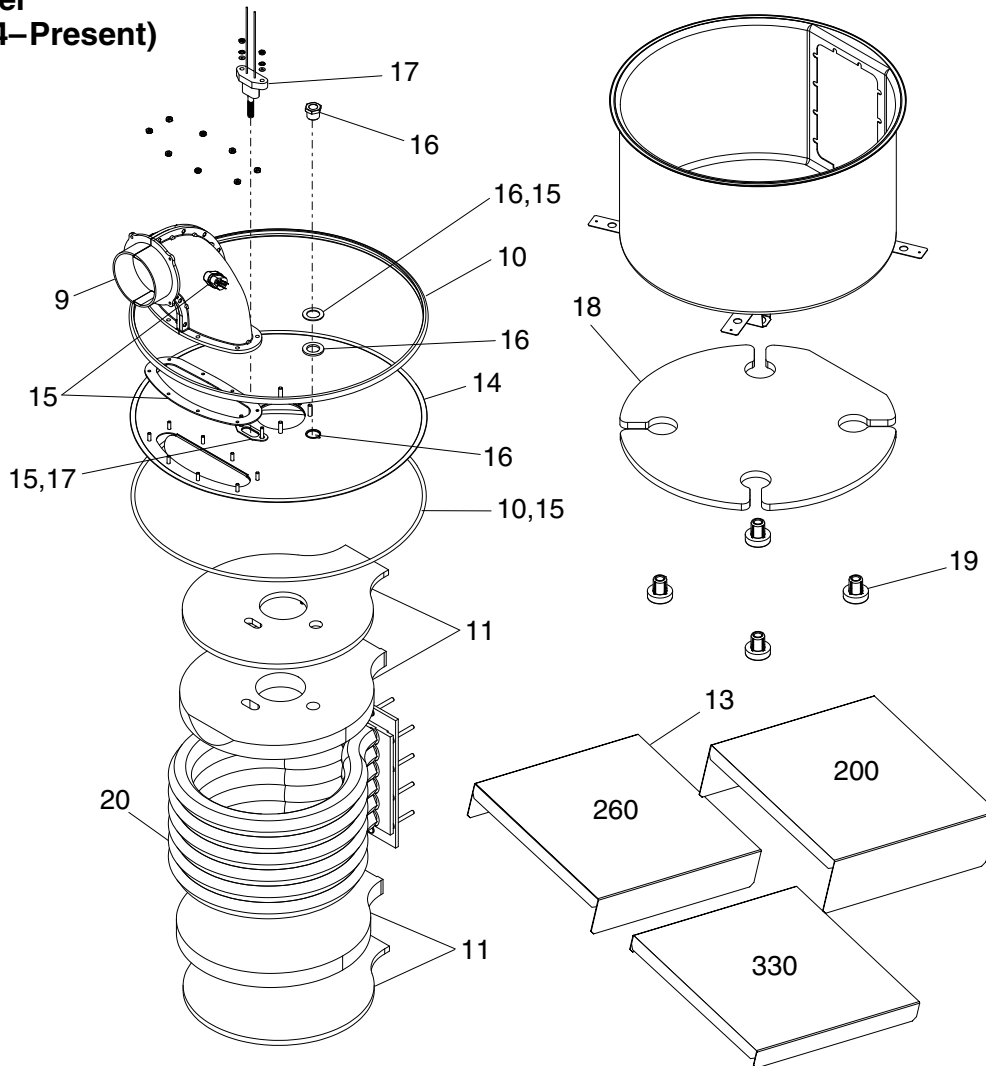
JXi™ Heater (Mfg. 2014–Present)



1
15

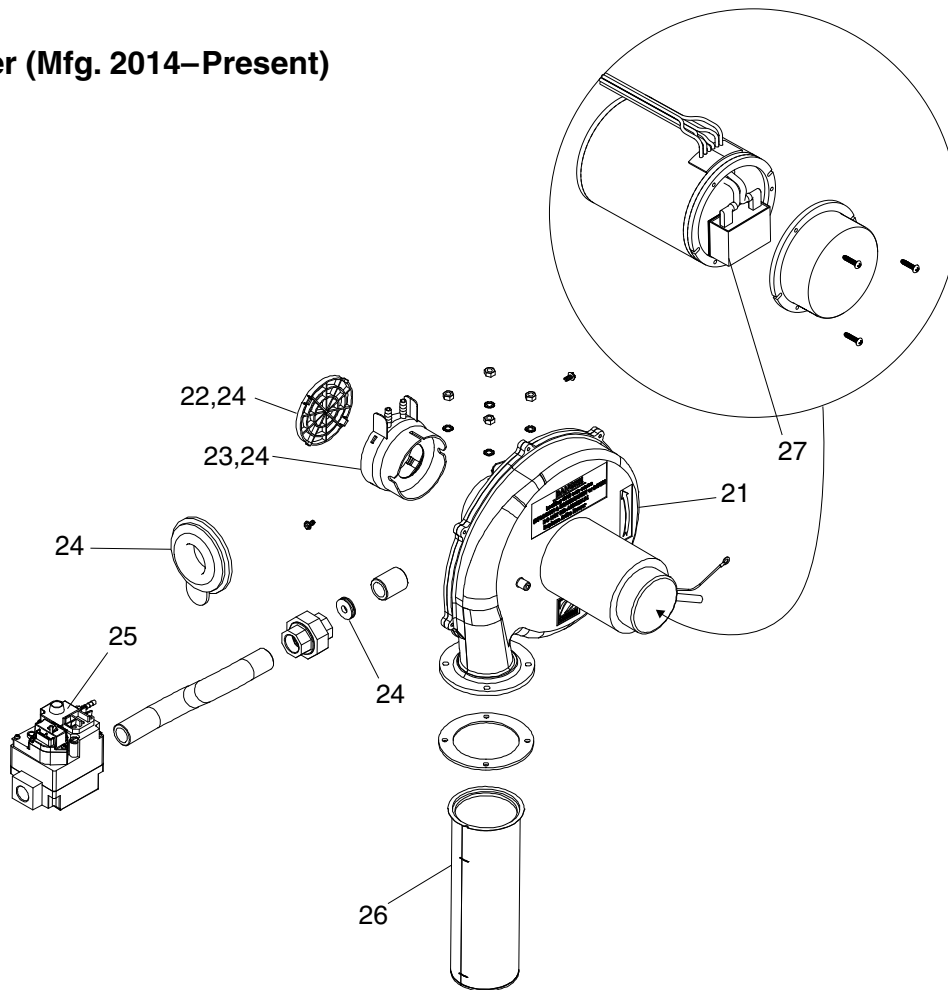
Key No.	Description	Model No.	Part No.
1	Heater Jacket Top (No User Interface)	200, 260, 400	R0592400
2	Corner Posts, Heater Jacket (Set of 4)	200, 260, 400	R0592500
3	Heater Base Replacement Kit	200, 260, 400	R0592600
4	Front/Back Panel, Heater Jacket	200, 260, 400	R0592700
5	Side Panel Kit (Set of 2)	200, 260, 400	R0592900
6	Vent Terminal Housing Kit	200, 260, 400	R0593100
	Brackets and Isolator kit	200, 260, 400	R0593200
7	Jacket HW Kit (Nuts, Screws & Clips)	200, 260, 400	R0593300
8	Anchor Brackets	200, 260, 400	R0593400
N/S	Pressure Relief Valve	200, 260, 400	R0336101

JXi™ Heater (Mfg. 2014–Present)



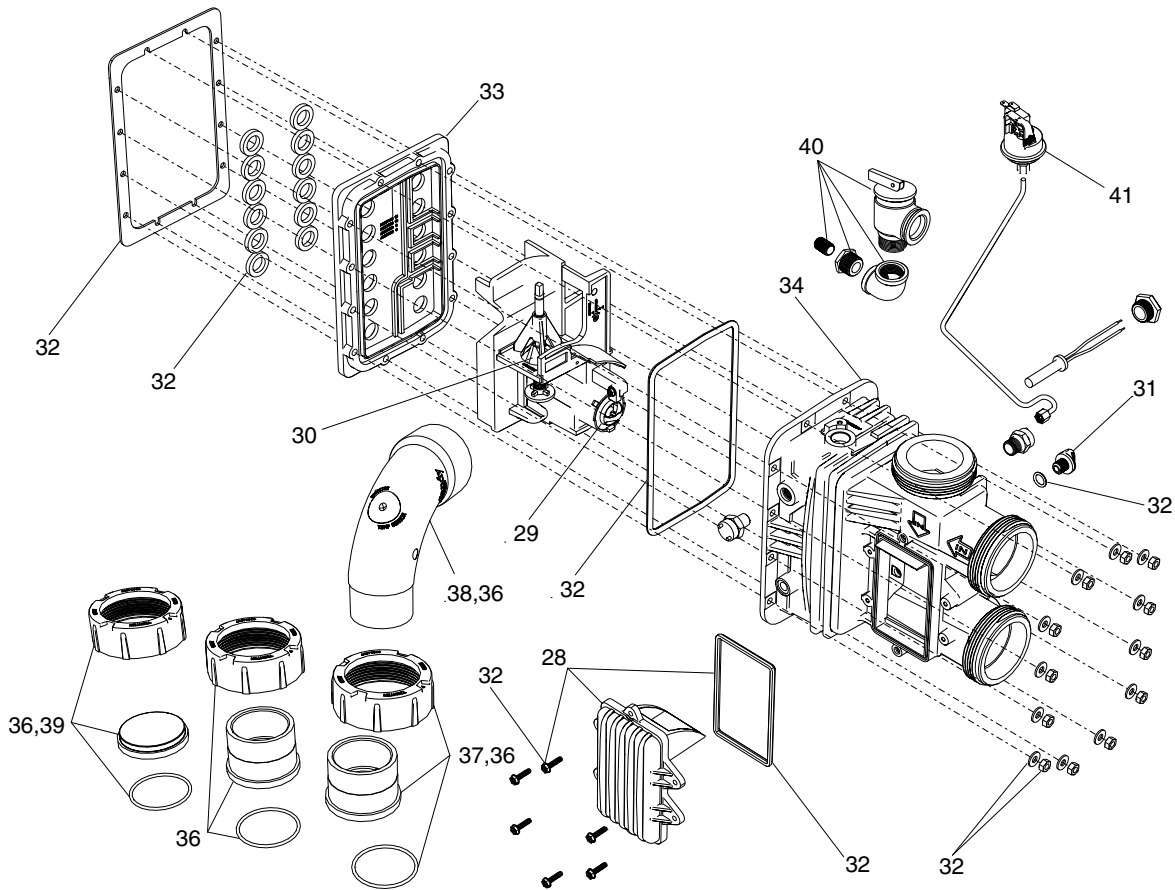
Key No.	Description	Model No.	Part No.
9	Exhaust Elbow Assembly	200, 260, 400	R0590200
10	Band clamp Replacement Kit	200, 260, 400	R0590400
11	Refractory Replacement Kit, Internal	200, 260, 400	R0590500
13	Combustion Chamber Shelf Kit	200, 260, 400	R0590700
14	Combustion Chamber Lid (Gaskets and O-rings)	200, 260, 400	R0590800
15	Gasket Kit	200, 260, 400	R0590900
16	Sight Glass Kit	200, 260, 400	R0305400
17	Ignitor Kit	200, 260, 400	R0457502
18	Refractory Replacement Kit, External	200, 260, 400	R0591000
19	Isolator Kit	200, 260, 400	R0593200
20	Heat Exchanger Tube replacement (400k)	400	R0589405
20	Heat Exchanger Tube replacement (260k)	260	R0589403
20	Heat Exchanger Tube replacement (200k)	200	R0589402

JXi™ Heater (Mfg. 2014–Present)



Key No.	Description	Model No.	Part No.
21	Blower Assembly	200, 260, 400	R0591100
22	Air Intake Grate	200, 260, 400	R0591200
23	Orifice, Blower Air Intake Lit, 200N	200	R0591302
23	Orifice, Blower Air Intake Lit, 260N	260	R0591303
23	Orifice, Blower Air Intake Lit, 400N	400	R0591305
23	Orifice, Blower Air Intake Lit, 200P	200	R0591312
23	Orifice, Blower Air Intake Lit, 260P	260	R0591313
23	Orifice, Blower Air Intake Lit, 400P	400	R0591315
24	Gas Orifice Kit, 200, NAT	200	R0591601
24	Gas Orifice Kit, 260, NAT	260	R0591602
24	Gas Orifice Kit, 400, NAT	400	R0591604
24	Gas Orifice Kit, 200, LP	200	R0591605
24	Gas Orifice Kit, 260, LP	260	R0591606
24	Gas Orifice Kit, 400, LP	400	R0591608
25	Gas Valve	200, 260, 400	R0591400
26	Burner Gas Supply System Kit, 200	200	R0591702
26	Burner Gas Supply System Kit, 260	260	R0591703
26	Burner Gas Supply System Kit, 400	400	R0591705
27	Capacitor Blower, JXi Kit	200, 260, 400	R0614500

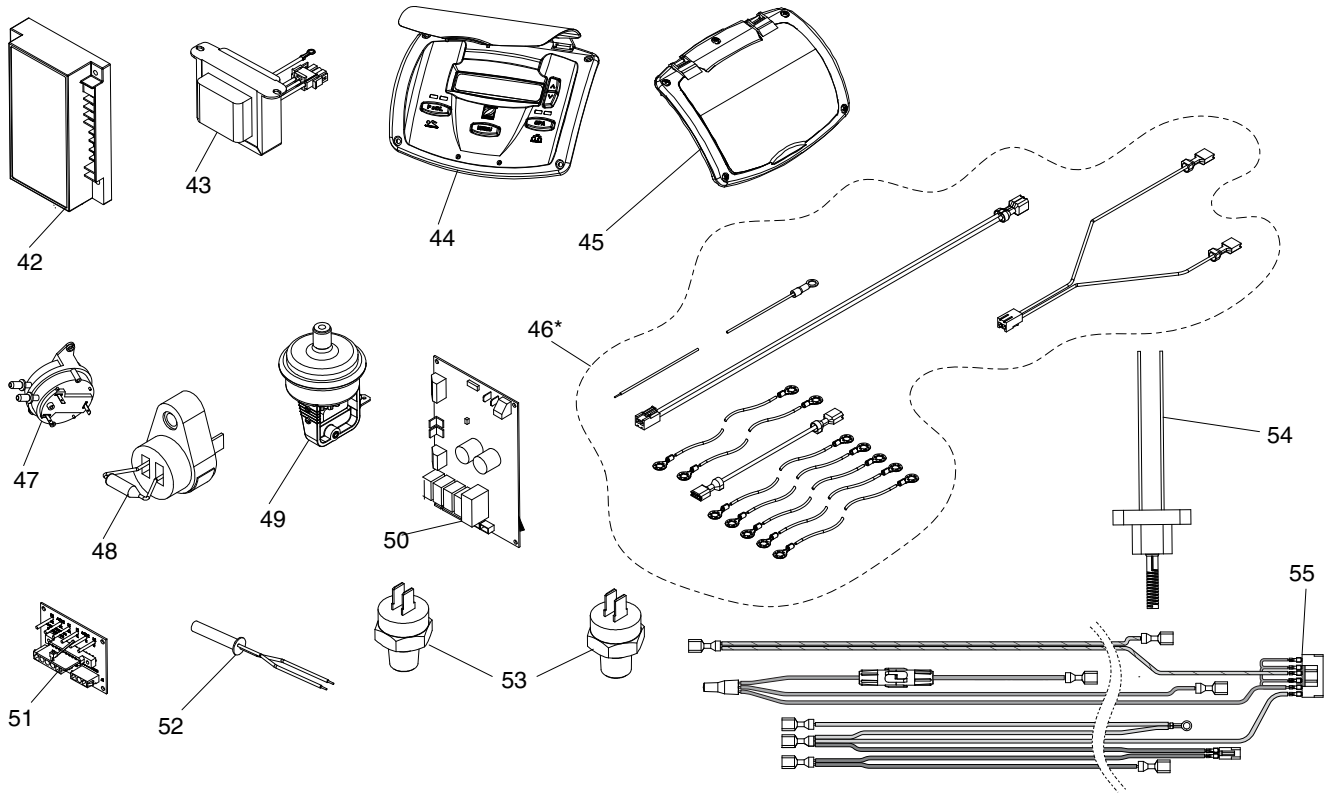
JXi™ Heater (Mfg. 2014–Present)



Key No.	Description	Model No.	Part No.
28	Access Door Kit (Door, O-ring Seal, Screws)	200, 260, 400	R0589600
29	Thermal Regulator Valve	200, 260, 400	R0589700
30	Bypass Kit (Shaft, Spring, C-clip, Poppet)	200, 260, 400	R0589800
31	Drain Plug	200, 260, 400	R0446000
32	Gasket & Seals Kit (Heater Manifold)	200, 260, 400	R0589500
33	Manifold backplate, JXi 400	400	R0590005
33	Manifold backplate, JXi 260	260	R0590003
33	Manifold backplate, JXi 200	200	R0590002
34	Manifold, Heater 3 Port (No Backplate)	200, 260, 400	R0590100
36	Goody Bag Kit†	200, 260, 400	R0593500
37	Universal Half Unions (Set of 1)	200, 260, 400	R0522900
38	Sweep Elbow Aqualink® Temp	200, 260, 400	SEAQL1001
39	Drain Cap Assembly	200, 260, 400	R0523000
40	Pressure Relief Valve JXi Replacement Kit	200, 260, 400	R0336101
41	Pressure Switch w/Siphon Loop Kit	200, 260, 400	R0457001

† Goody Bag Kit also includes the Installation and Operation Manual and the Universal Controller Quick Guide

JXi™ Heater (Mfg. 2014–Present)



Key No.	Description	Model No.	Part No.
42	Ignition Control	200, 260, 400	R0456900
43	Transformer	200, 260, 400	R0456300
44	User Interface Kit	200, 260, 400	R0591900
45	User Interface Lid Kit	200, 260, 400	R0592000
46	Wiring Harness Kit	200, 260, 400	R0592100
47	Air Pressure Switch	200, 260, 400	R0456400
48	Vent Limit Switch	200, 260, 400	R0524300
49	Water Pressure Switch Only Kit	200, 260, 400	R0013200
50	Power Center PCB	200, 260, 400	R0458100
51	Power Distribution PCB Kit	200, 260, 400	R0458200
52	Temperature Sensor Kit	200, 260, 400	R0456500
53	High Limit Temp Sensors	200, 260, 400	R0592300
54	Igniter Kit, JXi	200, 260, 400	R0457502
55	Power Interface Harness	200, 260, 400	R0457700