

WATERFALLS

Owner's Manual

	Contents
	General Warnings.....2
	Specific Warnings.....5
	Installation.....5
	Plumbing Connection.....5
	Dimensions.....6
Warranty.....7	

MODELS:				
WFSD126	WFSD126LED	WFSD246	WFSD246LED	WFSD366
WFSD366LED	WFSD369	WFSD486	WFSD486LED	WFTR060

IMPORTANT SAFETY INSTRUCTIONS

THESE PRODUCTS ARE DESIGNED FOR INSTALLATION ONLY IN CANADA

Basic safety precautions should always be followed, including the following: Failure to follow instructions can cause severe injury and/or death.

⚠ This is the safety-alert symbol. When you see this symbol on your equipment or in this manual, look for one of the following signal words and be alert to the potential for personal injury.

⚠ WARNING warns about hazards that **could** cause serious personal injury, death or major property damage and if ignored presents a potential hazard.

⚠ CAUTION warns about hazards that **will** or **can** cause minor or moderate personal injury and/or property damage and if ignored presents a potential hazard. It can also make consumers aware of actions that are unpredictable and unsafe.

The **NOTICE** label indicates special instructions that are important but not related to hazards.

Hayward Pool Products Canada, Inc.
 2880 Plymouth Drive, Oakville, Ontario L6H5R4
 Phone: (905) 829-2880
www.haywardpool.ca



HAYWARD®



⚠ WARNING - Read and follow all instructions in this owner's manual and on the equipment. Failure to follow instructions can cause severe injury and/or death.

⚠ WARNING – Suction Entrapment Hazard.

Suction in suction outlets and/or suction outlet covers which are, damaged, broken, cracked, missing, or unsecured can cause severe injury and/or death due to the following entrapment hazards:



Hair Entrapment- Hair can become entangled in suction outlet cover.



Limb Entrapment- A limb inserted into an opening of a suction outlet sump or suction outlet cover that is damaged, broken, cracked, missing, or not securely attached can result in a mechanical bind or swelling of the limb.



Body Suction Entrapment- A negative pressure applied to a large portion of the body or limbs can result in an entrapment.

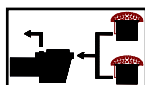
Evisceration/ Disembowelment - A negative pressure applied directly to the intestines through an unprotected suction outlet sump or suction outlet cover which is, damaged, broken, cracked, missing, or unsecured can result in evisceration/ disembowelment.



Mechanical Entrapment- There is potential for jewelry, swimsuit, hair decorations, finger, toe or knuckle to be caught in an opening of a suction outlet cover resulting in mechanical entrapment.

⚠ WARNING - To Reduce the risk of Entrapment Hazards:

- o When outlets are small enough to be blocked by a person, a minimum of two functioning suction outlets per pump must be installed. Suction outlets in the same plane (i.e. floor or wall), must be installed a minimum of three feet (3') [1 meter] apart, as measured from near point to near point.
- o Dual suction fittings shall be placed in such locations and distances to avoid “dual blockage” by a user.
- o Dual suction fittings shall not be located on seating areas or on the backrest for such seating areas.
- o The maximum system flow rate shall not exceed 6 ft/sec in the return main line.
- o Never use Pool or Spa if any suction outlet component is damaged, broken, cracked, missing, or not securely attached.
- o Replace damaged, broken, cracked, missing, or not securely attached suction outlet components immediately.
- o In addition two or more suction outlets per pump installed in accordance with latest ASME, APSP Standards and CPSC guidelines, follow all National, State, and Local codes applicable.
- o Installation of a vacuum release or vent system, which relieves entrapping suction, is recommended.



⚠ WARNING – Failure to remove pressure test plugs and/or plugs used in winterization of the pool/spa from the suction outlets can result in an increase potential for suction entrapment as described above.

⚠ WARNING – Failure to keep suction outlet components clear of debris, such as leaves, dirt, hair, paper and other material can result in an increase potential for suction entrapment as described above.

⚠ WARNING – Suction outlet components have a finite life, the cover/grate should be inspected frequently and replaced at least every ten years or if found to be damaged, broken, cracked, missing, or not securely attached.

⚠ CAUTION – Components such as the filtration system, pumps and heater must be positioned so as to prevent their being used as means of access to the pool by young children. To reduce risk of injury, do not permit children to use or climb on this product. Closely supervise children at all times. Components such as the filtration system, pumps, and heaters must be positioned to prevent children from using them as a means of access to the pool.



⚠ WARNING – Hazardous Pressure. Pool and spa water circulation systems operate under hazardous pressure during start up, normal operation, and after pump shut off. Stand clear of circulation system equipment during pump start up. Failure to follow safety and operation instructions could result in violent separation of the pump housing and cover, and/or filter housing and clamp due to pressure in the system, which could cause property damage, severe personal injury, or death. Before servicing pool and spa water circulation system, all system and pump controls must be in off position and filter manual air relief valve must be in open position. Before starting system pump, all system valves must be set in a position to allow system water to return back to the pool. Do not change filter control valve position while system pump is running. Before starting system pump, fully open filter manual air relief valve. Do not close filter manual air relief valve until a steady stream of water (not air or air and water) is discharged.



⚠ WARNING – Separation Hazard. Failure to follow safety and operation instructions could result in violent separation of pump and/or filter components. Strainer cover must be properly secured to pump housing with strainer cover lock ring. Before servicing pool and spa circulation system, filters manual air relief valve must be in open position. Do not operate pool and spa circulation system if a system component is not assembled properly, damaged, or missing. Do not operate pool and spa circulation system unless filter manual air relief valve body is in locked position in filter upper body. **Never operate or test the circulation system at more than 50 PSI. Do not purge the system with compressed air.** Purging the system with compressed air can cause components to explode, with risk of severe injury or death to anyone nearby. Use only a low pressure (below 5 PSI), high volume blower when air purging the pump, filter, or piping.



HAYWARD®



⚠ WARNING – Risk of Electric Shock. All electrical wiring MUST be in conformance with applicable local codes, regulations, and the Canadian Electrical Code, ANSI/NFPA70). Hazardous voltage can shock, burn, and cause death or serious property damage. To reduce the risk of electric shock, do NOT use an extension cord to connect unit to electric supply. Provide a properly located electrical receptacle. Before working on any electrical equipment, turn off power supply to the equipment. To reduce the risk of electric shock replace damaged wiring immediately. Locate conduit to prevent abuse from lawn mowers, hedge trimmers and other equipment. Do NOT ground to a gas supply line.

⚠ WARNING – Risk of Electric Shock Failure to ground all electrical equipment can cause serious or fatal electrical shock hazard. Electrical ground all electrical equipment before connecting to electrical power supply.

⚠ WARNING – Risk of Electric Shock Failure to bond all electrical equipment to pool structure will increase risk for electrocution and could result in injury or death. To reduce the risk of electric shock, see installation instructions and consult a professional electrician on how to bond all electrical equipment. Also, contact a licensed electrician for information on local electrical codes for bonding requirements.

Notes to electrician: Use a solid copper conductor, size 6 or larger. Run a continuous wire from external bonding lug to reinforcing rod or mesh. Connect a No. 6 AWG (13.3 mm²) solid copper bonding wire to the pressure wire connector provided on the electrical equipment and to all metal parts of swimming pool, spa, or hot tub, and metal piping (except gas piping), and conduit within 5 ft. (1.5 m) of inside walls of swimming pool, spa, or hot tub.

IMPORTANT - Reference Canadian Electrical Code, ANSI/NFPA70 codes for all wiring standards including, but not limited to, grounding, bonding and other general wiring procedures.

⚠ CAUTION – HAYWARD® pumps are intended for use with permanently-installed pools and may be used with hot tubs and spas if so marked. Do not use with storable pools. A permanently-installed pool is constructed in or on the ground or in a building such that it cannot be readily disassembled for storage. A storable pool is constructed so that it is capable of being readily disassembled for storage and reassembled to its original integrity.

⚠ WARNING – Risk of Hyperthermia. To avoid hyperthermia the following “Safety Rules for Hot Tubs” are recommended by the U.S. Consumer Product Safety Commission.

1. Spa or hot tub water temperatures should never exceed 104°F [40°C]. A temperature of 100°F [38°C] is considered safe for a healthy adult. Special caution is suggested for young children. Prolonged immersion in hot water can induce hyperthermia.
2. Drinking of alcoholic beverages before or during spa or hot tub use can cause drowsiness, which could lead to unconsciousness and subsequently result in drowning.
3. Pregnant women beware! Soaking in water above 100°F [38°C] can cause fetal damage during the first three months of pregnancy (resulting in the birth of a brain-damaged or deformed child). Pregnant women should adhere to the 100°F [38°C] maximum rule.
4. Before entering the spa or hot tub, users should check the water temperature with an accurate thermometer; spa or hot tub thermostats may err in regulating water temperatures by as much as 4°F (2.2°C).
5. Persons taking medications, which induce drowsiness, such as tranquilizers, antihistamines or anti-coagulants, should not use spas or hot tubs.
6. If the pool/spa is used for therapy, it should be done with the advice of a physician. Always stir pool/ spa water before entering the pool/spa to mix in any hot surface layer of water that might exceed healthful temperature limits and cause injury. Do not tamper with controls, because scalding can result if safety controls are not in proper working order.
7. Persons with a medical history of heart disease, circulatory problems, diabetes or blood pressure problems should obtain a physician’s advice before using spas or hot tubs.
8. Hyperthermia occurs when the internal temperature of the body reaches a level several degrees above normal body temperature of 98.6°F [37°C]. The symptoms of Hyperthermia include: drowsiness, lethargy, dizziness, fainting, and an increase in the internal temperature of the body.

The effects of Hyperthermia include:

1. Unawareness of impending danger.
2. Failure to perceive heat.
3. Failure to recognize the need to leave the spa.
4. Physical inability to exit the spa.
5. Fetal damage in pregnant women.
6. Unconsciousness resulting in danger of drowning.

SAVE THESE INSTRUCTIONS



HAYWARD®

SPECIFIC WARNINGS FOR MODELS WFSD246LED, WFSD366LED, and WSFD486LED

- ▲ **WARNING –Risk of Electrical Shock**, Opening the LED light section will increase risk for electrocution and could result in injury or death. To reduce the risk of electric shock, do not open the LED light section. The light has no user serviceable parts inside.
- ▲ **WARNING – Risk of Electric Shock** . The electrical equipment must be connected only to a supply circuit that is protected by a ground-fault circuit-interrupter (GFCI). Such a GFCI should be provided by the installer and should be tested on a routine basis. To test the GFCI, push the test button. The GFCI should interrupt power. Push reset button. Power should be restored. If the GFCI fails to operate in this manner, the GFCI is defective. If the GFCI interrupts power to the electrical equipment without the test button being pushed, a ground current is flowing, indicating the possibility of an electrical shock. Do not use this electrical equipment. Disconnect the electrical equipment and have the problem corrected by a qualified professional before using.
- ▲ **WARNING –Risk of Electrical Shock**, Use of any transformer other than the original model supplied with this unit will increase risk for electrocution and could result in injury or death. To reduce the risk of electric shock, do not use anything other than the OEM transformer.
- ▲ **WARNING –Risk of Electrical Shock**, Use of any extension cord will increase risk for electrocution and could result in injury or death. Do Not use extension cords on this unit.

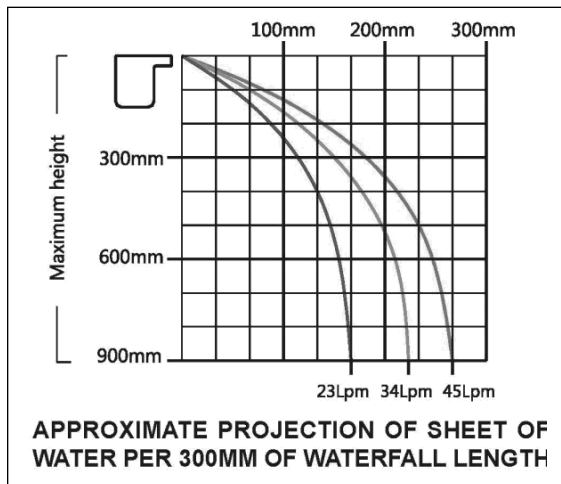
INSTALLATION INSTRUCTIONS:

Read through the instructions entirely, before beginning installation.

NOTICE: This waterfall unit, including the electrical components, includes no serviceable parts. In the event of a product failure, the entire unit must be removed and replaced.

IMPORTANT: Lay waterfall on flat surface in the original packaging until ready to install. Do not remove grout guard until the installation is complete. This guard will protect the waterfall opening from damage. Protect the unit from direct sunlight until unit is installed.

See the chart below for the approximate projection of the waterfall. Use this chart in planning the layout of your waterfall.



PREPARATION AND BOND BEAM NOTCHING:

FOR CONCRETE INSTALLATIONS: During the rebar installation, allow an offset of 100mm below the top of the frame that extends the length plus 50mm of the waterfall.

Notch the beam 100mm below the top surface for the width plus 25mm of the waterfall.

FOR VINYL/FIBERGLASS INSTALLATIONS: Construct block to allow 100mm below the top surface for the width plus 25mm of the waterfall.

WATERFALL INSTALLATION:

Use bender board, or similar material, to create a level surface to rest the lip on. Tack bender board in place approximately 16mm below the coping.

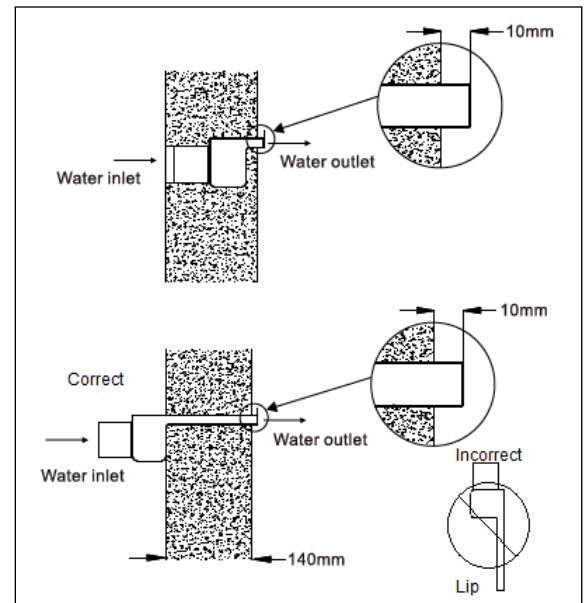
Prior to placement of waterfall, ensure that the orientation of the waterfall is correct. Do not point lip downwards. Refer to Figure below.

Create cement mortar bed in the bottom of the notch as a base for the waterfall. Set the waterfall in the bed while maintaining a minimum of 25 mm extending beyond the unfinished pool wall. Note: lip must extend a minimum of 10mm beyond the finished pool wall. Press into place and level.

Apply a minimum of 12mm of cement mortar to the top and sides of the waterfall. Remove any excess cement on the pool side of the waterfall.

Remove bender board after installing coping.

After final installation, including all plastering, remove the grout guard.



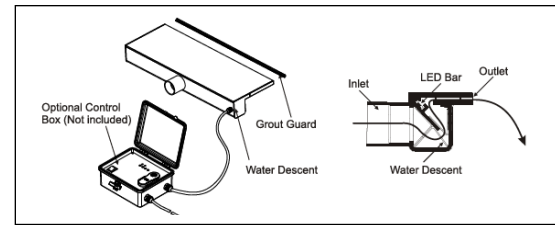
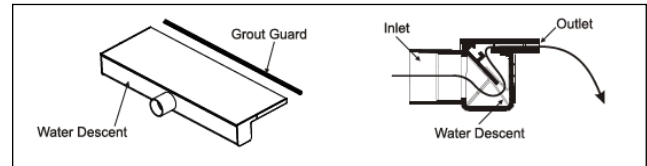
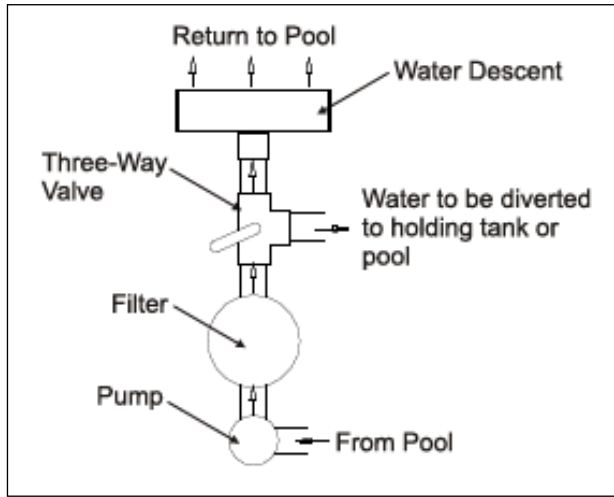
PUMP SIZING:

In general the waterfall requires .15 l/min per mm of width. For example, the 200 mm waterfall requires approximately 30 Liters per minute to produce a wall of water. Ratios of flow apply, as can be seen on chart on page 4.

PLUMBING CONNECTIONS:

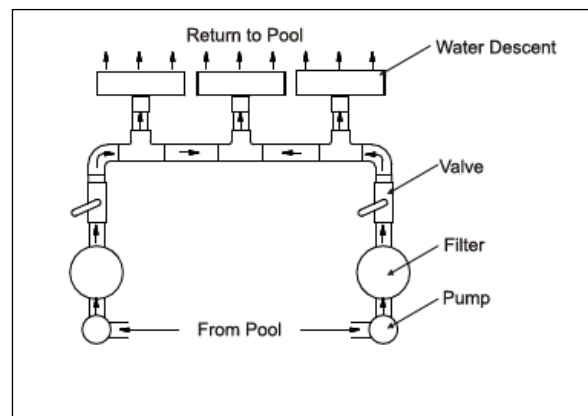
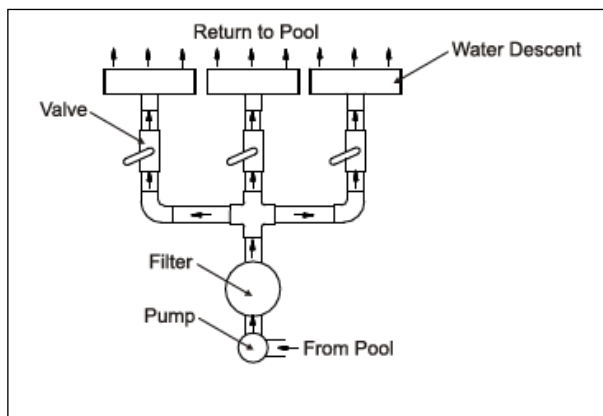
The back of the Waterfall fitting is a 1 1/2" US standard pipe socket.

The most common installation of the waterfall is utilizing the main pool pump. A three way valve is installed as illustrated below.



NOTICE: Only filtered water should be used with this product. Clogging within the product can occur if the water is not properly filtered.

For multiple waterfalls Hayward recommends that individual valves be installed to allow balance the flow.

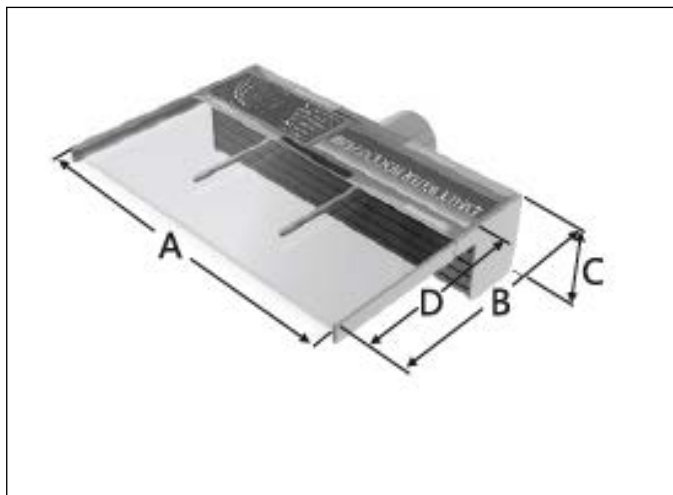


Two pumps can be connected to multiple waterfall fittings: This is the recommended installation when more than 1800mm of waterfall is installed.

NOTICE: Only filtered water should be used with this product. As noted in the figures above when a separate pump is installed an additional properly sized filter is required between the pump and the waterfall.

If waterfall flow rate exceeds more than 40% of the filtered flow, a separate pump and filter system are recommended.

2" Plumbing or larger is recommended from the pump and filter to the waterfalls, if more than 1500mm of waterfall length is installed.



MODEL NO.	A(mm)	B(mm)	C(mm)	D(mm)	LED
WFSD126LED	306	263	76	150	4W 12VDC
WFSD246LED	606	263	76	150	8W 12VDC
WFSD366LED	906	263	76	150	12W 12VDC
WFD486LED	1206	263	76	150	17W 12VDC
WFSD126	306	263	76	150	
WFSD246	606	263	76	150	
WFSD366	906	263	76	150	
WFSD486	1206	263	76	150	

FREEZE PROTECTION and WINTERIZING:

To prevent system damage due to freezing, the plumbing to the waterfalls must be installed such that water drains easily. The waterfalls have been designed to allow a minimum of water to remain in the unit, if the plumbing is installed such that the plumbing drains. It is recommended that normal procedures for winterizing be followed, and all pipes including those to the waterfall, be winterized.



HAYWARD®

HAYWARD® Pool Products Canada, Inc. Limited Warranty

To original purchasers of this equipment, Hayward Pool Products Canada warrants its WATERFALLS and POWER SUPPLY to be free from defects in materials and workmanship for a period of ONE (1) year from the date of purchase, when used in single family residential applications.

The limited warranty excludes damage from freezing, negligence, improper installation, improper use or care or any Acts of God. Parts that fail or become defective during the warranty period shall be repaired or replaced, at our option, within 90 days of the receipt of defective product, barring unforeseen delays, without charge.

Proof of purchase is required for warranty service. In the event proof of purchase is not available, the manufacturing date of the product will be the sole determination of the purchase date.

To obtain warranty service, please contact the place of purchase or the nearest Hayward Authorized Service Center. For assistance on your nearest Hayward Authorized Service Center please visit us at www.haywardpool.ca.

Hayward shall not be responsible for cartage, removal, repair or installation labor or any other such costs incurred in obtaining warranty replacements or repair.

The Hayward Pool Products Canada warranty does not apply to components manufactured by others. For such products, the warranty established by the respective manufacturer will apply.

The express limited warranty above constitutes the entire warranty of Hayward Pool Products with respect to its' pool products and is in lieu of all other warranties expressed or implied, including warranties of merchantability or fitness for a particular purpose. In no event shall Hayward Pool Products Canada be responsible for any consequential, special or incidental damages of any nature.

Hayward Pool Products Canada
2880 Plymouth Drive
Oakville, Ontario

*Supersedes all previous publications.

IMPORTANT SAFETY INSTRUCTIONS – WFTRo6o -6oW 12VDC Power supply.

When using electrical products, basic precautions should always be practiced including the following:

▲ READ AND FOLLOW ALL SAFETY INSTRUCTIONS.

1. Read and follow all instructions that are on the product or provided with the product.
2. For a cord-connected or direct plug-in power unit, do not use an extension cord.
3. Reference the Canadian Electrical Code, ANSI/NFPA 70, specifically for the installation of wiring and clearances from power and lighting conductors. Locate electrical cord to prevent abuse from lawn mowers, hedge trimmers and other equipment.
4. Installation work and electrical wiring must be done by qualified professional in accordance with all applicable codes and standards, including fire-rated construction.
5. For a cord-connected or direct plug-in power unit, do not install or use within 10 feet of a pool.
6. For a cord-connected or direct plug-in unit, do not use in a bathroom.
7. For a direct plug-in or cord-connected power unit marked in accordance with following:
 - a) For a permanently connected power unit:

▲ WARNING: Risk of Electric Shock. Install only on a circuit protected by a Class A GFCI.

b) For a cord connected or direct plug-in power unit:

▲ WARNING: Risk of Electric Shock. Install only to a covered Class A GFCI receptacle that has an enclosure that is weatherproof with the attachment plug cap inserted or removed.

▲ WARNING: Risk of Electric Shock. When used outdoors, install only to a covered Class A GFCI protected receptacle that is weatherproof with the power unit connected to the receptacle. If one is not provided, contact a qualified electrician for proper installation. Ensure that the power unit is installed properly.

▲ WARNING: Risk of Fire. Installation involves special wiring methods to run wiring through a building structure. Consult a qualified electrician.

8. For a unit intended to be mounted greater than 0.30 m (1 foot) from the ground surface:

▲ WARNING: Risk of Electric Shock. Mount the unit at a height greater than 1 foot from the ground surface.

▲ WARNING: For direct plug-in units. Do not to use with receptacles that are weatherproof only when the receptacle is covered.

See Illustration Below:





PRODUCT REGISTRATION

(Retain For Your Records)

DATE OF INSTALLATION _____

▲ Retain this Warranty Certificate (upper portion) in a safe and convenient location for your records.



DETACH HERE: Fill out bottom portion completely and mail within 10 days of purchase/installation or register online.

WATERFALL FEATURE & Power Supply

Warranty Card Registration

Register online at www.haywardpool.ca

Please Print Clearly:

First Name _____ Last Name _____

Street Address _____

City _____ State _____ Zip _____

Phone Number _____ Purchase Date _____

E-Mail Address _____

Numéro de série _____

Model Number _____

Pool Capacity _____ (U.S. Gallons)

If your product contains components that have individual serial numbers, it is not necessary to complete warranty registration for those individual components. Instead, complete warranty registration only for the overall product, using the serial number that is located on the outside of the product packaging.

Please include me on all e-mail communications regarding Hayward® Equipment or promotions.

Mail to:

Hayward Pool Products Canada, Inc., 2880 Plymouth Dr., Oakville, Ontario L6H 5R4

Attn: Warranty Dept

Or REGISTER YOUR WARRANTY ON-LINE AT WWW.HAYWARDPOOL.CA



Hayward is a registered trademark of Hayward Industries, Inc.
© 2015 Hayward Industries, Inc.

Years Pool has been in service
 < 1 year 1-3 4-5 6-10 11-15 >15

Purchased from _____
 Builder Retailer Pool Service Internet/Catalog

Company Name _____
 Address _____
 City _____ State _____ Zip _____
 Phone _____

Type of Pool:
 Concrete/Gunite Vinyl Fiberglass
 Other _____

New Installation Replacement

Installation for:
 In Ground Above Ground Spa

CASCADES D'EAU

Guide d'utilisation



Table des matières

Avertissements généraux.....	2
Avertissements particuliers.....	5
Installation.....	5
Raccordement de la tuyauterie.....	6
Dimensions.....	6
Garantie.....	10

N° du modèle				
WFSD126	WFSD126LED	WFSD246	WFSD246LED	WFSD366
WFSD366LED	WFSD369	WFSD486	WFSD486LED	WFTR060

CONSIGNES DE SÉCURITÉ IMPORTANTES

CES PRODUITS SONT CONÇUS POUR ÊTRE INSTALLÉS SEULEMENT AU CANADA

Les mesures de sécurité de base doivent toujours être respectées. Le non-respect des consignes peut entraîner de graves blessures ou la mort.

⚠ Ceci est le symbole d'avertissement. Lorsque vous voyez ce symbole sur votre appareil ou dans ce guide, il sera accompagné de l'un ou l'autre des mots suivants. Soyez conscient du risque potentiel de blessures corporelles.

⚠ AVERTISSEMENT vous indique qu'il **pourrait** y avoir un risque de graves blessures corporelles, de mort ou de dommages matériels importants et, si la consigne est ignorée, qu'il y a un risque potentiel.

⚠ MISE EN GARDE vous indique qu'il y a ou qu'il **pourrait** y avoir un risque de blessures corporelles ou de dommages matériels mineurs ou modérés et, si la consigne est ignorée, qu'il y a un risque potentiel. Ce symbole informe également le consommateur au sujet d'actions qui sont imprévisibles et non sécuritaires.

La mention **AVIS** fournit des consignes particulières qui sont importantes, mais qui ne sont pas reliées à des risques.

Hayward Pool Products Canada, Inc.
 2880 Plymouth Drive, Oakville, Ontario L6H5R4
 Phone: (905) 829-2880
www.haywardpiscine.ca



HAYWARD®



AVERTISSEMENT – Lisez, comprenez et suivez toutes les instructions décrites dans ce guide d'utilisation ainsi que celles indiquées sur l'appareil. Le non-respect des instructions pourrait entraîner de graves blessures ou la mort.

⚠ AVERTISSEMENT – Risque de piégeage par aspiration.

L'aspiration dans les sorties d'aspiration et/ou les couvercles de sorties d'aspiration qui sont endommagés, brisés, fissurés, manquants ou fixés de façon non sécuritaire peut causer de graves blessures et/ou la mort à cause des risques de piégeage suivants :



Piégeage des cheveux – Les cheveux peuvent s'entremêler dans le couvercle d'une sortie d'aspiration.

Piégeage d'un membre – Un membre inséré dans l'ouverture d'une sortie d'aspiration ou dans le couvercle d'une sortie d'aspiration qui est endommagé, brisé, fissuré, manquant ou fixé de façon non sécuritaire peut causer de l'enflure ou le coincement mécanique d'un membre.



Piégeage du corps par aspiration – Une pression négative appliquée sur une grande partie du corps ou des membres peut causer le piégeage.



Éviscération/Éventrement – Une pression négative appliquée directement sur les intestins en raison de l'ouverture non protégée d'une sortie d'aspiration ou du couvercle d'une sortie d'aspiration qui est endommagé, brisé, fissuré, manquant ou fixé de façon non sécuritaire peut entraîner l'éviscération ou l'éventrement.



Piégeage mécanique – Il est possible qu'un bijou, un maillot de bain, une décoration de cheveux, un doigt, un orteil ou une jointure se coince dans l'ouverture d'une sortie d'aspiration ce qui pourrait conduire au piégeage mécanique.

⚠ AVERTISSEMENT – Pour réduire les risques de piégeage :

- Lorsque les sorties sont assez petites de sorte qu'une personne puisse les bloquer, au moins deux sorties d'aspiration doivent être installées. Une distance minimale de 1 m (3 pieds), mesurée entre les deux points les plus rapprochés, doit séparer les sorties d'aspiration situées sur une même paroi (mur ou fond).
- Deux sorties d'aspiration doivent être installées dans des endroits et séparées par des distances qui ne permettent pas à un utilisateur de les bloquer.
- Deux sorties d'aspiration ne doivent pas être installées sur les places assises ou sur le dossier des places assises.
- Le débit maximal dans un système ne doit pas dépasser les valeurs indiquées sur le couvercle de la sortie d'aspiration.
- N'utilisez jamais la piscine ou le spa si l'une des composantes d'une sortie d'aspiration est endommagée, brisée, fissurée, manquante ou fixée de façon non sécuritaire.
- Remplacez immédiatement toute composante d'une sortie d'aspiration qui est endommagée, brisée, fissurée, manquante ou fixée de façon non sécuritaire.
- De plus, deux sorties d'aspiration sont nécessaires pour chacune des pompes installées conformément aux plus récentes normes de l'ASME et de l'APSP et aux directives du CPSC. Suivez également tous les codes nationaux, provinciaux, territoriaux et locaux applicables.
- L'installation d'un casse-vide ou d'un circuit de mise à l'air libre qui libère la force d'aspiration est recommandée.

⚠ AVERTISSEMENT – Omettre de retirer les bouchons pour essais de pression et/ou les bouchons utilisés lors de l'aménagement hivernal des sorties d'aspiration peut augmenter le risque de piégeage par aspiration, comme décrit précédemment.

⚠ AVERTISSEMENT – Omettre de garder les sorties d'aspiration libres de débris, tels que feuilles, saletés, cheveux, papiers ou autres peut augmenter le risque de piégeage par aspiration, comme décrit précédemment.

⚠ AVERTISSEMENT – Les composantes des sorties d'aspiration ont une durée de vie utile limitée. Le couvercle et la grille doivent être inspectés régulièrement et remplacés au moins tous les sept ans ou lorsqu'ils sont endommagés, brisés, fissurés, manquants ou fixés de façon non sécuritaire.

⚠ MISE EN GARDE – Les composantes, telles que le système de filtration, les pompes et le chauffe-piscine doivent être placés de sorte qu'elles ne permettent pas à de jeunes enfants d'avoir accès à la piscine. Pour réduire le risque de blessures, ne permettez pas aux enfants d'utiliser ou de grimper sur cet appareil. En tout temps, supervisez de près les enfants. Les composantes, telles que le système de filtration, les pompes et les chauffe-piscines doivent être placés de sorte qu'elles ne permettent pas aux enfants d'avoir accès à la piscine.



⚠ AVERTISSEMENT – Pression dangereuse. Le système de circulation d'eau d'une piscine ou d'un spa fonctionne sous des pressions dangereuses lors du démarrage, du fonctionnement normal et après l'arrêt de la pompe. N'approchez pas de l'appareil associé au système de circulation au moment du démarrage de la pompe. À cause de la pression dans le système, le non-respect des instructions de fonctionnement et consignes de sécurité peut provoquer la séparation violente du boîtier de la pompe et de son couvercle et/ou du boîtier du filtre et de son anneau de retenue ce qui peut causer des dommages matériels et de graves blessures ou la mort. Avant de procéder à l'entretien du système de circulation de l'eau d'une piscine ou d'un spa, les commandes du système de circulation et de la pompe doivent être en position « OFF » et la vanne manuelle de mise à l'air libre du filtre ouvert. Avant de démarrer la pompe du système, toutes les vannes du système doivent être réglées à une position qui permet à l'eau de retourner vers la piscine. Ne changez pas la position de la vanne de commande de la pompe alors que la pompe fonctionne. Avant de démarrer la pompe du système, ouvrez complètement la vanne manuelle de mise à l'air libre du filtre. Ne fermez pas la vanne manuelle de mise à l'air libre du filtre avant qu'un jet d'eau continu ne circule (pas d'air ou un mélange d'air et d'eau).



HAYWARD®



⚠ AVERTISSEMENT – Risque de séparation. Le non-respect des instructions de fonctionnement et consignes de sécurité peut provoquer la séparation violente des composantes de la pompe et/ou du filtre. Le couvercle de la crépine doit être fixé adéquatement au boîtier de la pompe à l'aide de l'anneau de retenue du couvercle de la crépine. Avant de procéder à l'entretien du système de circulation de l'eau de la piscine ou du spa, la vanne manuelle de mise à l'air libre doit être ouverte. Ne faites pas fonctionner le système de circulation de l'eau de la piscine ou du spa si l'une ou l'autre des composantes n'est pas assemblée de façon adéquate ou est endommagée ou manquante. **Ne jamais faire fonctionner ou vérifier le système de circulation alors que la pression est supérieure à 50 psi. Ne purgez pas le système avec de l'air comprimé.** La purge du système avec de l'air comprimé peut causer l'explosion de certaines composantes et entraîner de graves blessures ou même la mort de toute personne à proximité. Utilisez seulement un ventilateur à basse pression (moins de 5 psi) et à haut volume lorsque vous purgez une pompe, le filtre ou la tuyauterie avec de l'air comprimé.



⚠ AVERTISSEMENT – Risque de choc électrique. Tout le câblage électrique DOIT être conforme aux codes et règlements locaux applicables et au Code canadien de l'électricité (CCE). Une tension dangereusement élevée peut causer un choc électrique, des brûlures ainsi que la mort ou d'importants dommages matériels. Pour réduire le risque de choc électrique, N'UTILISEZ PAS de rallonge électrique pour raccorder l'appareil à la source d'alimentation. Assurez-vous que la prise de courant est bien située. Coupez l'alimentation électrique avant de travailler sur un appareil sous tension. Remplacez immédiatement tout câble endommagé afin de réduire le risque de choc électrique. Localisez le conduit de câbles afin de ne pas l'endommager avec la tondeuse, le taille-haie ou tout autre appareil. Ne raccordez PAS le fil de mise à la terre à une conduite de gaz.

⚠ AVERTISSEMENT – Risque de choc électrique. Négliger de mettre à la terre tout appareil électrique peut engendrer un risque de choc électrique grave, même mortel. Tout appareil électrique doit être mis à la terre avant d'être raccordé à l'alimentation électrique.

⚠ AVERTISSEMENT – Risque de choc électrique. Négliger de lier tout appareil électrique à la structure de la piscine augmente le risque de décharge électrique qui pourrait causer des blessures ou la mort. Pour réduire le risque de choc électrique, lisez les instructions d'installation et consultez un électricien quant à la façon de lier tout appareil électrique. Consultez également un électricien pour connaître les exigences des codes électriques locaux en matière de liaison de l'appareil.

Remarques aux électriciens : Utilisez un conducteur de cuivre continu de 8 AWG ou plus. Raccordez un fil continu entre la cosse de mise à la terre et une barre ou un treillis d'armature. Raccordez un fil de liaison de cuivre continu de 8 AWW (8,4 mm²) [au Canada 6 AWG (13,3 mm²)] au connecteur de fil à pression présent sur l'appareil électrique et toutes pièces de métal de la piscine, du spa et aux conduites de métal (sauf les conduites de gaz) dans un rayon de 1,5 m (5 pi) des murs intérieurs de la piscine ou du spa.

IMPORTANT – Consultez les codes du CCE pour toutes les normes en matière de câblage y compris, mais sans s'y limiter, la mise à la terre, la liaison et autres procédures générales de câblage.

⚠ AVERTISSEMENT – Risque de choc électrique. L'appareil électrique doit être raccordé uniquement à un circuit d'alimentation protégé par un disjoncteur de fuite à la terre (GFCI). Le disjoncteur de fuite à la terre doit être fourni par l'installateur et doit être testé régulièrement. Pour tester le disjoncteur, appuyez sur le bouton « Test ». Le disjoncteur de fuite à la terre doit couper le courant. Appuyez ensuite sur le bouton « Reset ». L'alimentation électrique devrait être rétablie. Si le disjoncteur ne fonctionne pas de cette façon, il est défectueux. Si le disjoncteur de fuite à la terre coupe le courant sans que le bouton « Test » ait été appuyé, un courant à la terre circule; il y a donc possibilité de choc électrique. N'utilisez pas cet appareil. Déconnectez cet appareil électrique et confiez la réparation à un représentant qualifié avant de l'utiliser.

⚠ MISE EN GARDE – Les pompes HAYWARD^{MD} sont conçues pour fonctionner avec des piscines installées de façon permanente et peuvent également être utilisées avec un spa, lorsque cela est indiqué. N'utilisez pas cet appareil avec une piscine démontable. Une piscine installée de façon permanente est construite sur ou dans le sol ou dans un édifice de sorte qu'elle ne peut pas être démontée et entreposée facilement. Une piscine démontable est construite pour être démontée et entreposée facilement et ensuite être réinstallée en reprenant sa forme d'origine.

⚠ AVERTISSEMENT – Risque d'hyperthermie. Afin d'éviter l'hyperthermie, les « Règles de sécurité pour les spas » qui suivent sont recommandées par le Consumer Product Safety Commission des États-Unis :

1. La température de l'eau d'un spa ne devrait jamais dépasser 40 °C (104 °F). Une température de 38 °C (100 °F) est considérée comme étant sécuritaire pour un adulte en santé. On recommande de faire preuve de prudence dans le cas des jeunes enfants. Une immersion prolongée dans l'eau chaude peut causer de l'hyperthermie.
2. La consommation de boissons alcoolisées avant ou pendant l'utilisation d'un spa peut entraîner des étourdissements qui peuvent causer une perte de conscience et mener à une noyade.
3. Les femmes enceintes doivent être prudentes! Tremper dans une eau à une température excédant 38 °C (100 °F) peut avoir des effets nocifs sur le fœtus dans les trois premiers mois de la grossesse (pouvant entraîner la naissance d'un enfant déformé ou atteint de lésion cérébrale). Les femmes enceintes devraient respecter la règle fixant la température maximale à 38 °C (100 °F).
4. Avant d'entrer dans le spa, les utilisateurs devraient vérifier la température de l'eau à l'aide d'un thermomètre précis; la régulation de la température par le thermostat d'un spa peut être erronée de 2,2 °C (4 °F).
5. Les personnes qui prennent des médicaments qui causent de la somnolence comme les tranquillisants, les antihistaminiques ou les anticoagulants ne devraient pas utiliser le spa.
6. Si la piscine ou le spa sont utilisés dans le cadre d'un traitement, l'utilisation devrait se faire selon les



HAYWARD®

recommandations d'un médecin. Agitez toujours l'eau de la piscine ou du spa avant d'y entrer afin de mélanger l'eau en surface qui est plus chaude et qui pourrait excéder les limites de températures saines et entraîner des blessures. N'altérez pas les boutons de commande, puisque vous pourriez subir des échaudures si les commandes de sûreté ne fonctionnent pas adéquatement.

7. Les personnes qui ont des antécédents de maladie du cœur ou de problèmes de circulation, de diabète ou de pression sanguine devraient consulter un médecin avant d'utiliser un spa.
8. L'hyperthermie se produit lorsque la température interne du corps atteint des températures plusieurs degrés au-dessus de la température normale du corps qui est de 37 °C (98.6 °F). Les symptômes d'hyperthermie comprennent : la somnolence, la léthargie, les étourdissements, la perte de conscience et l'augmentation de la température interne du corps.

Les effets de l'hyperthermie comprennent :

1. **Ignorance d'un danger imminent.**
2. **Incapacité à percevoir la chaleur.**
3. **Incapacité à reconnaître qu'il est temps de sortir du spa.**
4. **Incapacité physique à sortir du spa.**
5. **Effets nocifs sur le fœtus chez les femmes enceintes.**
6. **Perte de conscience qui entraîne un danger de noyade.**

CONSERVEZ CES INSTRUCTIONS

AVERTISSEMENTS PARTICULIERS POUR LES MODÈLES WFSD246LED, WFSD366LED et WSFD486LED

- ▲ **AVERTISSEMENT – Risque de choc électrique.** Ouvrir le compartiment de la lumière DEL augmente le risque d'électrocution et peut entraîner des blessures ou la mort. Afin de réduire le risque de choc électrique, n'ouvrez PAS le compartiment de la lumière DEL. La lumière ne contient aucune pièce pouvant être réparée ou remplacée par l'utilisateur.
- ▲ **AVERTISSEMENT – Risque de choc électrique.** L'appareil électrique doit être exclusivement connecté à un circuit d'alimentation protégé par un disjoncteur de fuite à la terre (DDFT). Un tel DDFT doit être fourni par l'installateur et doit être testé régulièrement. Pour tester le DDFT, appuyez sur le bouton « Test ». Le DDFT devrait couper le courant. Appuyez ensuite sur le bouton « Reset ». L'alimentation électrique devrait être rétablie. Si le DDFT ne fonctionne pas de cette façon, il est défectueux. Si le DDFT coupe le courant à l'appareil sans que le bouton « Test » ait été appuyé, un courant à la terre circule; il y a donc possibilité de choc électrique. N'utilisez pas l'appareil. Déconnectez l'appareil et faites appel aux services d'un professionnel qualifié pour résoudre le problème avant de l'utiliser.
- ▲ **AVERTISSEMENT – Risque de choc électrique.** L'utilisation d'un transformateur autre que le modèle d'origine fourni avec cet appareil augmente le risque d'électrocution et peut entraîner des blessures ou la mort. Afin de réduire le risque de choc électrique, utilisez exclusivement le transformateur OEM.
- ▲ **AVERTISSEMENT – Risque de choc électrique.** L'utilisation d'une rallonge augmente le risque d'électrocution et peut entraîner des blessures ou la mort. N'utilisez PAS de rallonge avec cet appareil.

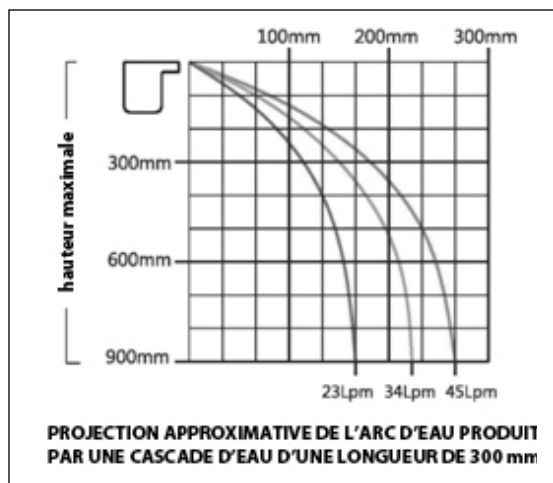
INSTRUCTIONS D'INSTALLATION :

Lisez toutes les instructions avant de commencer l'installation.

NOTE : Cette cascade d'eau, y compris les composants électriques, ne contient aucune pièce pouvant être réparée par l'utilisateur. Si l'appareil cesse de fonctionner, l'appareil en entier doit être retiré et remplacé.

IMPORTANT : Couchez la cascade d'eau, dans son emballage original, sur une surface plane jusqu'au moment de l'installer. Ne retirez pas le protecteur avant que l'installation soit terminée. Le protecteur protège l'ouverture de la cascade d'eau. Protégez l'appareil contre les rayons directs du soleil jusqu'à ce qu'il soit installé.

Consultez le graphique ci-contre pour la projection approximative de l'arc d'eau. Utilisez ce graphique au moment de planifier le positionnement de votre cascade.


PRÉPARATION ET ENCOCHAGE DE LA POUTRE D'ATTACHE :

POUR LES INSTALLATIONS EN BÉTON : Durant l'installation de l'armature, laissez une distance de 100 mm sous le dessus du cadre sur une longueur correspondant à la longueur de la cascade plus 50 mm.

Encochez la poutre 100 mm sous la surface supérieure sur une largeur correspondant à la largeur de la cascade plus 25 mm.

POUR LES INSTALLATIONS EN VINYL OU FIBRE DE VERRE : Bâissez le bloc de façon à laisser 100 mm sous la surface supérieure sur une largeur correspondant à la largeur de la cascade plus 25 mm.

INSTALLATION DE LA CASCADE :

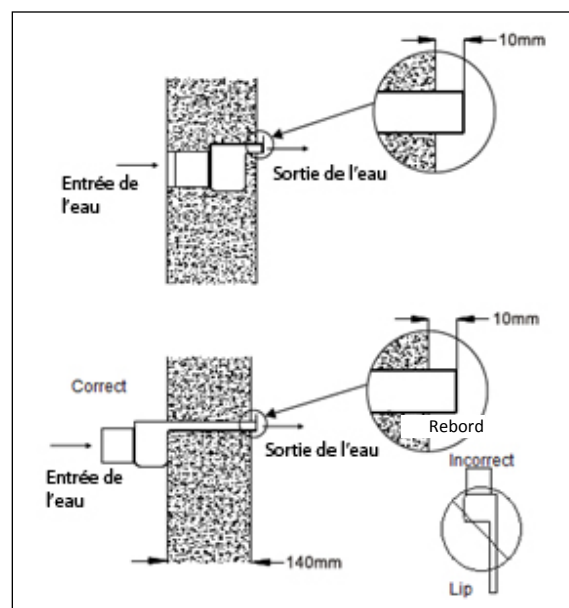
Utilisez une bordure de plastique ou un autre matériau semblable pour

créer une surface nivelée sur laquelle déposer le rebord. Fixez la bordure en place à environ 16 mm sous le chaperon. Avant de placer la cascade, assurez-vous que l'orientation de la cascade est adéquate. Le rebord ne doit pas pointer vers le bas. Consultez la figure ci-contre.

Créez un lit de mortier de ciment au fond de l'encoche à titre de socle pour la cascade. Déposez la cascade dans le mortier tout en vous assurant qu'elle dépasse le mur non fini de la piscine d'au moins 25 mm. Remarque : Le rebord doit dépasser le mur fini de la piscine d'au moins 10 mm. Positionnez la cascade et mettez-la au niveau.

Ajoutez au moins 12 mm de mortier de ciment dans le haut et sur les côtés de la cascade. Enlevez l'excès de mortier du côté de la piscine.

Enlevez la bordure de plastique après avoir installé le chaperon. Après l'installation finale, y compris le plâtrage, enlevez le protecteur.



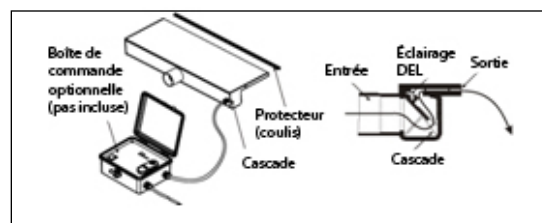
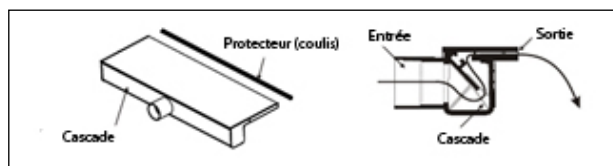
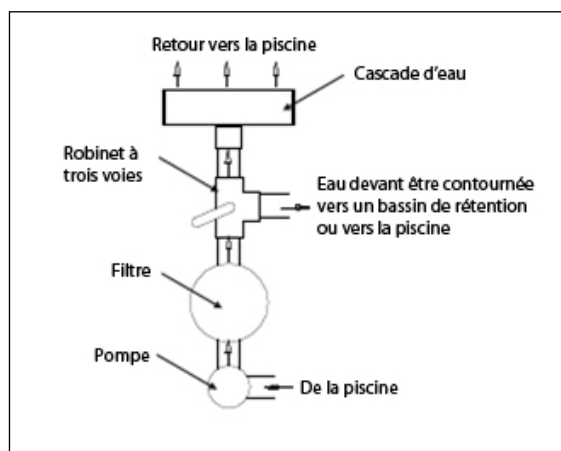
DIMENSION DE LA POMPE :

En général, une cascade requiert 0,15 l/min par mm de largeur. Par exemple, pour produire un mur d'eau, une cascade de 200 mm requiert environ 30 litres par minute. Des rapports de débit doivent être considérés, comme l'indique le graphique de la page 5.

TUYAUTERIE :

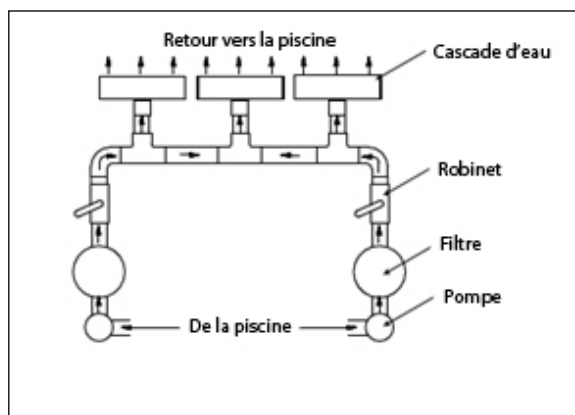
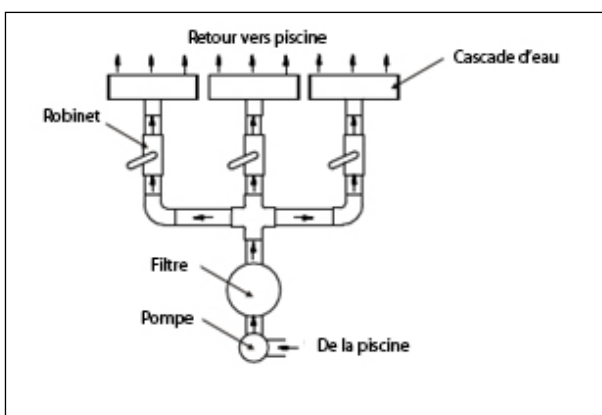
Le raccord au dos de la cascade correspond à une ouverture américaine standard de 1 ½ po.

Dans les installations de cascades les plus courantes, la pompe principale de la piscine est utilisée. Un robinet à trois voies est installé, comme indiqué dans la figure ci-dessous.



NOTE : Seule de l'eau filtrée doit être utilisée dans cet appareil. L'utilisation d'eau filtrée de façon inadéquate peut entraîner un blocage à l'intérieur de l'appareil.

S'il y a plusieurs cascades, Hayward recommande d'installer des robinets indépendants afin d'assurer un équilibre du débit.



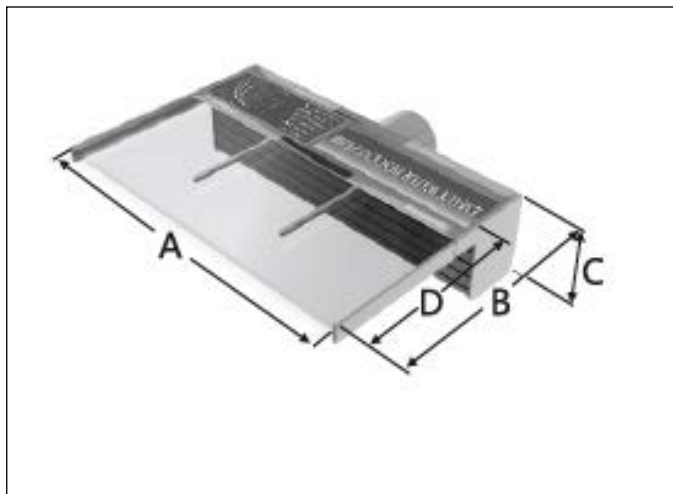
Deux pompes peuvent être raccordées à une cascade dotée de plusieurs raccords : ce type d'installation est recommandé lorsqu'une cascade de plus de 1800 mm est installée.

NOTE : Seule de l'eau filtrée doit être utilisée dans cet appareil. Lorsqu'une pompe indépendante est installée, un autre filtre de dimension adéquate doit être installé entre cette pompe et la cascade, comme indiqué dans les figures ci-dessus.

Si le débit dans la cascade dépasse plus de 40 % du débit filtré, une pompe et un système de filtre indépendants sont recommandés.

Si une cascade de plus de 1500 mm est installée, une tuyauterie de 2 po ou plus est recommandée pour raccorder la pompe et le filtre à la cascade.

DIMENSIONS



N° du modèle	A(mm)	B(mm)	C(mm)	D(mm)	DEL
WFSD126LED	306	263	76	150	4W 12VDC
WFSD246LED	606	263	76	150	8W 12VDC
WFSD366LED	906	263	76	150	12W 12VDC
WFD486LED	1206	263	76	150	17W 12VDC
WFSD126	306	263	76	150	
WFSD246	606	263	76	150	
WFSD366	906	263	76	150	
WFSD486	1206	263	76	150	

AMÉNAGEMENT HIVERNAL ET PROTECTION CONTRE LE GEL :

Pour que le système ne soit pas endommagé en raison du gel, la tuyauterie raccordée à la cascade doit être installée de façon à permettre à l'eau de se drainer facilement. Les cascades ont été conçues pour qu'une quantité minimale d'eau reste dans l'appareil lorsque la tuyauterie est installée de sorte à permettre à l'eau de se drainer. On recommande de suivre les procédures normales pour l'aménagement hivernal et la tuyauterie, y compris celle de la cascade, doit être protégée contre le gel.



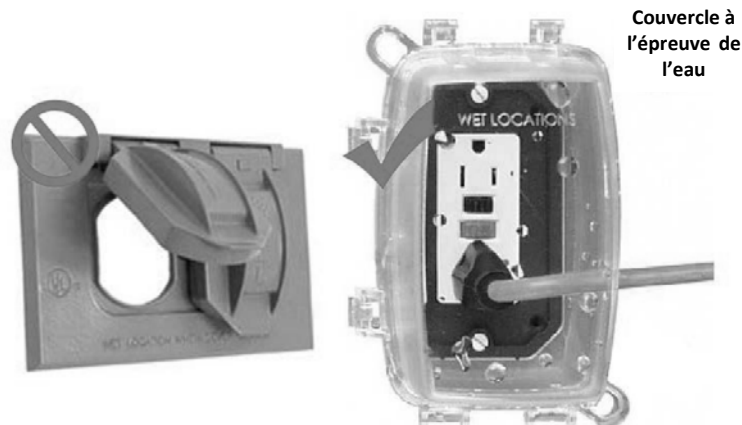
CONSIGNES DE SÉCURITÉ IMPORTANTES - WFTR060 - 60 W 12 VCC alimentation électrique.

Lorsque vous utilisez des produits électriques, vous devez toujours prendre des précautions de base, y compris les suivantes :

▲ LISEZ ET SUIVEZ TOUTES LES CONSIGNES DE SÉCURITÉ

1. Lisez et suivez toutes les instructions inscrites sur le produit ou fournies avec le produit.
2. Pour un bloc d'alimentation raccordé à l'aide d'un cordon d'alimentation ou directement branché dans une prise de courant, n'utilisez pas de rallonge.
3. Faites toujours référence au Code Canadien de l'électricité et au code ANSI/NFPA 70, particulièrement pour le câblage et les dégagements par rapport à des sources d'alimentation électriques et des systèmes d'éclairage. Sachez où se trouve le cordon électrique pour ne pas l'endommager avec la tondeuse, le taille-haie ou tout autre équipement.
4. L'installation et le câblage électrique doivent être effectués par une ou des personnes qualifiées, et ce, conformément à tous les codes et toutes les normes applicables, y compris ceux en matière de construction résistante au feu.
5. Dans le cas d'un appareil raccordé à l'aide d'un cordon d'alimentation ou directement branché dans une prise de courant, ne l'installez pas ou ne l'utilisez pas à moins de 3 m (10 pi) de la piscine.
6. Dans le cas d'un appareil raccordé à l'aide d'un cordon d'alimentation ou directement branché dans une prise de courant, ne l'utilisez pas dans une salle de bain.
7. Pour un appareil raccordé à l'aide d'un cordon d'alimentation ou directement branché dans une prise de courant sur lequel est inscrit ce qui suit :
 - a) Pour un bloc d'alimentation raccordé en permanence :
 - ▲ **AVERTISSEMENT:** Risque de choc électrique. Raccordez seulement à un circuit protégé par un disjoncteur de fuite à la terre de classe A.
 - b) Pour un bloc d'alimentation raccordé à l'aide d'un cordon d'alimentation ou directement branché dans une prise de courant :
 - ▲ **AVERTISSEMENT:** Risque de choc électrique. Raccordez seulement à une prise de courant couverte d'un boîtier étanche et protégée par un disjoncteur de fuite à la terre de classe A dans laquelle il est possible de brancher et débrancher la fiche.
 - ▲ **AVERTISSEMENT:** Risque de choc électrique. Lorsque l'appareil est utilisé à l'extérieur, raccordez seulement à une prise de courant couverte d'un boîtier étanche et protégée par un disjoncteur de fuite à la terre de classe A en branchant la fiche du bloc d'alimentation dans la prise de courant. Si une telle prise de courant n'est pas fournie, communiquez avec un électricien pour qu'il puisse en installer une qui est appropriée. Assurez-vous que le bloc d'alimentation est installé en conformité avec tous lois et codes régionaux.
 - ▲ **AVERTISSEMENT:** Risque de feu. L'installation nécessite des méthodes de câblage particulières afin de passer un ou des câbles au travers le mur d'un bâtiment. Consultez un électricien.
8. Pour un appareil qui doit être installé à une distance de plus de 30 cm (1 pi) du sol :
 - ▲ **AVERTISSEMENT:** Risque de choc électrique. Installez cet appareil à une hauteur de plus de 30 cm (1 pi) du sol.
 - ▲ **AVERTISSEMENT:** Pour les appareils qui se branchent directement. De ne pas utiliser dans une prise de courant étanche sauf si la prise de courant est couverte.

Voir les instructions ci-dessous :





HAYWARD®

Garantie limitée de HAYWARD^{MD} Pool Products Canada inc.

À l'acheteur original de ce produit, Hayward Pool Products Canada garantit ses CASCADES et BLOCS D'ALIMENTATION contre tout défaut de matériau ou de fabrication pour une période d'UN (1) an à partir de la date d'achat, lorsqu'ils sont utilisés dans des applications résidentielles unifamiliales.

La garantie limitée exclut les dommages causés par le gel, la négligence, une installation inadéquate, une utilisation ou un entretien inadéquat ou toute calamité naturelle. Durant la période de garantie, les pièces défectueuses seront réparées ou remplacées, à notre discrétion, sans frais dans les 90 jours suivant la réception du produit défectueux, à moins de circonstances imprévues.

La preuve d'achat est nécessaire pour obtenir un service en vertu de la garantie. Si la preuve d'achat n'est pas disponible, la date de fabrication du produit sera utilisée comme seule preuve d'achat.

Pour obtenir un service en vertu de la garantie, veuillez communiquer avec le lieu d'achat ou avec le centre de service Hayward autorisé le plus près. Pour de l'aide concernant le centre de service Hayward le plus près, veuillez visiter le www.haywardpiscine.ca.

Hayward n'est pas responsable des coûts de transport, des coûts de main-d'œuvre liés au démontage, à la réparation ou à la réinstallation de même que de tout coût encouru pour obtenir des pièces de remplacement ou une réparation en vertu de la garantie.

La garantie offerte par Hayward Pool Products Canada ne s'applique pas aux composants fabriqués par d'autres. Pour ces produits, les garanties offertes par leurs fabricants respectifs s'appliquent.

La garantie expressément citée ci-dessus constitue la garantie complète offerte par Hayward Pool Products à l'égard de ses produits de piscine et remplace toute autre garantie explicite ou implicite, y compris les garanties de valeur commerciale ou d'adaptation à un usage particulier. En aucun cas, Hayward Pool Products ne sera responsable de dommages indirects, particuliers ou accessoires, quelle qu'en soit la nature.

***Remplace toute publication ultérieure.**

Hayward Pool Products Canada
2880, rue Plymouth Drive
Oakville (Ontario)

ENREGISTREMENT DU PRODUIT

(À conserver dans vos dossiers)

DATE D'INSTALLATION _____▲ Conservez ce certificat de garantie **pour vos dossiers** dans un endroit sûr et pratique.**DÉTACHEZ ICI : Remplissez complètement la partie du bas et postez-la dans les 10 jours suivant l'achat ou l'installation ou enregistrez le produit en ligne.****Cascades d'eau et alimentation électrique****Carte d'enregistrement de la garantie**

Veuillez écrire lisiblement :

Enregistrez votre garantie en ligne at www.haywardpiscine.ca

Prénom _____ Nom _____

Adresse _____

Ville _____ Prov. _____ Code postal _____

Tél. _____ Date d'achat _____

Courriel _____

Numéro de série _____

Numéro de modèle _____

Volume de la piscine _____ (gallons américains ou litres)

Si votre appareil contient des composants qui possèdent des numéros de série distincts, il n'est pas nécessaire de remplir une carte d'enregistrement de garantie pour chaque composant. Remplissez plutôt la carte d'enregistrement de garantie pour l'appareil concerné en inscrivant le numéro de série situé sur l'emballage de l'appareil.

 Veuillez me faire suivre toute communication électronique au sujet de l'équipement ou des promotions Hayward.**Postez à**

Hayward Pool Products Canada inc., 2880 Plymouth Dr., Oakville, Ontario L6H 5R4

À l'attention de : Warranty Deptou ENREGISTREZ VOTRE GARANTIE EN LIGNE AU WWW.HAYWARDPISCINE.CA

Nombre d'années depuis l'installation de la piscine

 < 1 an 1-3 4-5 6-10 11-15 >15

Achetée de _____

 Constructeur Détaillant Service de piscine Internet/ Catalogue

Nom de la compagnie _____

Adresse _____

City _____ State _____ Zip _____

Type de piscine:

 Béton Vinyle Fibre de verre Autre _____ Nouvelle installation Remplacement

Installation pour:

 Creusée Hors terre SpaHayward est une marque déposée de Hayward Industries inc.
© 2015 Hayward Industries inc.