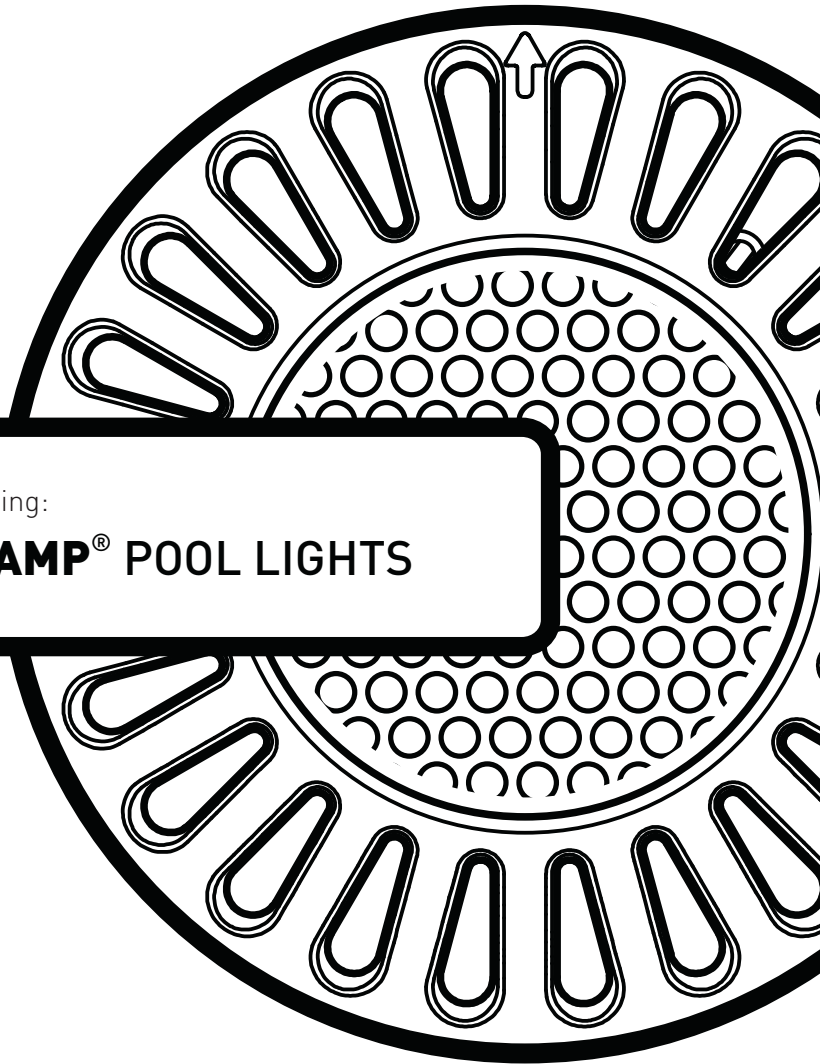




retro

REPLACEMENT LED POOL LIGHT



Replaces existing:

AQUA/LAMP[®] POOL LIGHTS

**INSTALLATION &
OWNER'S MANUAL**

CONTENTS

| | |
|--|----|
| READ THIS FIRST / PRODUCT WARNINGS | 2 |
| TOOLS REQUIRED / WINTERISATION | 3 |
| INCLUDED PARTS | 4 |
| BEFORE YOU START | 5 |
| EXISTING LIGHT REMOVAL / CABLE PREPERATION | 6 |
| CABLE JOINER INSTALLATION | 7 |
| LIGHT INSTALLATION | 10 |
| LIGHT REMOVAL / WINTERISATION | 12 |
| COMPLIANCE | 13 |

PRODUCT SUPPORT & INFORMATION

CANADA

Select Pool Products

Tel: 1-855-881-0889

Email: info@selectpoolproducts.ca

www.selectpoolproducts.ca

INTERNATIONAL

Spa Electrics PTY LTD

Tel: +61 3 9793 2299

Email: info@spaelectrics.com.au

www.spaelectrics.com

READ THIS FIRST

Congratulations on your purchase of a Spa Electrics ATOM Retro Series pool light, for safe and proper installation, please read the installation manual carefully prior to product installation.

For safe & proper installation, use only parts (screws, plugs, sealant etc) provided.



ELECTRICAL SUPPLY NOTICE

The ATOM Retro Series light must only be used with a 12V AC Class 2 power supply or a power source intended for swimming pool use (not included).

Minimum power source wattage requirement - 15 Watts per light.



WARNING

- The ATOM Retro Series EM Light must be water cooled at all times. DO NOT switch the light on until installation is complete and the light is fully submerged in water.
- Ensure sufficient cable is coiled behind the light to allow for servicing
- Ensure only circular cable not exceeding 14mm diameter is connected to the supplied cable joiner. The use of Figure 8 or non circular cable will prevent correct sealing & will void the product warranty.
- The ATOM Retro Series EM Light does not contain any user serviceable parts, opening the light will void the product warranty.
- Pool chemicals & PH levels: Due to the corrosive nature of unbalanced pool chemicals, Spa Electrics strongly recommends that your pool water is balanced prior to installing your pool Lights or any plastic or stainless steel components, and tested weekly to maintain these levels. pH levels should be maintained between 7.2- 7.6 at all times to ensure the longevity of these components.
 - Failure to do so can result in chemical damage to the light housing and pool fittings, including stainless steel components.
 - Please note: Lights or components found to have excessive chemical damage will not be covered under our manufacturer's warranty policy

TOOLS REQUIRED

- Small **flat-blade** screwdriver (supplied)
- 24mm / 29mm spanner (supplied)
- Side cutters / Pliers



IMPORTANT NOTES

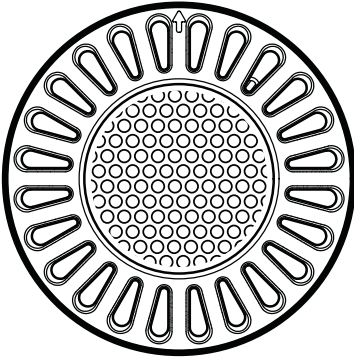
- The use of power tools during installation is not recommended as these devices can cause faults and damage to light components.
- All installation steps should be carried out with manual tools only.
- The enclosed images are for illustrative purposes only. Appearances of parts and assemblies may vary from the enclosed illustrations.
- Please contact your reseller if you have any questions regarding the correct installation of this product.



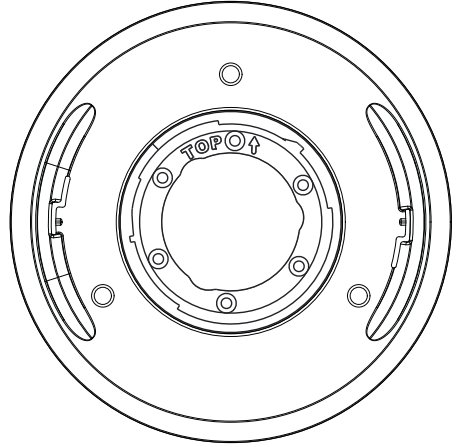
WINTERIZATION

- All ATOM Retro Series Lights must be removed from niche (Pg.12) and lowered to pool floor during periods of pool water freezing.
- Pre-existing niches should be adequately protected during winter months as per manufacturers recommendations.
- Consult your local pool professional for complete pool winterization process.

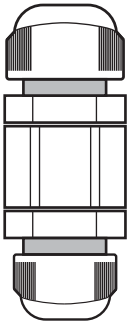
INCLUDED PARTS



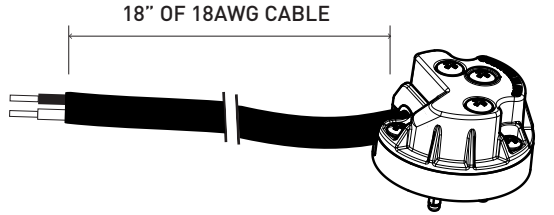
1 X RETRO LIGHT



ADAPTOR PLATE
(To suit AQUA/LAMP®)

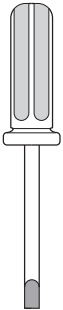


UNDERWATER
CABLE JOINER



PLUG CONNECTION

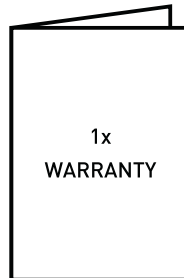
PREASSEMBLED



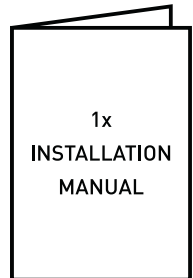
SCREW DRIVER



SPANNER



1x
WARRANTY



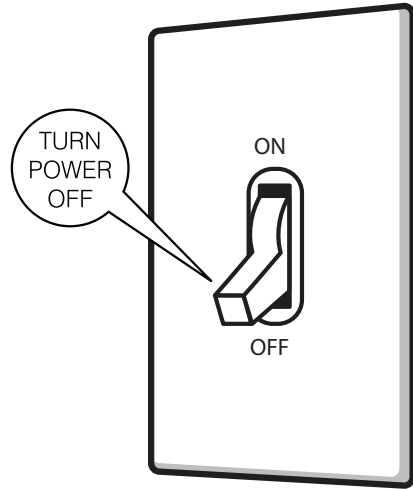
1x
INSTALLATION
MANUAL

BEFORE YOU START

1 ISOLATE POOL LIGHTS

ENSURE SYSTEM IS SAFELY ISOLATED DURING THE INSTALLATION PROCESS.

IF IN DOUBT; CONTACT YOUR ELECTRICAL CONTRACTOR FOR ASSISTANCE.



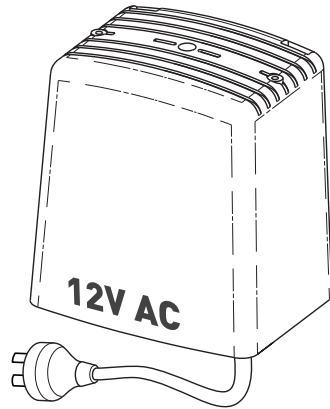
2 CHECK TRANSFORMER

**EXISTING TRANSFORMER
MUST BE:**

- 12V AC CLASS 2 POWER SUPPLY/POWER SOURCE INTENDED FOR SWIMMING POOL USE
- MIN. 15 WATT (PER LIGHT)
- IN GOOD WORKING ORDER

**EXISTING TRANSFORMER
MUST NOT BE:**

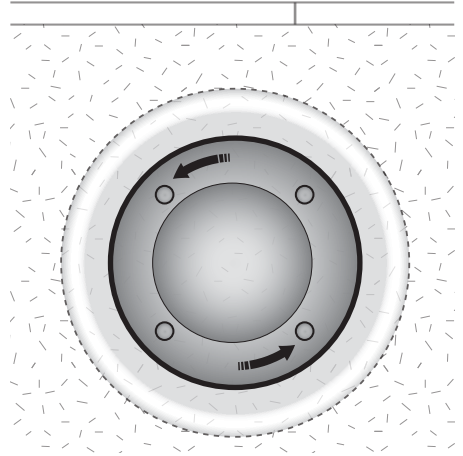
- DC OR 'LED DRIVER'
- ELECTRONIC OR SWITCH MODE
- WEATHER DAMAGED OR IN OTHERWISE POOR CONDITION



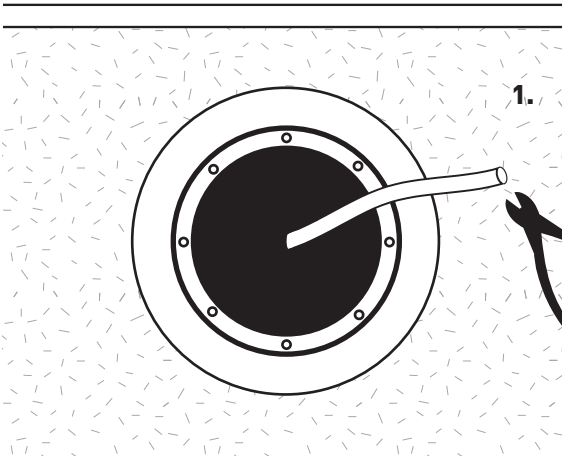
REMOVAL OF EXISTING LIGHT

1 REMOVE EXISTING LIGHT

1. REMOVE EXISTING POOL LIGHT FROM POOL WALL BY ROTATING CENTRE LIGHT FITTING COUNTER-CLOCKWISE.

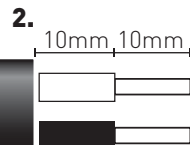


2 PREPARING EXISTING CABLE



- 1 DISCONNECT CABLE TO EXISTING POOL LIGHT, ENSURING ENOUGH CABLE LENGTH REMAINS ABOVE THE NOMINAL WATER LEVEL TO ENSURE SERVICE ACCESS.

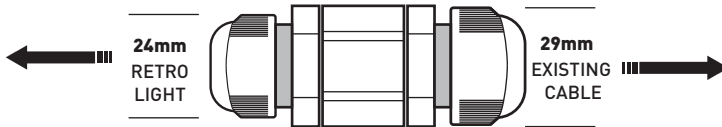
- 2 STRIP CABLE OUTER AND INNER SHEATHS TO THE BELOW LENGTH.



INSTALLING CABLE JOINER

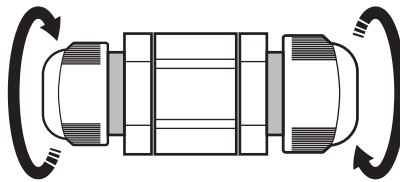


IMPORTANT

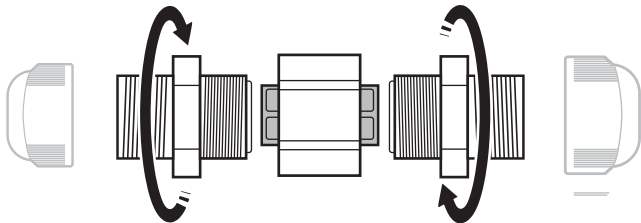


1 OPEN CABLE JOINER

LOOSEN OUTER CABLE GLAND NUTS.



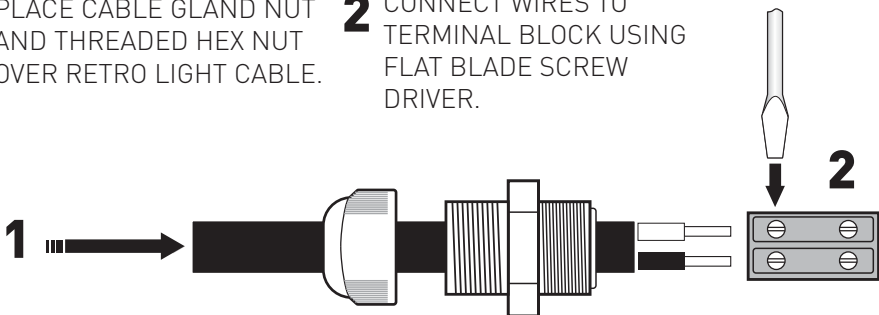
LOOSEN AND REMOVE BOTH THREADED HEX NUTS USING 29mm SPANNER.



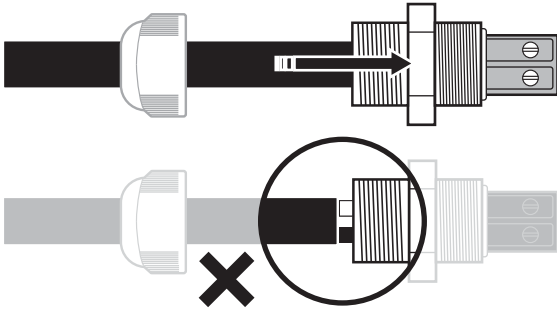
2 CONNECT RETRO LIGHT CABLE

1 PLACE CABLE GLAND NUT AND THREADED HEX NUT OVER RETRO LIGHT CABLE.

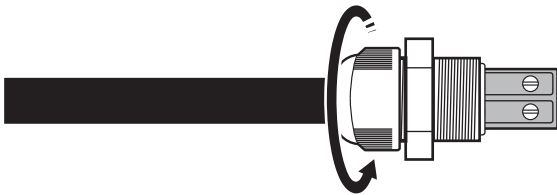
2 CONNECT WIRES TO TERMINAL BLOCK USING FLAT BLADE SCREW DRIVER.



INSTALLING CABLE JOINER



- 3** SLIDE THREADED HEX NUT OVER TERMINAL BLOCK. ENSURING CABLE SHEATH EXTENDS INSIDE THE ASSEMBLY.

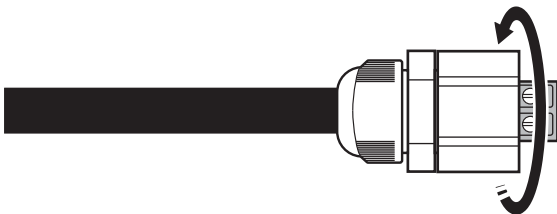


- 4** TIGHTEN CABLE GLAND NUT USING 24mm SPANNER.



IMPORTANT

DO NOT OVER TIGHTEN



- 5** ATTACH MAIN BODY AND TIGHTEN USING 29mm SPANNER.



IMPORTANT

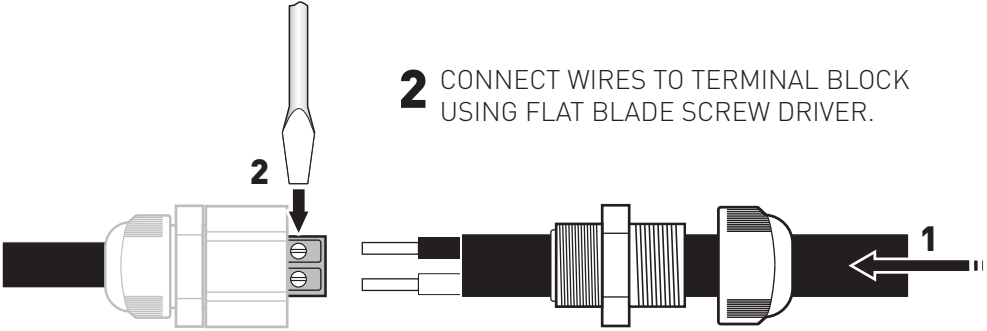
DO NOT OVER TIGHTEN

INSTALLING CABLE JOINER

3 CONNECTING TO EXISTING CABLE

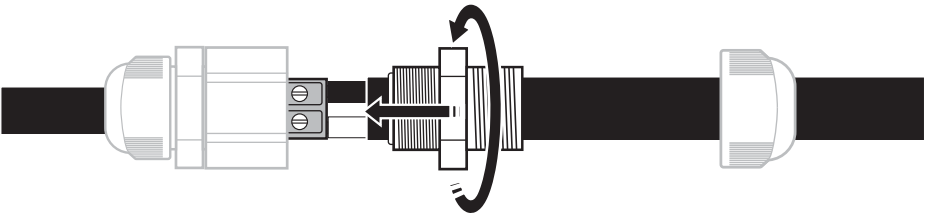
1 PLACE CABLE GLAND NUT AND THREADED HEX NUT OVER EXISTING LIGHT CABLE.

2 CONNECT WIRES TO TERMINAL BLOCK USING FLAT BLADE SCREW DRIVER.



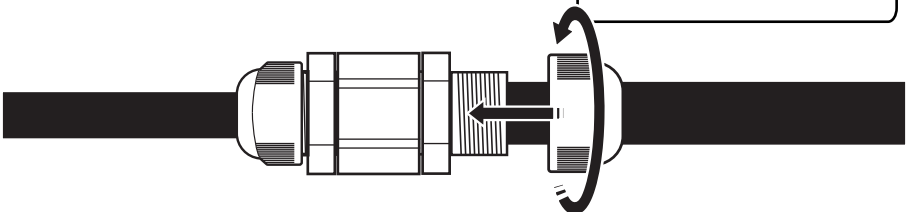
3 SLIDE THREADED HEX NUT OVER TERMINAL BLOCK AND TIGHTEN ONTO MAIN BODY USING 29mm SPANNER.

! IMPORTANT
DO NOT OVER TIGHTEN



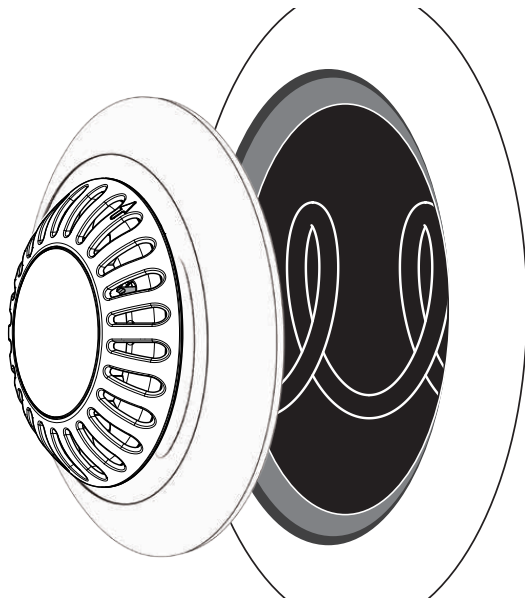
4 TIGHTEN CABLE GLAND NUT USING 29mm SPANNER.

! IMPORTANT
DO NOT OVER TIGHTEN

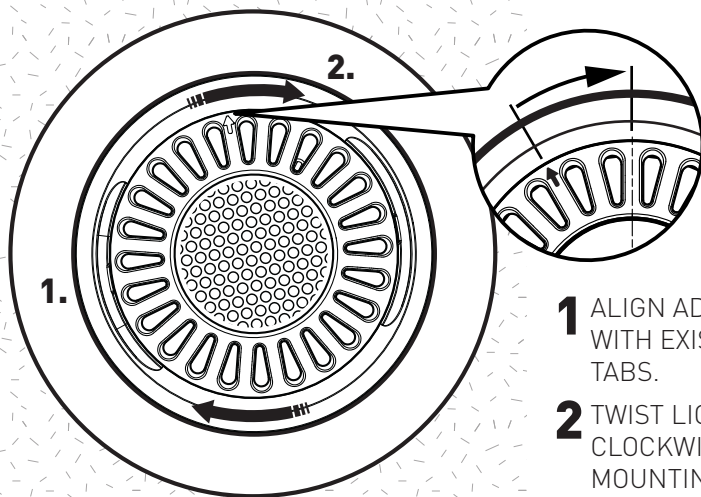


LIGHT INSTALLATION

1 COIL CABLE INTO NICHE



2 ATTACH LIGHT FITTING TO NICHE

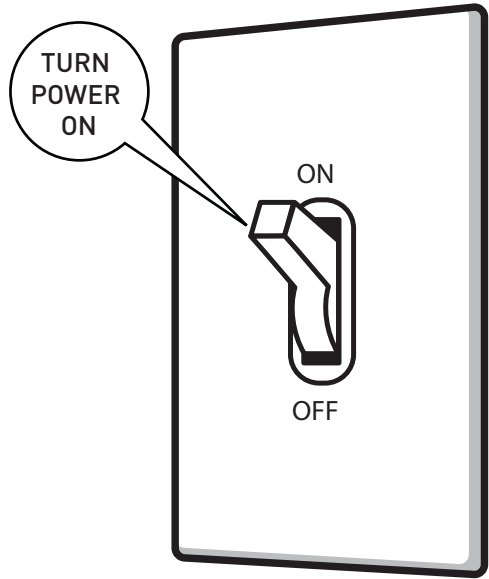


1 ALIGN ADAPTOR PLATE WITH EXISTING MOUNTING TABS.

2 TWIST LIGHT ASSEMBLY CLOCKWISE TO ENGAGE MOUNTING TABS AND LOCK INTO POSITION.

INSTALLATION COMPLETE

INSTALLATION IS NOW COMPLETE. TURN POWER ON TO CONFIRM OPERATION.

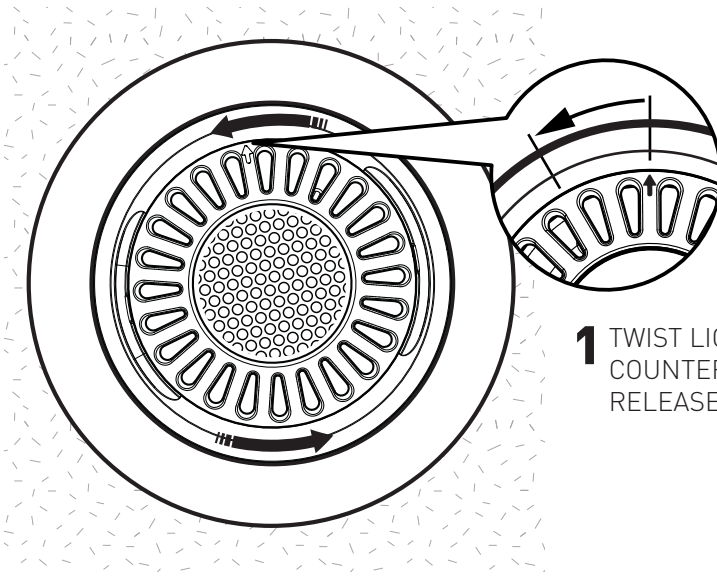


Continue to PG 13 for MULTI PLUS setup & user instructions



WINTERISATION

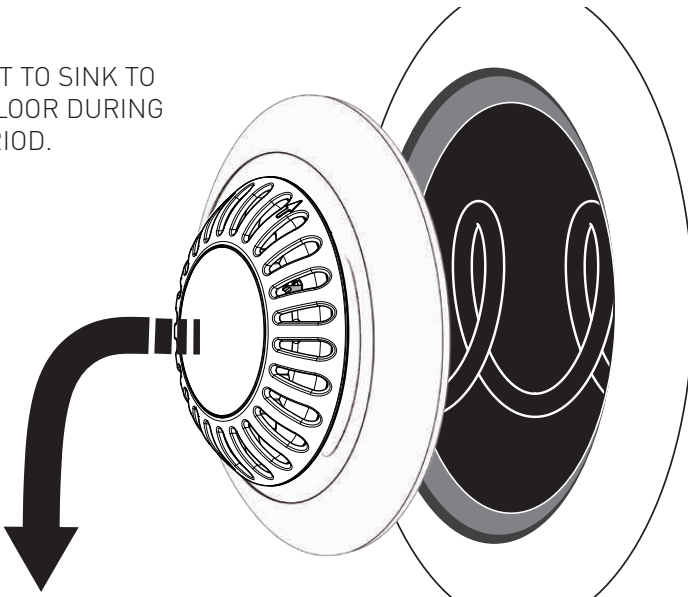
1 REMOVE LIGHT FROM NICHE



1 TWIST LIGHT ASSEMBLY COUNTER-CLOCKWISE TO RELEASE FROM NICHE.

2 LOWER LIGHT TO POOL FLOOR.

ALLOW LIGHT TO SINK TO THE POOL FLOOR DURING WINTER PERIOD.



ELECTRICAL GROUNDING

Manufacturers Statement

Per the NEC, NFPA 70, Article 680.23 (B)(5), states that bonding shall not be required for luminaires that are listed for the application and have no non-current carrying metal parts. In addition, per Article 680.26 (B)(4), exception states that Listed low-voltage lighting systems with non-metallic forming shells shall not require bonding.

Therefore, luminaires that are located in the Class 2 circuit with polymeric/non-current carrying metal parts are not required to be grounded / bonded.

Spa Electrics ATOM & QUANTUM (EM & WN9) luminaires with their plastic housing designs and plastic niches do not require grounding / bonding when operated within a Class 2 circuit supply.

Spa Electrics ATOM & QUANTUM (EM & WN9) lights have also been determined to comply with the applicable UL requirements for wet-niche, LED type Swimming Pool and Spa Luminaires.

FCC COMPLIANCE STATEMENT

This device complies with part 15 of the FCC rules. Operation is subject to the following two (2) conditions:

- (1) This device may not cause harmful interference, and
- (2) this device must accept any interference received, including interference that may cause undesired operation.

Note: This equipment has been tested and found to comply with the limits for a Class B digital device, pursuant to part 15 of the FCC Rules. These limits are designed to provide reasonable protection against harmful interference in a residential installation. This equipment generates, uses and can radiate radio frequency energy and, if not installed and used in accordance with the instructions, may cause harmful interference to radio communications. However, there is no guarantee that interference will not occur in a particular installation. If this equipment does cause harmful interference to radio or television reception, which can be determined by turning the equipment off and on, the user is encouraged to try to correct the interference by one or more of the following measures:

- **Reorient or relocate the receiving antenna.**
- **Increase the separation between the equipment and receiver.**
- **Connect the equipment into an outlet on a circuit different to that to which the receiver is connected.**
- **Consult the dealer or an experienced radio / TV technician for help.**

Do not make any changes or modifications to the equipment unless otherwise specified in the manual.

AQUA/LAMP® is registered trademark of Consolidated Pool & Spa Industries Inc Canada. Connect 10® is a registered trademark of AstralPool Australia and/or its affiliated companies in the United states or other countries. IntelliBrite® is a registered trademark of Pentair Water Pool and Spa, Inc and/or its affiliated companies in the United states or other countries. Colorlogic® is a registered trademark of Hayward Industries Inc. and/or its affiliated companies in the United states or other countries. Spa Electrics Export Pty Ltd Australia and it's ATOM and RETRO brands are not affiliated or endorsed by these companies and/or their brands.



NOTE

PLEASE STORE THIS
MANUAL IN A SAFE PLACE
FOR FUTURE REFERENCE

Proudly manufactured by



Spa Electrics



www.spaelectrics.com

© COPYRIGHT 2017 SPA ELECTRICS PTY. LTD.
ALL RIGHTS RESERVED

20180205