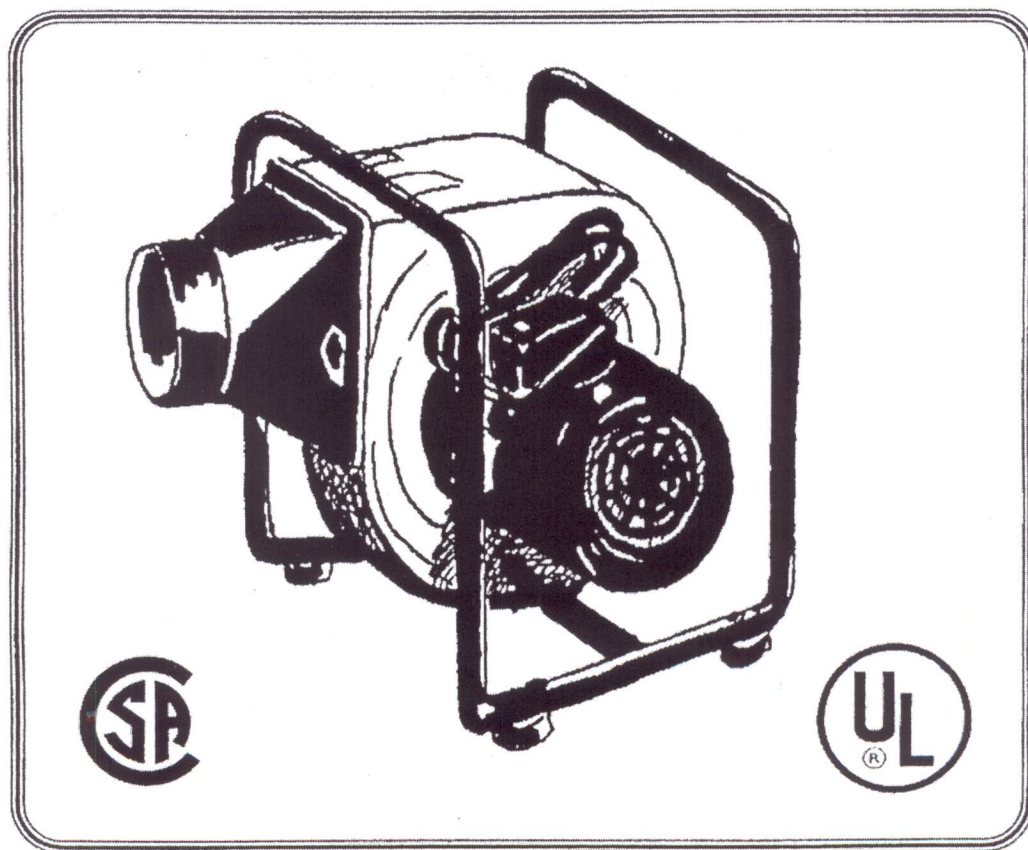


VINYL-VAC



MODEL:ASP-1

MANUFACTURED FOR:

CONSOLIDATED POOL & SPA INDUSTRIES INC.

WOODBIDGE, ONTARIO, CANADA

IMPORTANT: CHECK BOLT #14 HOLDING PADDLE FAN IN PLACE TO ENSURE IT IS TIGHT BEFORE EACH USE. BOLT #14 IS A LEFT HANDED THREAD.

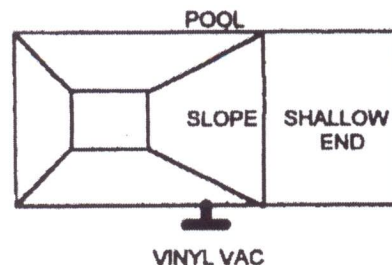
DIRECTIONS

Remove all parts from the box and install rubber feet, inlet fitting, discharge outlet and grates as per drawing.

Every machine has a 4-inch PVC 90° elbow with it. Place small end on machine inlet #24 and large end on 4-inch tube. Small end should fit snug around inlet and do not glue any fittings.

Place 4-inch tube behind liner and tape to seal off air leaks. Tube should be lowered to 1 (one) inch off pool floor with angled opening facing pool wall.

We suggest that machine tube be placed 2 feet past breakoff for best results - see drawing below. This does not work in every liner installation, about 90% of the time it does, kidneys are usually the exception; you sometimes have to find your own place, depending on the fit of the liner.



LINER INSTALLATION PROCEDURES

When using Vinyl Vac on a new construction installation where there is no existing deck to place it close to the pool, we suggest you go to any building supplier and buy a piece of 4-inch weeping tile, non perforated, 2-3 feet or whatever length you need to position your Vinyl Vac away from the pool. With a heat gun, warm one end of the weeping tile and insert the small end of the 4-inch street elbow. Allow to cool so that elbow will mold to size, then connect the other end to the Vinyl Vac inlet.

We suggest 4-inch weeping tile because the ribs are shallow and rounded. After testing, do not restrict air flow; also its flexibility does not break down after extended use and it's inexpensive.

We do not supply the weeping tile because it is too costly to package and ship and we would have to pass this expense on to you, the dealer.

VINYL VAC SYSTEM

“What if I have sand bottoms?”

When installing a liner in a pool with a sand bottom keep the 4 inch pipe 1 inch from the sand bottom and drill 4 x 9/16 inch holes in the side of the pipe, 2 holes on each side, not more than 6 inches from the bottom. This relieves the concentration of suction from the bottom of the pipe. The reason for keeping the 9/16 inch holes low on the pipe is to keep the suction low on the pipe where the cove is at the bottom of the wall. The cove is the air channel around the pool.

“What if I have foamed walls - how do I keep the foam from being sucked into the vacuum pipe?”

After positioning the Vinyl Vac cut a 6 to 7 inch arch in the foam at the point of entry for the pipe - as per drawing - before installing the liner.



After you are finished installing the sand bottom liner we suggest you tape the 9/16 inch holes with duct tape to return full suction concentration to the bottom of pipe so if your next liner installation has ground water it will be able to pick it up.

WARRANTY

The Vinyl Vac System has a full one year warranty on everything against manufacturer's defects except the frame around it. It is there to protect the machine. If it gets broken, it has done its job. Note - if a weld snaps, fix it with a tex screw.

PERFORMANCE

We have performed extensive testing on the Vinyl Vac System. Our goal is to move large amounts of air in order to handle almost any amount of leakage through walls etc. creating the proper amount of suction and maintaining it.

For example, we have set liners with 6 foot inwall steps not covered, coping not taped, skimmers and returns not taped, and still set the liner with no problem and cut in the steps dry. Even so, the more you seal off the pool from leaks, the better the suction and the more efficient the Vinyl Vac will perform.

VINYL VAC SYSTEM

IMPORTANT SAFETY INSTRUCTIONS

When using the Vinyl Vac System follow basic safety precautions, including the following.

WARNING: To reduce the risk of electric shock or injury

- **Do not use Vinyl Vac as a water pump.**
- Put Vinyl Vac on a stable level surface.
- Do not allow the unit to be used as a toy - close attention is necessary near children.
- Do not leave Vinyl Vac plugged in when not in use.
- To avoid injury from accidental starting, unplug power cord before working on Vac or checking any parts.
- Do not unplug by pulling on the cable. To unplug, grasp the plug, not the cable.
- Turn off controls before unplugging.
- Do not use with damaged cable, plug or other damaged parts. If your Vinyl Vac System is not working as it should, has missing parts, has been dropped and damaged or dropped into water, have it serviced by a qualified technician before using again.
- **Do not handle plug of Vinyl Vac System with wet hands.**
- Keep hair, fingers, loose clothing away from moving parts.
- Connect to properly earthed (grounded) outlet - See grounding instructions.
- Extension cord in poor condition, or cords that are too small can pose fire and shock hazards. When using an extension cord be sure it is in good condition - see extension cord sizing table below.

EXTENSION CORDS

The use of any extension cord will cause some loss of power. Use the following table to determine the minimum wire size extension cord. Use only 3 wire cords with 3 prong grounding type plugs.

Extension	Wire Size Required (American Wire Gage)
11 - 15 Feet	No. 16 Wire
26 - 50 Feet	No. 14 Wire
51-100 Feet	No. 12 Wire

INTRODUCTION

The Vinyl Vac System is specifically designed to move air at the source. Do not use as a water pump.

CAUTION - The blower housing contains a high speed fan blade that can amputate fingers. **DO NOT OPERATE WITHOUT ALL PARTS IN PLACE.**

The Vinyl Vac System is designed for **COMMERCIAL USE ONLY.**

VINYL VAC SYSTEM

OPERATION

The Vinyl Vac System is wired at the factory for 120 volt operation. Connect to a 120 volt, 15 amp branch circuit and use a 15 amp time delay fuse or circuit breaker. Your Vinyl Vac System must be properly grounded. If not properly grounded the Vinyl Vac can cause electrical shock.

Replace worn or damaged power cords immediately.

We suggest installing an inline GFI for safety and liability.

Do not force the Vinyl Vac or attachments to do a job for which they are not designed. **Check bolt #14 holding paddle fan in place to ensure it is tight before each use. Bolt #14 is a left handed thread.**

Safety is a combination of common sense, staying alert and knowing how your Vinyl Vac System works.

EACH TIME BEFORE USING

Check bolt #14 (holding paddle fan in place) to ensure it is tight before each use. Bolt #14 is a left handed thread.

Inspect your Vinyl Vac System. If any parts are missing, bent, fail in any way, or any electrical components do not work properly, remove power supply cord from power supply. Replace damaged, missing or failed parts before using Vinyl Vac System again.

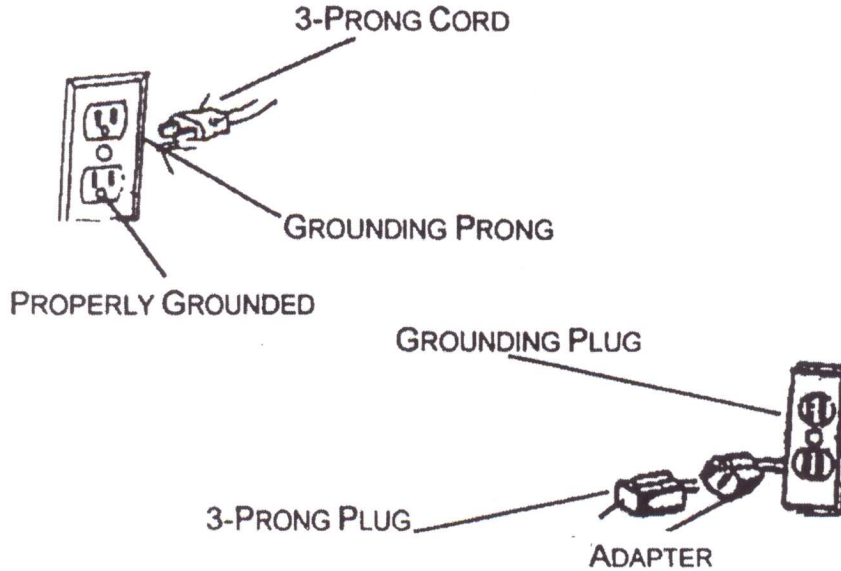
GROUNDING INSTRUCTIONS

This Vinyl Vac System must be grounded. If it should malfunction or break down, grounding provides a path of least resistance for electric current to reduce the risk of electric shock. This machine is equipped with a cord having an equipment grounding conductor and grounding plug. The plug must be plugged into an appropriate outlet that is properly installed and grounded in accordance with local codes and ordinances.

To maintain proper Vinyl Vac System grounding. Whenever the outlet you are planning to use for this power unit is of the two prong type, do not remove or alter the grounding prong in any manner.

WARNING:

Improper connection of the equipment grounding conductor can result in a risk of electric shock. Check with a qualified electrician or service person if you are in doubt as to whether the outlet is properly grounded. Do not modify the plug provided with the machine. If it will not fit the outlet, have a proper outlet installed by a qualified electrician.



MAKE SURE THIS IS CONNECTED TO A KNOWN GROUND 2-PRONG RECEPTACLE.

WARNING:

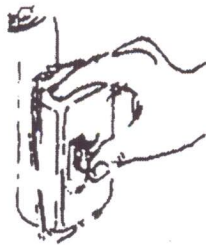
The adapter illustrated is for use only if you already have a properly grounded 2-Prong receptacle.

NOTICE:

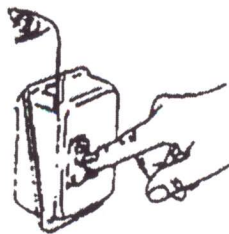
In Canada, the use of a temporary adapter is not permitted by the Canadian Electrical Code.

ON/OFF SWITCH

On the top of the motor housing is the Switch Box. The ON/OFF switch has the ability to be turned ON when the Red Key is properly inserted. Switch to the ON position by moving the switch the other way. Turn the switch OFF by moving the switch the other way. Remove the Key from the switch and this enables the switch to be turned ON. As per drawing.



Turning Switch "ON"



Turning Switch "OFF"



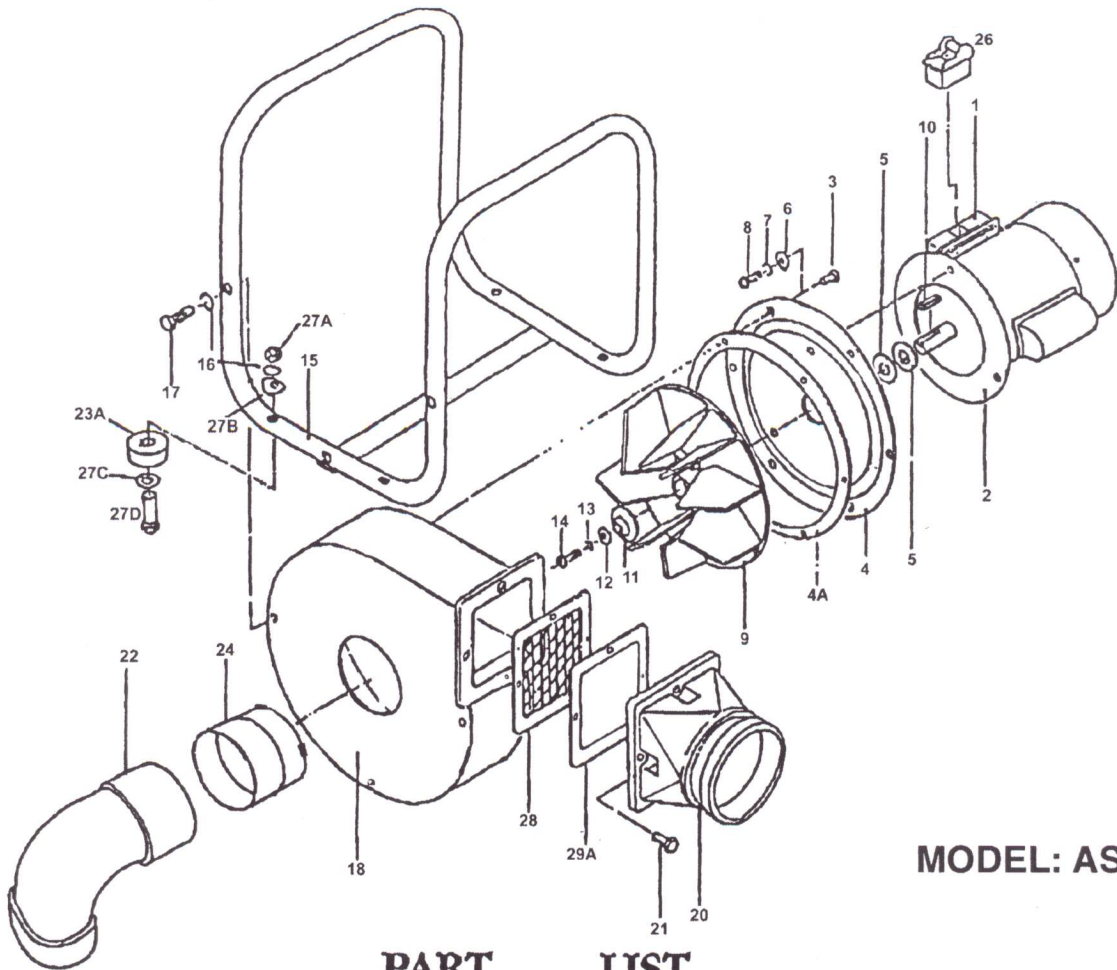
Removing Switch Key

NOTICE:

The type of switch on your Vinyl Vac might be different to the above ON/OFF switch for your country.

TROUBLE SHOOTING

PROBLEM	PROBABLE CAUSE	SOLUTION SUGGESTED
1. Excessive noise	Motor bearings	Have motor checked by qualified technician
2. Motor fails to develop full power (low voltage). Power output of motor decreases rapidly with decrease in voltage at motor terminals. For example; a reduction of 19% in maximum power output of which the motor is capable and a reduction of 20% in voltage causes a reduction of 36% in maximum power output.	Circuit overloaded with lights, appliances and other motors. Extension cords are either too short or too long.	Do not use other appliances or motors on the same circuit when using the Vinyl Vac System. Increase the wire size on extension cords.
3. Motor starts slowly or fails to come up to full speed.	Low voltage. Windings burned out or open. Starting switch will not operate - switch contacts not working properly. Capacitor burned out.	Check voltage output with volt meter. Have motor repaired or replaced by qualified technician. Have capacitor replaced by qualified technician.
4. Motor overheats	Motor overloaded. Improper cooling air restricted through motor dust build up inside motor.	Check voltage output with voltage. Clean out dirt to provide normal air circulation through motor.
5. Motor stalls, resulting in blown fuses and tripped breakers	Voltage too low to allow motor to reach operating speed. Fuses or breakers do not have sufficient capacity.	Check voltage output with voltage motor. Install proper size fuses or breakers.
6. Frequent blown fuses or tripped breakers	Motor overloaded. Fuses do not have sufficient capacity.	Install proper size fuses or breakers.
7. Excessive impeller noise	Loose impeller. Rubbing impeller.	Consult qualified service technician to repair loose or rubbing impeller. Check to see if Bolt #14 is tight - This bolt holds fan plate in place; it is a left handed thread.



MODEL: ASP-1

PART LIST

Part-No.	Description	Qty
1.	Switch box	1
2.	Motor	1
3.	Screw	6
4.	Motor supporting plate	1
4A.	Gasket	1
5.	Washer	2
6.	Washer	3
7.	Spring washer	3
8.	Screw	3
9.	Fan with plate	1
10.	Key	1
11.	Washer	1
12.	Washer	1
13.	Spring washer	1
14.	Bolt	1
15.	U-type bracket	1

Part-No.	Description	Qty
16.	Spring Washer	7
17.	Bolt	3
18.	Ventilation housing	1
20.	Outlet	1
21.	Bolt	4
22.	4" Street Elbow	1
23A.	Rubber support	4
24.	Inlet	1
26.	Switch	1
27A.	Nut	4
27B.	Washer	4
27C.	Washer	4
27D.	Bolt	4
28.	Outlet net guard	1
29A.	Gasket	1