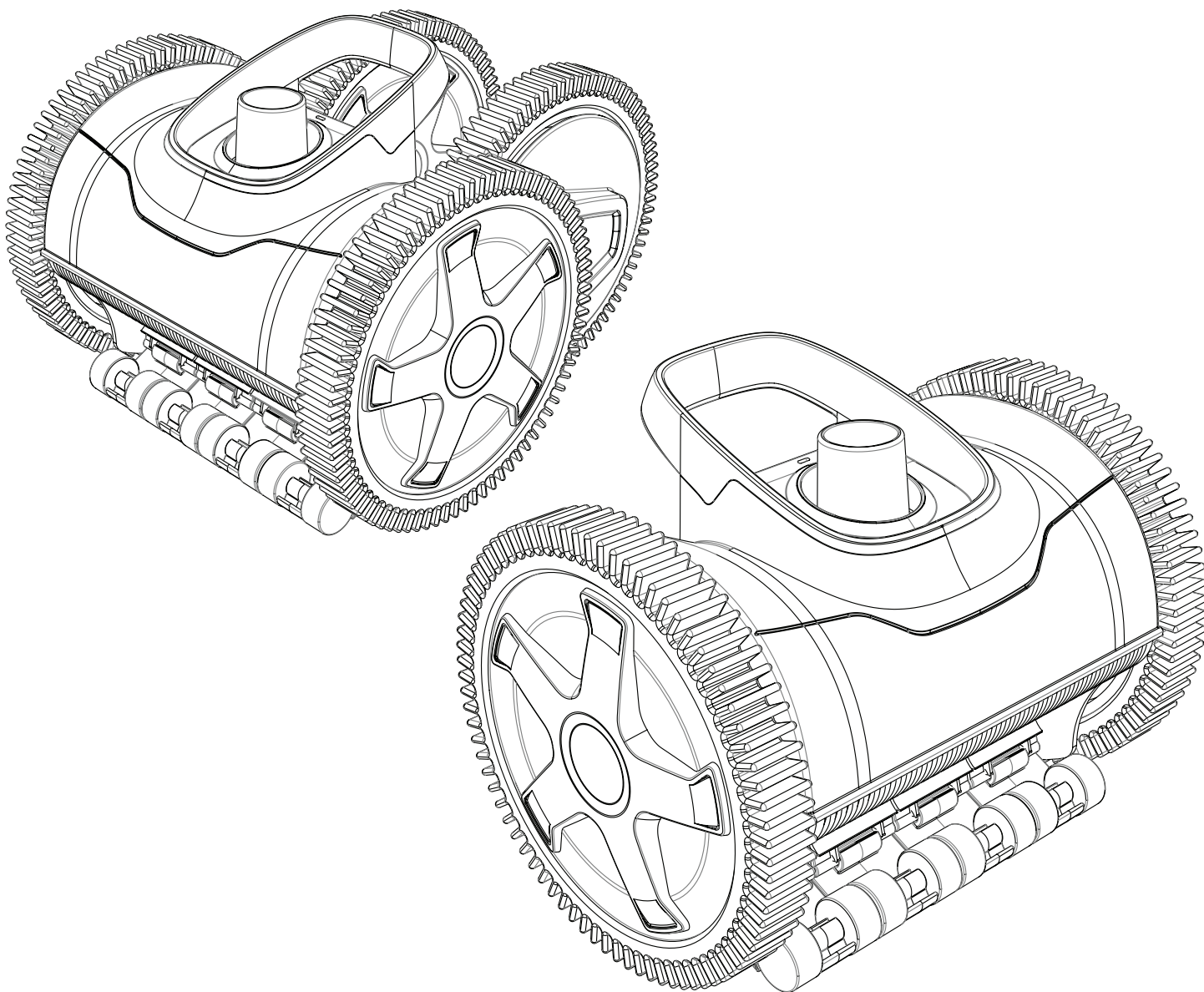


# AquaNaut<sup>®</sup>

---

## Owners manual 2 Wheel & 4 Wheel Suction-Side Poolcleaners

---



---

Hayward Pool Products  
620 Civision Street | Elizabeth, NJ 07201  
[www.Hayward-Pool.com](http://www.Hayward-Pool.com)





# FEATURES

---

## SELF ADJUSTING TURBINE VANES

All the cleaner cleaners have the patented self-adjusting turbines, which maximize the power from the water flow. This turbine is similar to a paddle wheel with blades that are adjustable. This feature allows the cleaner to still move at low suction and low pressure. In addition the folding vanes of the turbine allow for the easy passage of larger debris through the cleaner.

## STEERING SYSTEM

The 2x and 4x Suction cleaner have an internal programmed steering system, that causes the left wheel to periodically reverse, allowing the cleaner to turn and then move into another direction. For the 2x Suction cleaner there are five different programmed turns ranging from 90 to 450 degrees. For the 4x Suction Cleaner there are three different programmed turns ranging from 90 to 540 degrees. This feature allows the cleaner to cover not only the deep end, but also the shallow end.

This steering system allows for the 2x Suction cleaner to travel 8 to 10 ft. before it turns, and the 4x Suction cleaner will travel 11 to 14 ft. before it turns. The cleaner cleans more in the shallow end than any other cleaner. The cleaner has no problem with uneven surfaces or strange shapes. It won't stick in a corner, or get hung up by a main drain.

## ROBUST TIRE TREADS

One look and you will see that the patented tire treads give the cleaner better climbing ability and obstacle maneuverability. The tires come with tread wear markers that show you when to replace your tires. The front tires of the cleaner have humps (raised treads) that allow the cleaner to overcome any reasonable obstacles such as the main drain and uneven surfaces. This makes the Cleaner ideal for all pool surfaces and shapes.

## SELF-CLEANING SWIVEL

This is a feature that allows the cleaner to turn freely without interference from the hose due to debris buildup in the swivel hose cone. By self-cleaning, the swivel prevents the hose from coiling. (Note: Sometimes with severe debris one needs to hold it under a water faucet for cleaning).

## WALL CLIMBING

Cleaner will only climb walls on cleaners with sufficient floor to wall radius.

The cleaner has patented adjustable skirts that allow the cleaner to maintain optimal suction under the machine even when it encounters obstacles. When the Cleaner encounters an obstacle one (or more) of the skirts will lift up (adjust) over the obstacle while maintaining suction under the cleaner.

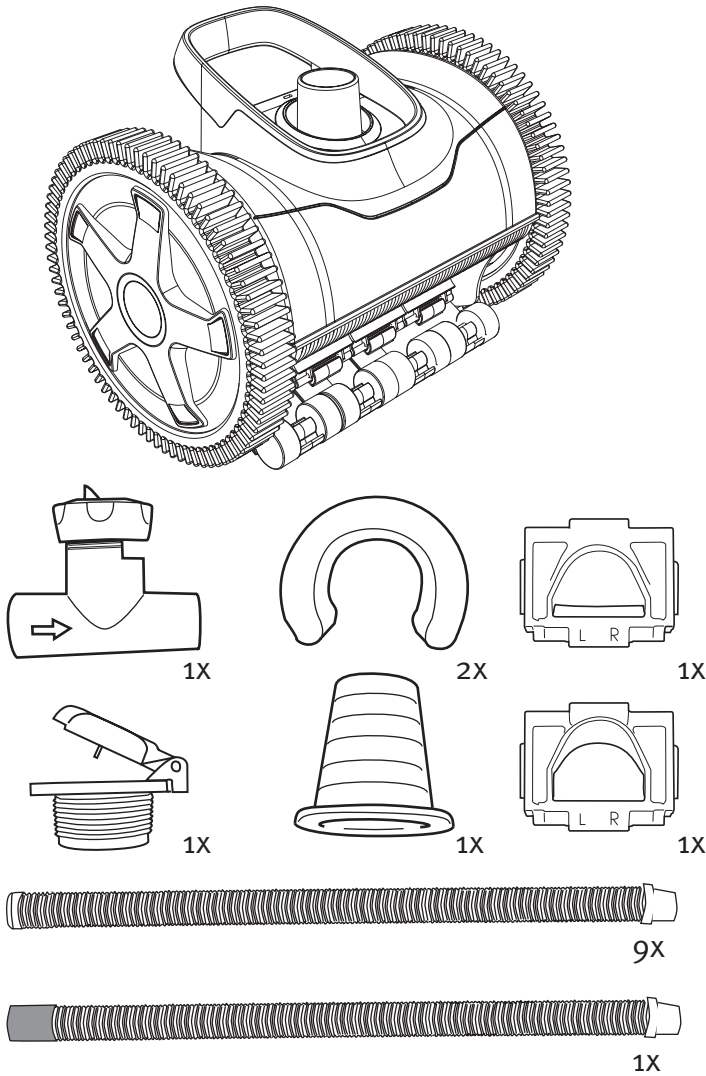
# SAFETY FACTS

---

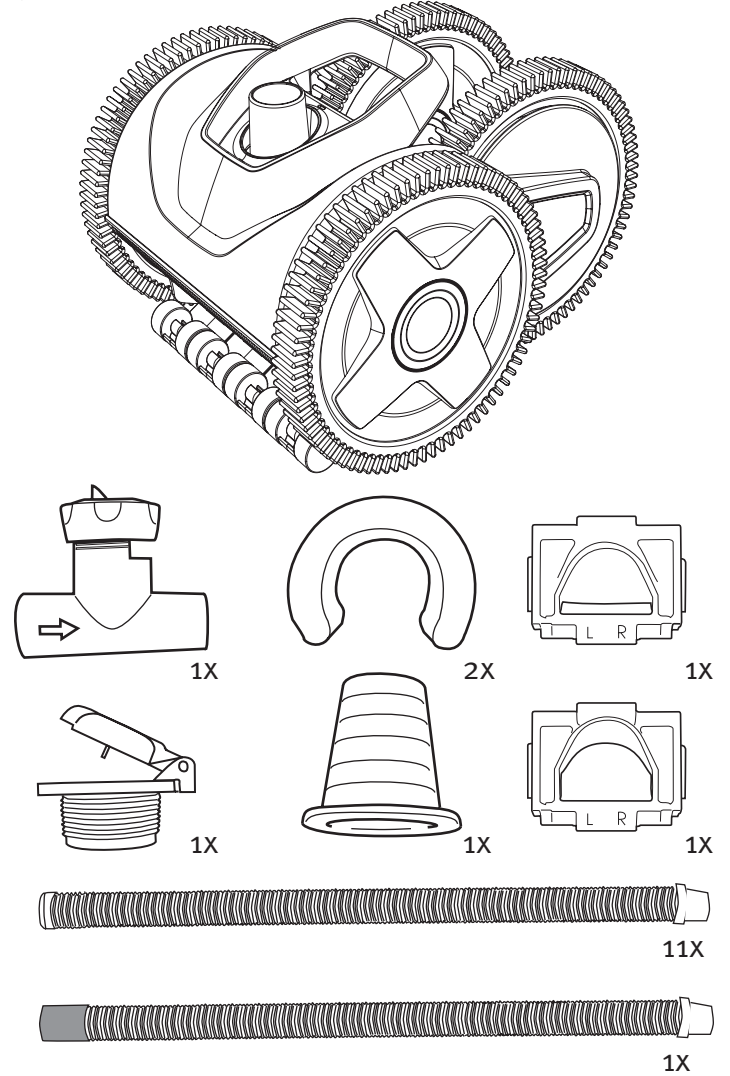
- **DO NOT** use to remove large debris in new pools.
- **REMOVE** the cleaner before chemically shocking your pool.
- **DO NOT** swim with cleaner
- Store the cleaner in a shaded safe area.
- Hoses must be stored straight. **DO NOT** coil the hoses.
- Keep away from children and pets.
- **REMOVE** cleaner when performing backwash.
- **REMEMBER SAFETY FIRST**

# PARTS

## 2 wheel model



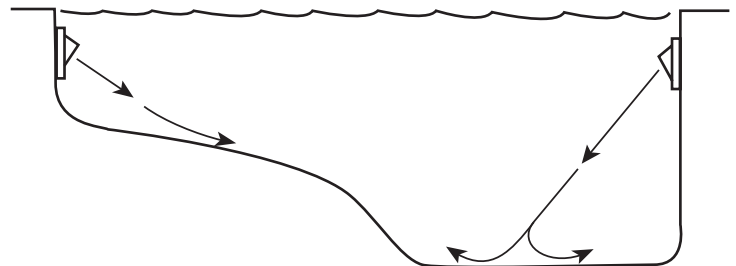
## 4 wheel model



## Installing the Cleaner

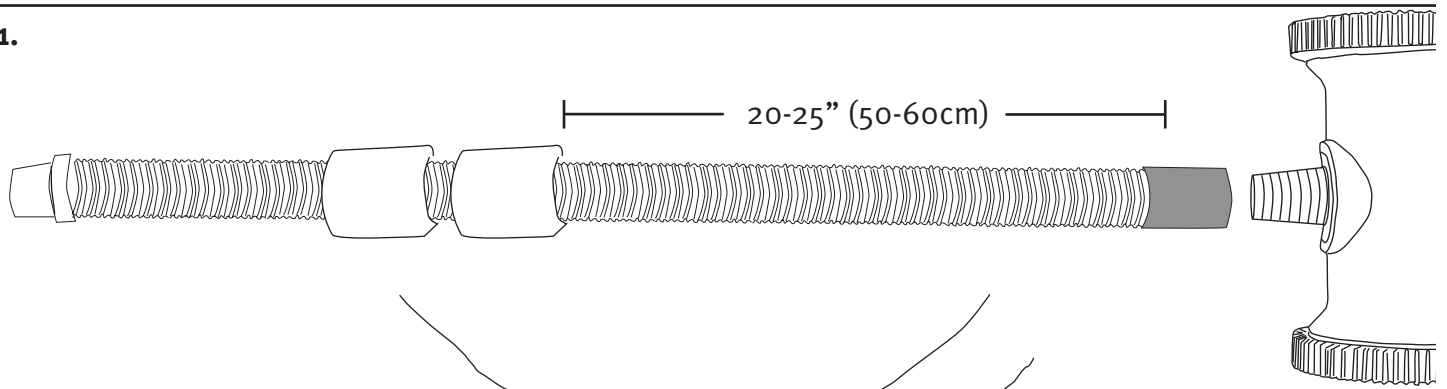
### STEP 1; preparing your pool.

1. Manually remove very large and excessive debris from pool (ie. post storm, spring cleaning/pool opening situations).
2. Perform a backwash, clean your filter, skimmer baskets and pump basket.
3. Make sure your chemical balance is correct. If not, now is the time to correct it. If you chemically shock the pool, wait a day or two before continuing.
4. Point all your return fittings downward.

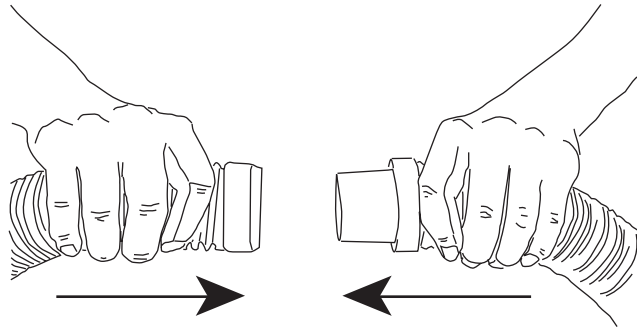


**STEP 2;** connecting the hoses.

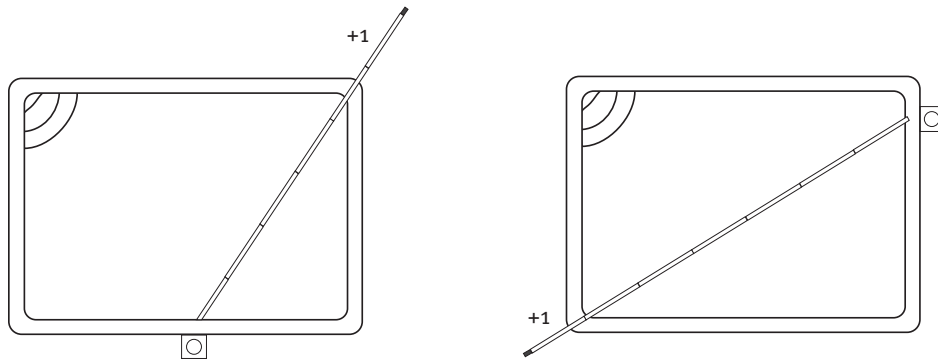
1.



2.

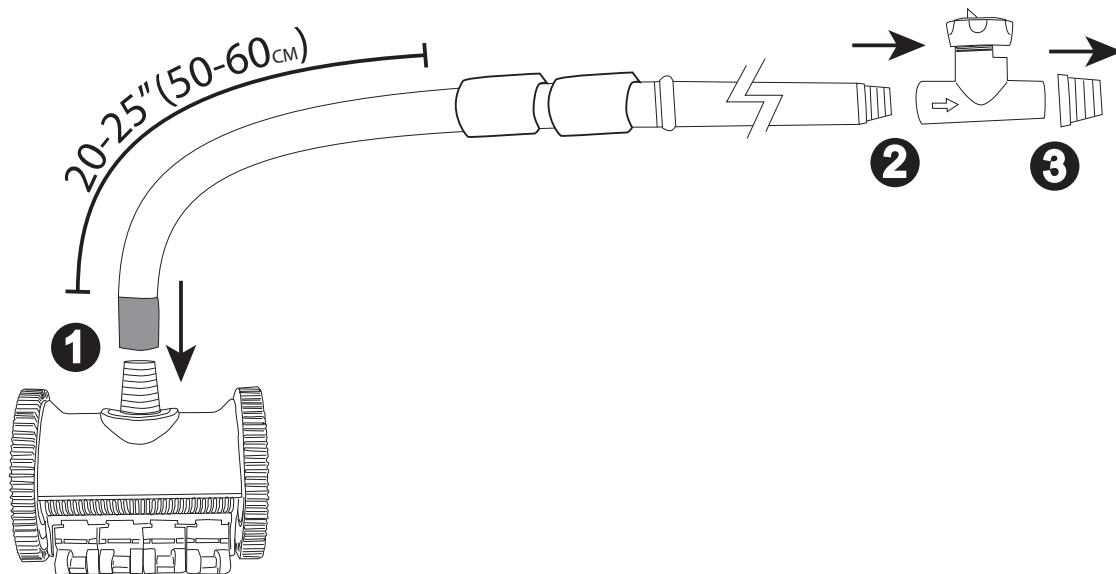


3.



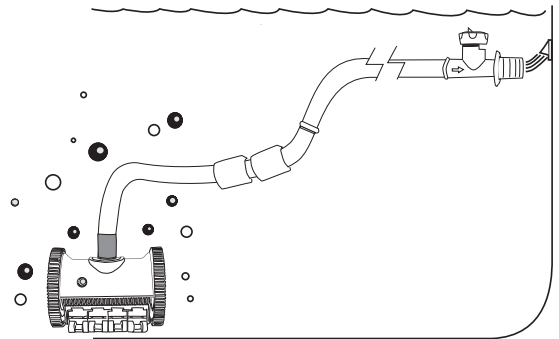
**STEP 3;** attaching the cleaner.

**3**



## STEP 4; submerging the cleaner.

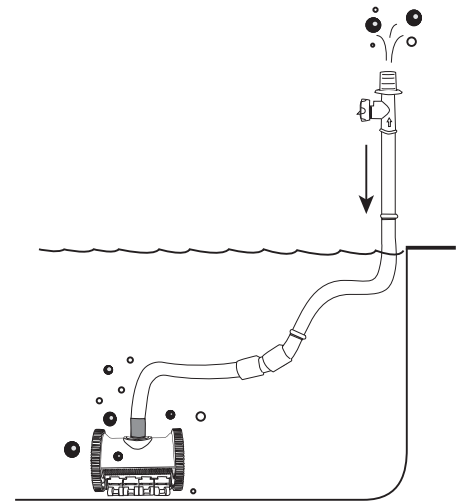
Lower the cleaner into the water. While your pump is running, take the end of the hose with the Adjustable Regulator Valve (if you need it) and hold it against one of the return fittings to expunge all of the air in the hose and the cleaner.



OR

With the pump turned off, lower the cleaner and then vertically push the hose down into the water until the hose is completely filled with water.

YOU DO NOT WANT ANY AIR TO REMAIN IN THE HOSE AND THE CLEANER!!



## STEP 5; connecting to suction.

1. Make sure that the filtration pump is turned OFF. **SUCTION CAN BE VERY DANGEROUS!!!**

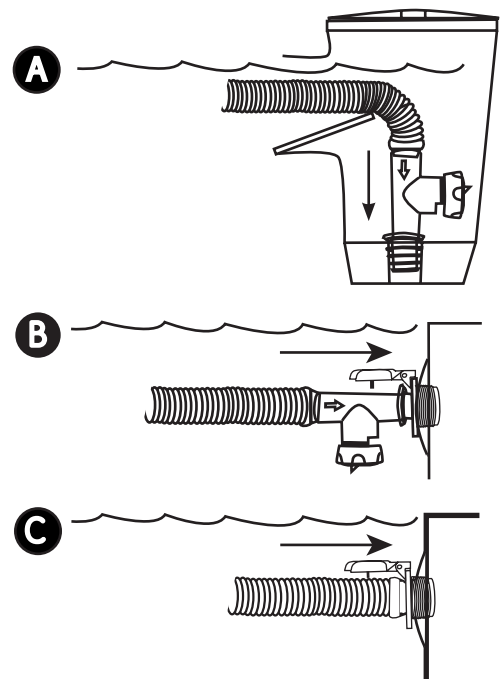
2. If you are hooking into a skimmer tightly press the Regulator Valve and the Hose Cone (Valve Adapter) end into the bottom of your skimmer. (see image **A**)

3. If you are hooking into a designated threaded suction port/line then screw in the Vac Lock and insert the Regulator Valve. (see image **B**)

OR

Insert the hose directly into the Vac Lock and use your 3-way or ball valve to get the correct performance when the Regulator Valve is not used. (see image **C**)

4. Switch the pump power back ON.



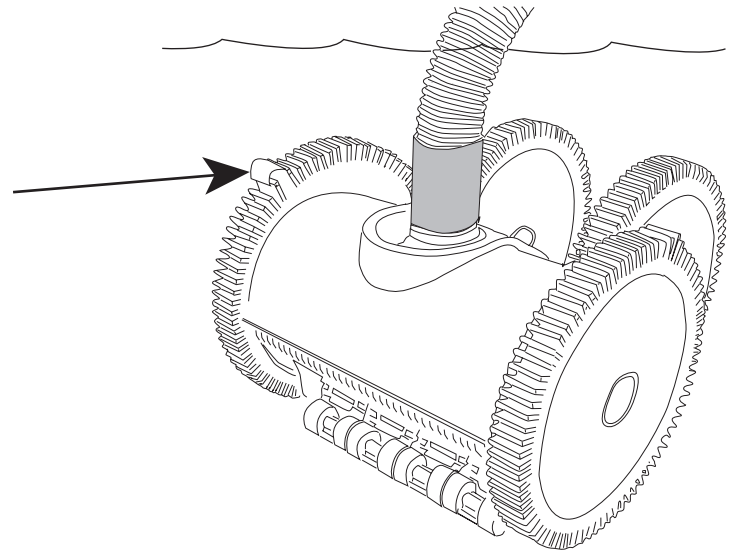
## STEP 6; adjusting the cleaner.

**ADJUSTING WHEEL RPM:** For the cleaner to run optimally the revolutions per minute (RPMs) should be between 11 and 14 (Note it will still clean as low as 8 RPM but will NOT climb walls).

While the cleaner is running take it by the leader hose so that the cleaner is just below the water. (KEEP THE CLEANER BELOW THE WATER LEVEL or else it will suck air). Now count the number of revolutions made per minute by the RIGHT FRONT WHEEL by using the hump (raised treads) as your marker. If it is between 11 and 14 RPM you are done.

If your cleaner RPMs are not within the range there are two ways to adjust it.

NOTE: This is equivalent to 7 to 10 inches of mercury on a vacuum gauge. A vacuum gauge is NOT included with the cleaner but is available at your local pool store.

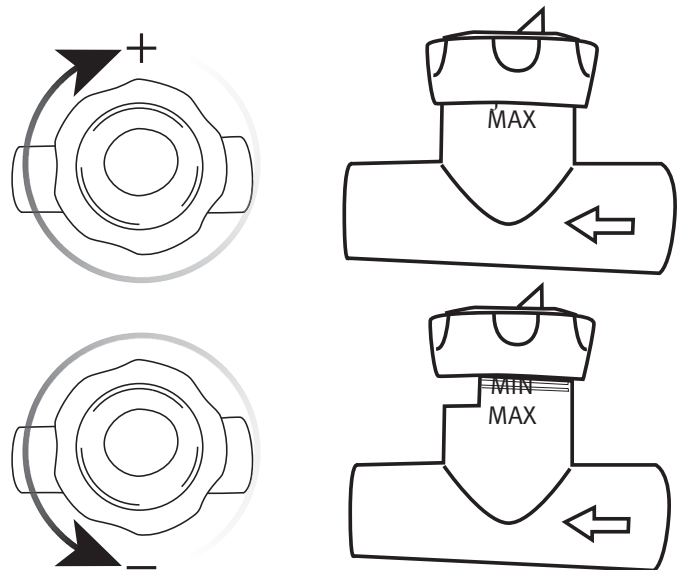


This valve regulates the suction so that the Cleaner does not exceed the optimal 11-14 RPM (revolutions per minute). It does so by opening to bypass water when necessary. This will ensure the best possible performance from your cleaner.

### 1. ADJUSTING THE BYPASS VALVE:

Screwing the top in you will bypass less water, increasing the RPM (speed). If it is all the way in and you still are below 11 RPM adjust the 3-way valve for more suction and/or clean the filter. Remove the valve.

Screwing the top out you will bypass more, decreasing the RPM (speed). If it is screwed all the way out and you still are above 14 RPM adjust the 3-way valve to give less suction. Note: If the line you are hooked to (skimmer or inlet) has a 3-way valve or ball valve you may have to adjust the 3-way valve or ball valve even if you are using the regulator valve.

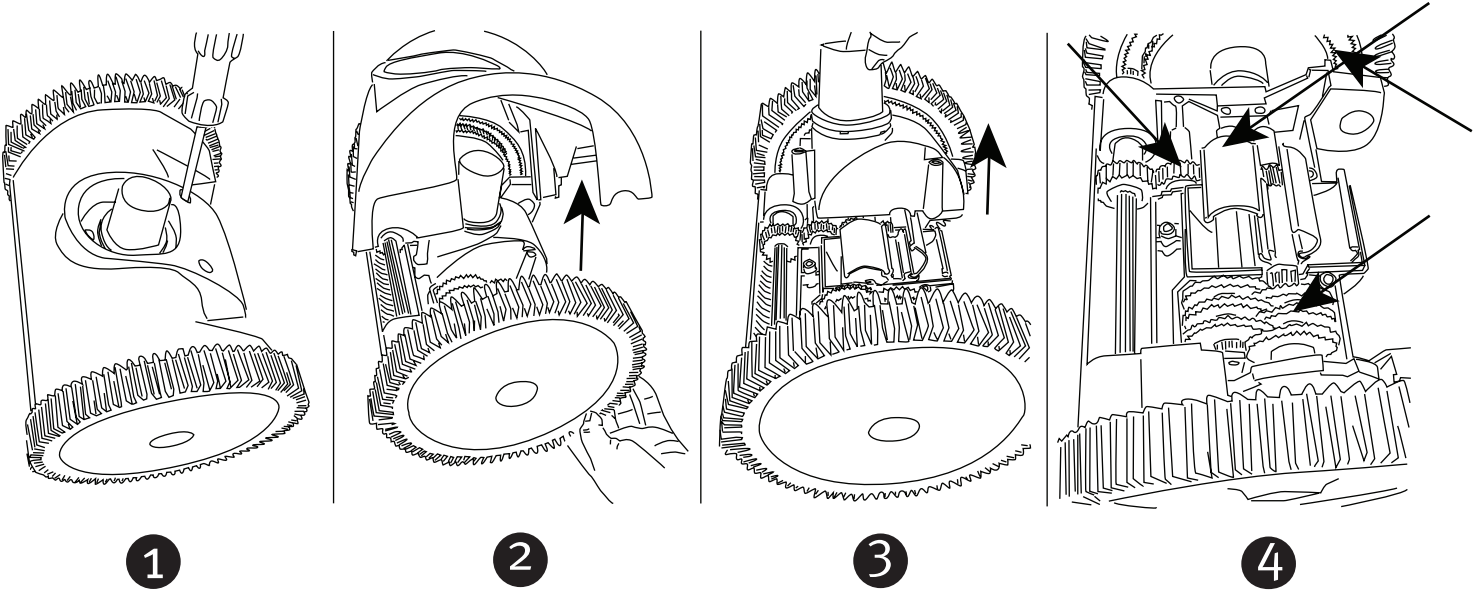


### 2. ADJUSTING SUCTION FLOW:

Adjust the amount of flow from the suction line/skimmer line to obtain the proper flow.

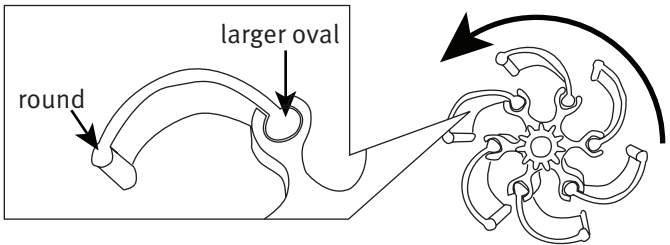
# Servicing the Cleaner

## Removal of Obstructions



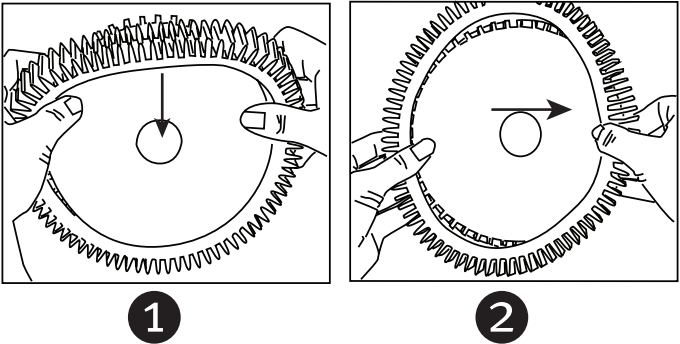
## Turbine Vanes/Blades

The turbine vanes have to be placed in the turbine hub a certain direction. We use the following mnemonic “The turbine vanes are like a wave breaking on the grill”. In the front of the unit the vanes are convex (like a mountain) in the back they are concave (like a valley). NOTE: The large elliptical end of the vanes is placed into the turbine.



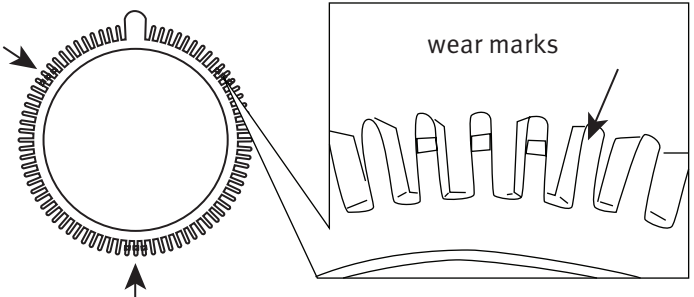
## Tires

### Removal and Replacement:



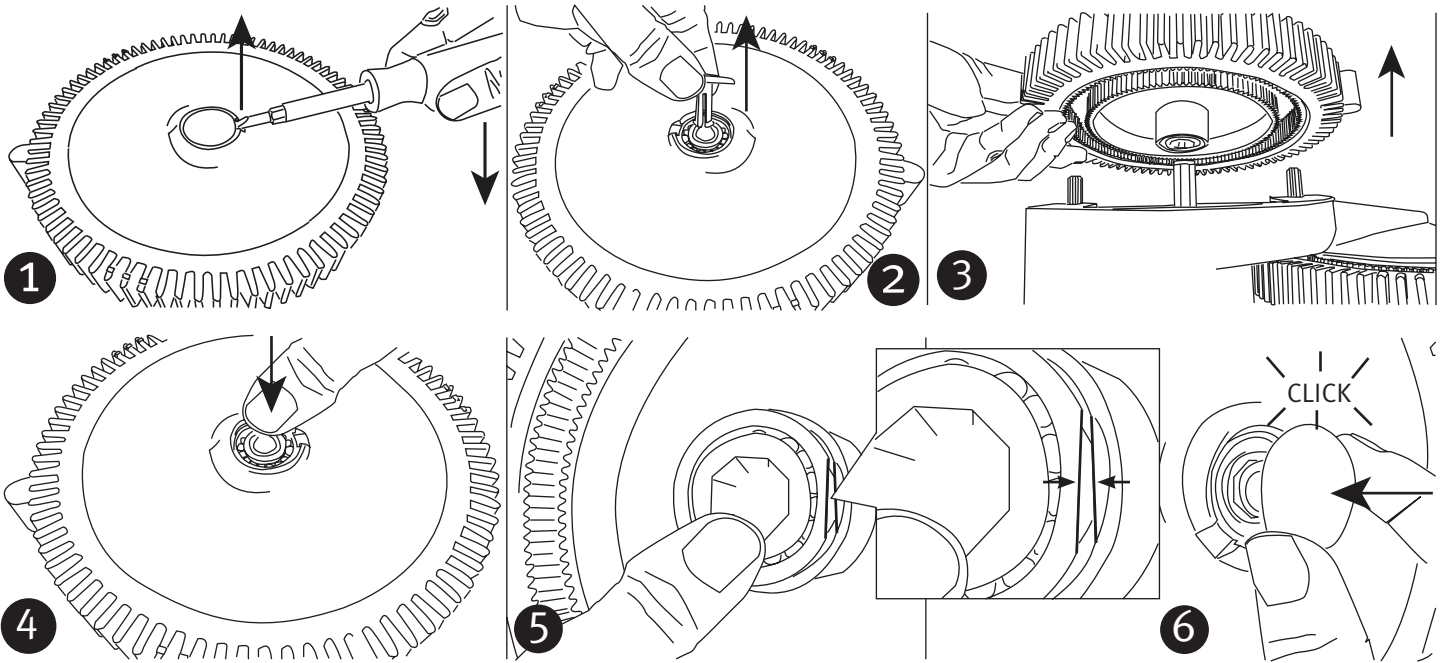
### Wear Marks:

The tires must be replaced when they are worn down to the tread wear indicators. Note: if you can't see them you are worn past them.



 **USING CLEANER WITH WORN TIRES MAY DAMAGE POOL SURFACE OR TRIM!**

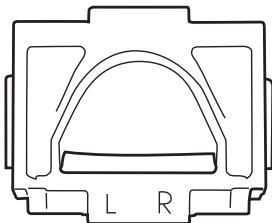
# Wheel or Bearing Removal & Replacement



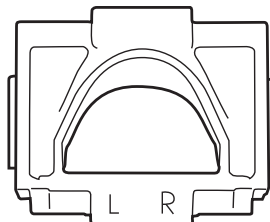
When the unit is reassembled turn the right front wheel (looking from behind) and make sure everything turns smoothly.

# Skirt and Inlet Removal & Replacement

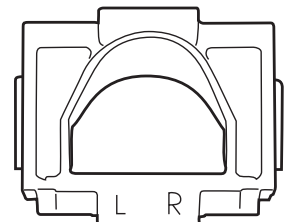
**Inlet Sizes:**



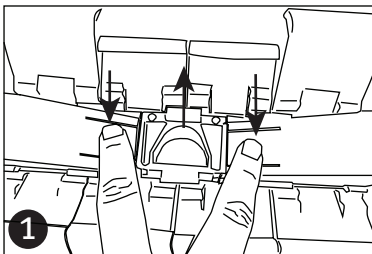
**Small\***  
small pump/variable speed  
low flow



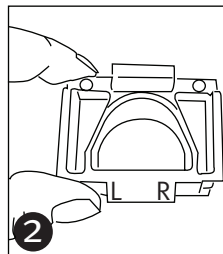
**Medium**  
average pump  
normal flow



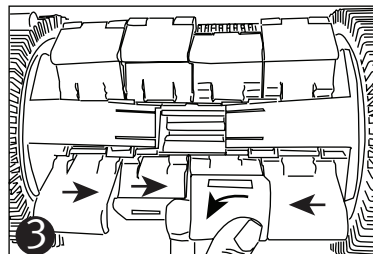
**Large**  
large pump  
high flow



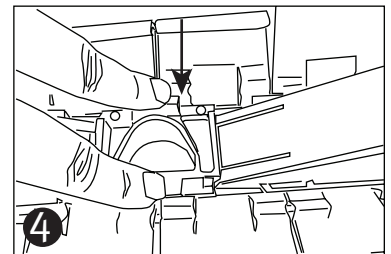
1 Turn the unit upside down and press with both fingers on both sides of the inlet. While pushing down pull up on the inlet.



2 Remove the inlet.



3 Once the inlet is removed you can remove any debris that is in the turbine chamber. You can also remove and replace the skirt/bracket assemblies. One of the middle skirt/brackets can be easily pulled out. Once one assembly is out you can slide the others out easily to replace.



4 Once any debris has been removed or the skirts have been replaced replace the inlet. Note it can only be inserted in one direction and once it is in it should clip on both sides. Note: if it does not clip in then you have it the wrong way around (it is marked L and R).

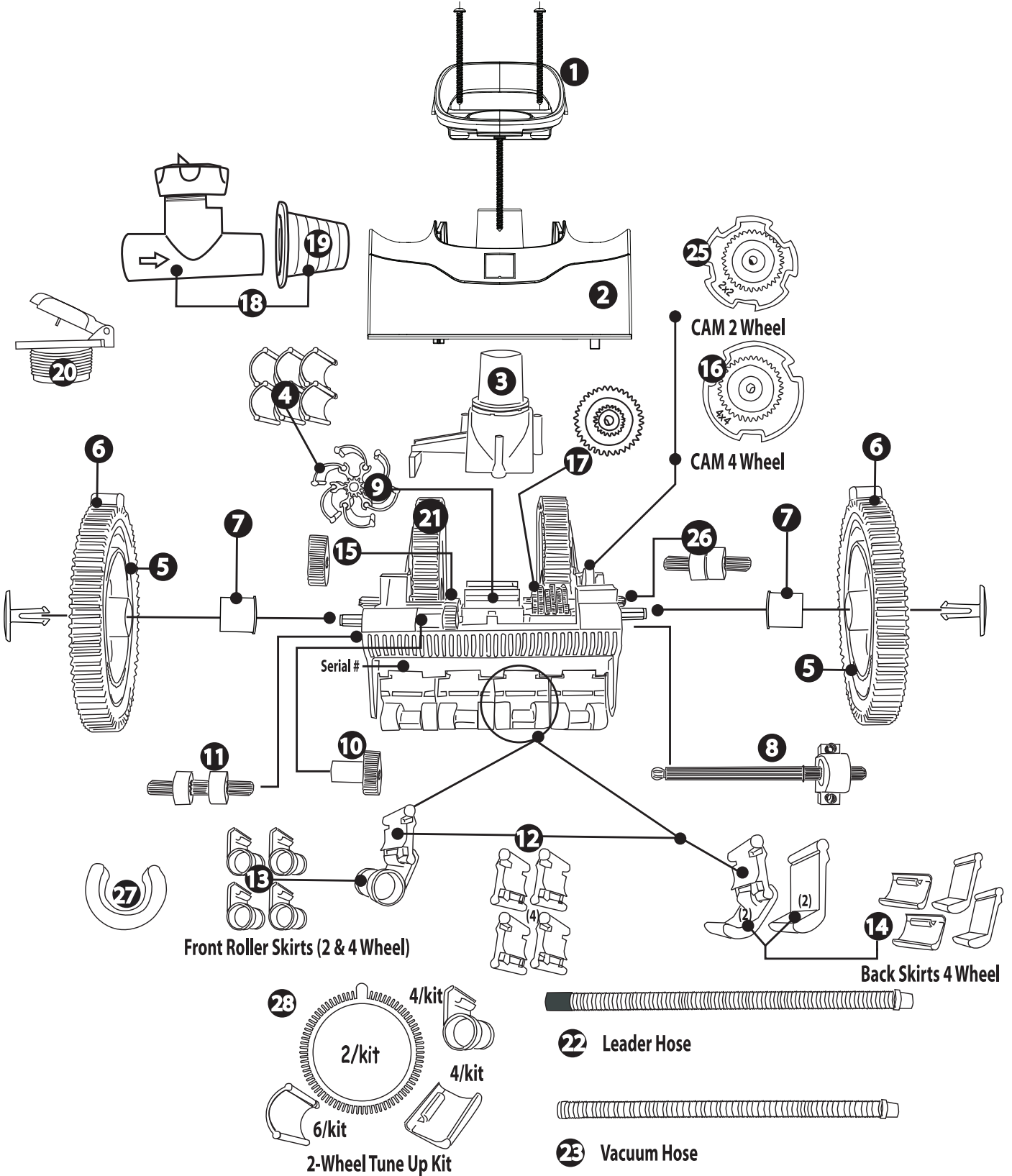
**7** \*Low flow applications may affect cleaners ability to climb walls.



# Troubleshooting; ALWAYS TURN OFF THE SYSTEM BEFORE PERFORMING ANY REPAIRS.

Problem	Solution
Cleaner doesn't move or moves too slow.	<ul style="list-style-type: none"><li>•Check wheel RPM.</li><li>•Obstruction in the cleaner itself. If there was an obstruction make sure vanes are replaced correctly.</li><li>•The pump may be turned off or on low speed.</li><li>•The pump may not be primed. Check for leaks in the system (symptoms--bubbles from the returns ?) Possible other problem or obstruction in the system. Pump impeller blocked? Filter needs backwashing. Clean pump basket, skimmers.</li><li>•Turbine vanes/blades in wrong direction and/or wrong side.</li><li>•Problem or obstruction in the system.</li><li>•Obstruction in the cleaner itself.</li><li>•Low wheel RPM (insufficient flow).</li></ul>
The right wheel will not turn when rotated by hand. (looking from behind)	<ul style="list-style-type: none"><li>•Obstruction in the cleaner itself.</li></ul>
The right wheel skips teeth when rotated forward by hand. (looking from behind)	<ul style="list-style-type: none"><li>•Wheel hub or right drive gear worn/damaged.</li></ul>
The loops in the hoses won't come out.	<ul style="list-style-type: none"><li>•The hoses have been stored in a coiled position. Lay them straight in the sunlight.</li><li>•Clean swivel on cleaner head by running it under a tap.</li><li>•Leaf canister it may be in wrong place or not floating.</li></ul>
The cleaner turns in circles, it wont go straight at all.	<ul style="list-style-type: none"><li>•Wheel hub and/or large drive gear and/or steering slide assembly and/or right drive gear are worn or damaged.</li></ul>
The cleaner does not clean the entire pool.	<ul style="list-style-type: none"><li>•The hose is too short.</li><li>•The float(s) may be in the wrong position. Should be 22-24" from cleaner head.</li><li>•The Hose Cone Swivel (on the turbine cover) may be dirty.</li><li>•The return fittings may be pushing the cleaner hoses away. Point them down.</li></ul>
The cleaner climbs the wall too much or climbs out.	<ul style="list-style-type: none"><li>•The tire treads and skirts may be worn down.</li><li>•Too much suction or flow.</li><li>•You are not using the Bypass Valve (if hook up is in skimmer).</li><li>•Auto skim plate/vac plate needs adjustment.</li></ul>
The cleaner won't climb the wall.	<ul style="list-style-type: none"><li>•Too little suction or flow.</li><li>•Float may be in the wrong position.</li></ul>
When the pump turns off the hoses pop out of the skimmer or suction inlet.	<ul style="list-style-type: none"><li>•Make sure hose cone is properly placed into inlet/port/water gate.</li><li>•Air in system. When pump shuts off air goes path of least resistance and pops out the hose. Fix air leak.</li></ul>
Wheels are wobbly.	<ul style="list-style-type: none"><li>•Bearings are worn please replace.</li></ul>
The cleaner falls on its side and takes too long to recover.	<ul style="list-style-type: none"><li>•The float(s) may be in the wrong position or missing.</li><li>•The hose is too short.</li><li>•The return fittings may be pushing the cleaner hoses away.</li><li>•Check wheel RPM.</li></ul>
Turbine vanes /blades pop out of turbine.	<ul style="list-style-type: none"><li>•Wrong side of vane in the turbine hub. Large oval side should be in turbine.</li><li>•Turbine hub possibly worn.</li></ul>

# Parts Exploded View



# Parts List

Fig #	Part #	Which Cleaner(s)	Description
1	896584000-204	2X/4X/2XLE/4XLE	Top Shroud Screw Kit (3 screws per kit)
2	896584000-181	2X/4X	Top Shroud Kit White Suction(3 screws and shroud per kit)
3	896584000-068	2X/4X	Upper Body Assembly (Turbine Cover) White
4	896584000-167	2X/4X/2XLE/4XLE	Turbine Vane Kit (6 Vanes per kit)
5	896584000-051B	2X/4X/PC	Wheel Sub Assembly White
6	896584000-143	2X/4X/PC	Front Tire Kit with SUPER humps Blue (solid hump) 2/kit Concrete
7	896584000-976	ALL CLNRS	Wheel Bearing
8	896584000-136	ALL CLNRS	Steering Assembly Kit
9	896584000-365	2X/4X/2XLE/4XLE	Turbine Hub with Vanes
10	896584000-457	ALL CLNRS	Large Drive Gear
11	896584000-112	ALL CLNRS	Front Right Gear Drive Assembly
12	896584000-419	2X/4X	Bracket for Skirts White (4 per Kit)
13	896584000-259	2X/4X	Skirts with Rollers (4 per kit) Front of 2X & 4X and back of 2X
14	896584000-105	4X	Skirt Kit B (For Back on 4x only) (2/2)
15	896584000-464	ALL CLNRS	Small Drive Gear
16	896584000-242	4X/4XLE	4X Steering Cam
17	896584000-471	ALL CLNRS	Reduction Gear
18	896584000-952	2X/4X	Adjustable Regulator Valve White with Blue Hose Cone
19	896584000-172	2X/4X	Hose Cone
20	896584000-488	2X/4X	Water Gate (Suction Port Door) White
21	896584000-082	4X/PC	Back Tire Replacement Blue (2 in a kit)
22	896584000-211	2X/4X	Leader Hose (with the grey cuff) Suction ONLY
23	896584000-228	2X/4X	Vacuum Hose (1 meter) Suction ONLY
25	896584000-235	2X/2XLE	2X Steering Cam
26	896584000-129	4X/4XLE/PC/PCLE	Rear Wheel Bearing and Shaft Kit
27	896584000-280	2X/4X/PC	Universal PoolCleaner Float
28	896584000-426	2X	2 Wheel Tune Up Kit (2 tires, 6 vanes, 4 front /4 back skirts)
29	896584000-600	2XLE/4XLE	Top Shroud Kit (3 screws and shroud per kit) Gray
30	896584000-549	2XLE/4XLE	Upper Body Assembly for Limited Edition Units Gray
31	896584000-563	4XLE/PCLE	Back Tire Replacement Black (2 in a kit)
32	896584000-532B	2XLE/4XLE/PCLE	Wheel Sub Assembly for Limited Edition Gray
33	896584000-594	2XLE/4XLE/PCLE	Front Tire Kit with SUPER humps Black (solid hump) 2/kit Concrete
34	896584000-648	2XLE/4XLE	Bracket for skirts (4 per kit) Limited Edition Black
35	896584000-655	2XLE/4XLE	Skirts with Rollers (4 per kit)Front of All Limited Ed Suction Black& back 2XLE
36	896584000-587	4XLE	Skirt Kit B (For Back on 4x only) (2/2)Limited Edition Black
38	896584000-631	2XLE/4XLE/PCLE	Float (1 per kit) (2 need for suction clnr one for pressure) Black
39	896584000-662	2XLE/4XLE	Hose Cone Limited Edition Black
40	896584000-495	2XLE/4XLE	Water Gate (Suction Port Door) Limited Edition Gray
41	896584000-730	2XLE	2 Wheel LIMITED Tune Up Kit (2 tires, 6 vanes, 4/4 skirts) Black
42	896584000-617	2XLE/4XLE	Leader Hose Suction Only Limited Edition Gray
43	896584000-624	2XLE/4XLE	Vacuum Hose Suction Only Limited Edition Gray
44	896584000-969	2XLE/4XLE	Adjustable Regulator Valve Black with Black Hose Cone
	896584000-075	2X/4X	Front Tire Replacement Blue (2 in a kit) Fiberglass and Vinyl
	896584000-150	2X/4X	Float (two halves) OLD STYLE
	896584000-334	2X/4X/PC	Solid Front Tire for Tile Pools (2 per kit) Blue
	896584000-372	4X/PC	Solid Back Tire for Tile Pools (2 per kit)
	896584000-679	2X/4X/2XLE/4XLE/PC	Super Super Hump Tires Blue (2 per Kit) for BIG obstacles
	896584000-556	2XLE/4XLE/PCLE	Front Tire Replacement Black Limited (2 per kit) Fiberglass and Vinyl
	896584000-723	2X/4X/2XLE/4XLE/PC	Super Super Hump Tires Black Limited Ed(2 per Kit) for BIG obstacles
	896584000-716	2XLE/4XLE/PCLE	Solid Front Tire for Tile Pools (2 per kit) Black Limited Ed
	896584000-761	4XLE/PCLE	Solid Back Tire for Tile Pools (2 per kit) Black Limited Ed
	896584000-501	ALL CLNRS	PoolCleaner Keeper
	896584000-938	2X/4X/PC	Solid Super Super Hump Tires Blue (2 per kit)
	896584000-945	2XLE/4XLE/PCLE	Solid Super Super Hump Tires Black (2 per kit)



# Hayward Pool Products Limited Warranty

---

To original purchasers of this equipment, Hayward Pool Products, Inc, warrants AquaNaut cleaners to be free from defects in materials and workmanship for a period of ONE (1) year from the date of purchase, when used in single family residential applications.

The limited warranty excludes damage from freezing, negligence, improper installation, improper use or care or any Acts of God. Parts that fail from a defect or become defective during the warranty period shall be repaired or replaced, at our option, within 90 days of the receipt of defective product, barring unforeseen delays, without charge.

Proof of purchase is required for warranty service. In the event proof of purchase is not available, the manufacturing date of the product will be the sole determination of the purchase date.

To obtain warranty service, please contact the place of purchase or the nearest Hayward Authorized Service Center. For assistance on your nearest Hayward Authorized Service Center please visit us at [www.hayward-pool.com](http://www.hayward-pool.com).

Hayward shall not be responsible for cartage, removal, repair or installation labor or any other such costs incurred in obtaining warranty replacements or repair.

The Hayward Pool products warranty does not apply to components manufactured by others. For such products, the warranty established by the respective manufacturer will apply.

The express limited warranty above constitutes the entire warranty of Hayward Pool Products with respect to its' pool products and is in lieu of all other warranties expressed or implied, including warranties of merchantability or fitness for a particular purpose. In no event shall Hayward Pool products be responsible for any consequential, special or incidental damages of any nature.

Some states do not allow a limitation on how long an implied warranty lasts, or the exclusion of incidental or consequential damages, so the above limitation may not apply to you. This warranty gives you specific legal rights, and you may also have other rights, which vary from state to state.

# Warranty Registration Card

DETACH HERE: Fill out bottom portion completely and mail within 10 days of purchase/installation or register online.

POOLVERGNEUGEN

WARRANTY REGISTRATION CARD

Register online at [www.haywardnet.com](http://www.haywardnet.com)

Please Print Clearly:

First Name \_\_\_\_\_

Last Name \_\_\_\_\_

Street Address \_\_\_\_\_

City \_\_\_\_\_ State \_\_\_\_\_ Zip \_\_\_\_\_

Phone Number \_\_\_\_\_ Purchase Date \_\_\_\_\_

E-Mail Address \_\_\_\_\_

Serial Number \_\_\_\_\_

Model Number \_\_\_\_\_

Pool Capacity \_\_\_\_\_ (U.S. Gallons)

Please include me on all e-mail communications regarding Hayward® Equipment or promotions.

Mail to: Hayward Pool Products, 620 Division Street, Elizabeth, NJ 07207

Attn: Warranty Dept

or REGISTER YOUR WARRANTY ON-LINE AT [WWW.HAYWARDNET.COM](http://WWW.HAYWARDNET.COM)

Thank you for your purchase.

Years Pool has been in service

< 1 year  1-3  4-5  6-10  11-15  >15

Purchased from

Builder  Retailer  Pool Service  Internet/Catalog

Company Name \_\_\_\_\_

Address \_\_\_\_\_

City \_\_\_\_\_ State \_\_\_\_\_ Zip \_\_\_\_\_

Phone \_\_\_\_\_

Type of Pool:

Concrete/Gunite  Vinyl  Fiberglass

Other \_\_\_\_\_

New Installation  Replacement

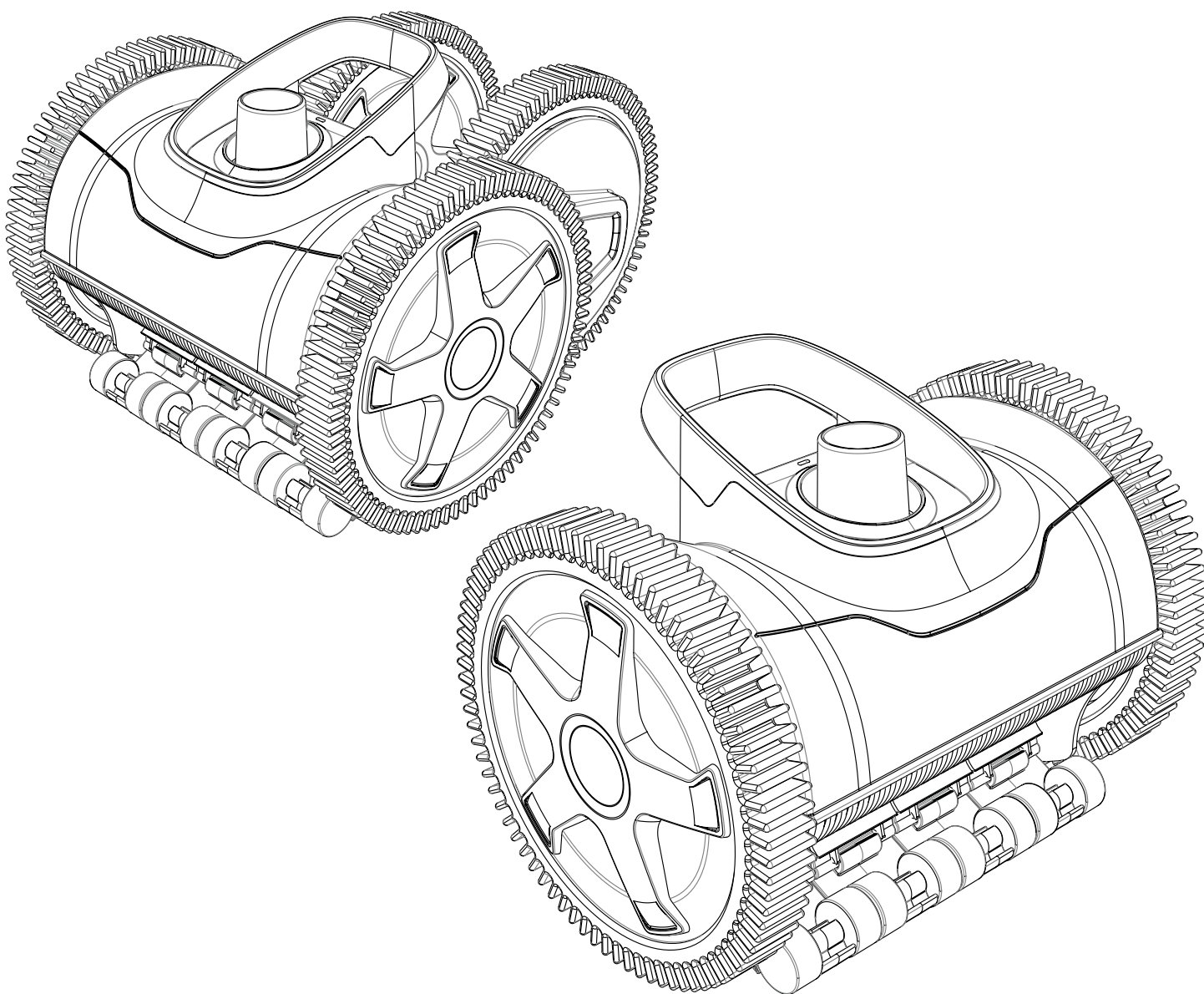
Installation for:

In Ground  Above Ground  Spa

---

## Manuel du propriétaire Nettoyeurs à aspiration à 2 roues et 4 roues

---



# CARACTÉRISTIQUES

---

## AUBES DE TURBINE AUTOAJUSTABLES

Tous les nettoyeurs sont dotés d'aubes de turbine autoajustables brevetées qui maximisent la puissance obtenue du débit d'eau. Ce type de turbine ressemble à une roue à palettes dotée de palettes ajustables. Cette caractéristique permet au nettoyeur de se déplacer même lorsque l'aspiration et la pression sont faibles. De plus, parce que les aubes de la turbine se replient, les débris plus volumineux passent facilement au travers le nettoyeur.

## SYSTÈME DE DIRECTION

Les nettoyeurs à aspiration 2x et 4x sont dotés d'un système de direction interne programmé qui fait en sorte que la roue gauche roule périodiquement en sens inverse permettant ainsi au nettoyeur de tourner et de se déplacer ensuite dans une autre direction. Dans le cas du nettoyeur à aspiration 2x, cinq différents changements de direction, allant de 90 à 450 degrés, sont programmés. Pour le nettoyeur à aspiration 4x, ce sont trois différents changements de direction, allant de 90 à 540 degrés, qui sont programmés. Cette caractéristique permet non seulement au nettoyeur de couvrir la partie profonde de la piscine, mais lui permet également de couvrir la partie peu profonde.

Ce système de direction permet au nettoyeur à aspiration 2x de parcourir entre 2,4 m et 3 m avant de changer de direction et au nettoyeur à aspiration 4x d'en parcourir entre 3,5 m et 4,3 m. Ce nettoyeur nettoie la partie peu profonde de la piscine plus que tout autre nettoyeur. Le nettoyeur fonctionne tout aussi bien dans le cas de surfaces inégales ou de formes inhabituelles. Il ne se coincera pas dans un coin ou sur un drain de fond.

## BANDES DE ROULEMENT ROBUSTES

Un seul coup d'œil et vous verrez pourquoi les bandes de roulement brevetées des pneus confèrent à ce nettoyeur une plus grande habileté à grimper aux parois et à contourner les obstacles. Les pneus sont dotés de marqueurs d'usure qui vous indiquent lorsqu'il est temps de les remplacer. Les pneus avant du nettoyeur sont dotés de saillies (sculptures surélevées) qui permettent au nettoyeur de passer par-dessous tout obstacle de taille raisonnable, comme le drain de fond ou des surfaces inégales. Ce nettoyeur est donc parfait pour toutes les surfaces et formes de piscines.

## CÔNE PIVOTANT AUTONETTOYANT

Cette caractéristique permet au nettoyeur de tourner librement sur lui-même et sans restriction en raison du boyau même s'il y a accumulation de débris dans le cône pivotant du boyau. Par autonettoyage, le cône empêche le boyau de s'enrouler sur lui-même. (Remarque : À l'occasion, lorsqu'il y a beaucoup de débris, il faut le mettre sous le robinet pour le nettoyer.)

## POUR GRIMPER LES PAROIS

Le nettoyeur grimpera les parois d'une piscine seulement si le rayon entre le fond et la paroi de la piscine le permet. Le nettoyeur est doté de volets brevetés qui lui permettent de maintenir une aspiration optimale sous l'appareil même lorsqu'il rencontre des obstacles. Lorsque le nettoyeur rencontre un obstacle, un ou des volets se relèvent (s'ajustent) au-dessus de l'obstacle, tout en maintenant l'aspiration sous le nettoyeur.

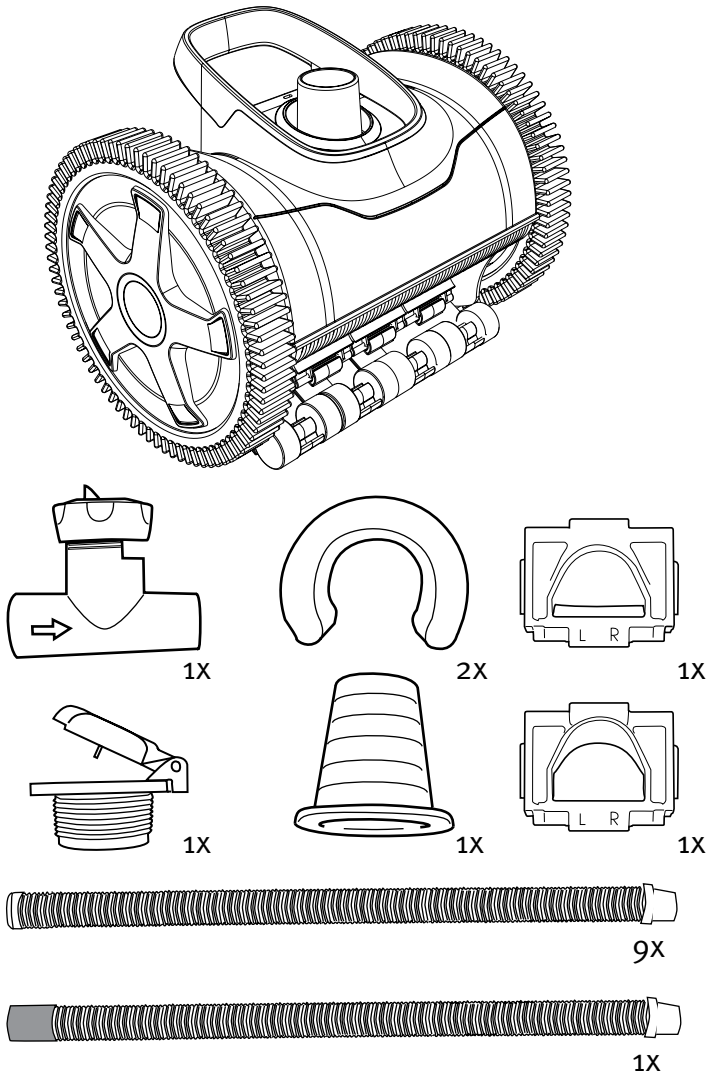
# FAITS CONCERNANT LA SÉCURITÉ

---

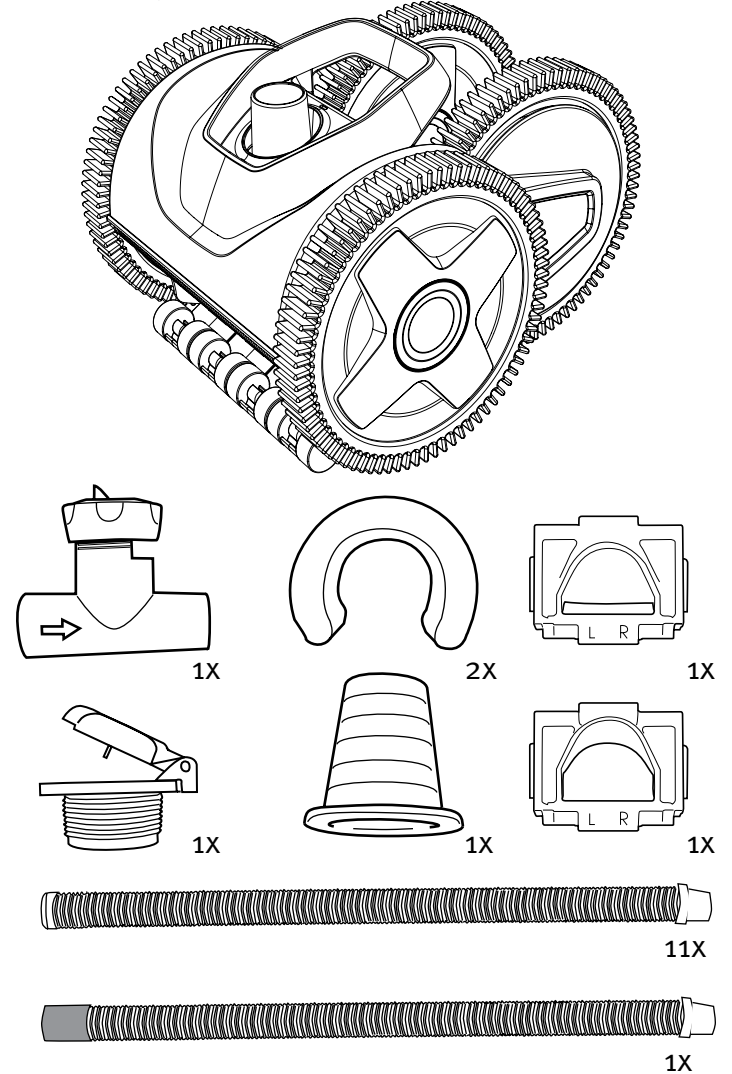
- **N'UTILISEZ PAS** le nettoyeur pour retirer de gros débris d'une nouvelle piscine.
- **RETIREZ** le nettoyeur de la piscine avant d'effectuer un traitement-choc chimique.
- **NE VOUS BAIGNEZ PAS** lorsque le nettoyeur est dans la piscine.
- Ranger le nettoyeur dans un endroit sécuritaire à l'abri du soleil.
- Les boyaux doivent être rangés déroulés. **N'ENROULEZ PAS** les boyaux.
- Conservez hors de la portée des enfants et des animaux de compagnie.
- **RETIREZ** le nettoyeur de la piscine lorsque vous effectuez un lavage à contre-courant.
- **N'OUBLIEZ PAS : LA SÉCURITÉ AVANT TOUT**

# PIÈCES

## Modèle à 2 roues



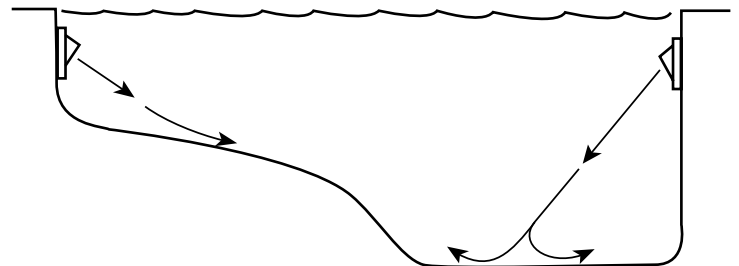
## Modèle à 4 roues



## Installation du nettoyeur

### ÉTAPE 1; préparer votre piscine.

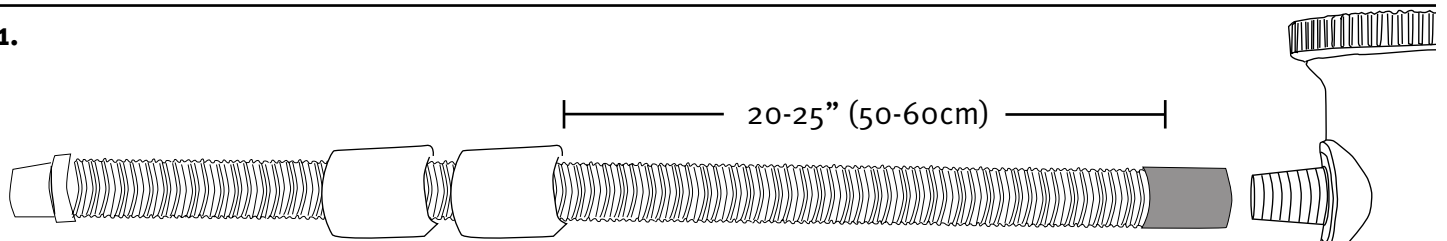
1. Enlevez manuellement les très gros débris ou tout excès de débris de votre piscine (p. ex., après une tempête, au moment du nettoyage du printemps ou lors de l'ouverture de la piscine).
2. Effectuez un lavage à contre-courant; nettoyez le filtre, les paniers des écumeurs et la crépine de la pompe.
3. Assurez-vous que la chimie de l'eau de votre piscine est équilibrée. Si tel n'est pas le cas, c'est maintenant le temps de le faire. Si vous avez effectué un traitement-choc chimique, patientez un ou deux jours avant de continuer.
4. Pointez tous les raccords de jets de retour vers le bas.



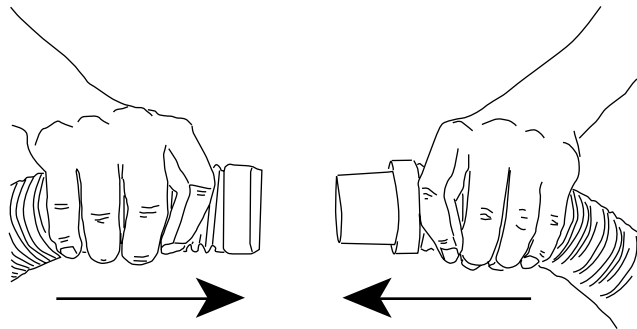


**ÉTAPE 2;** raccorder les boyaux.

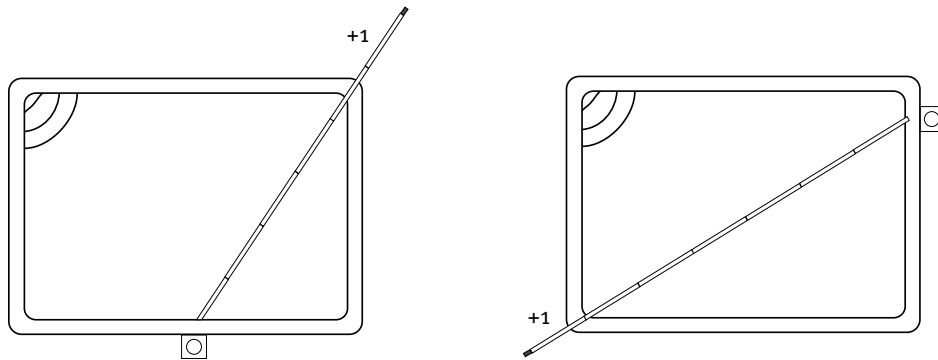
1.



2.

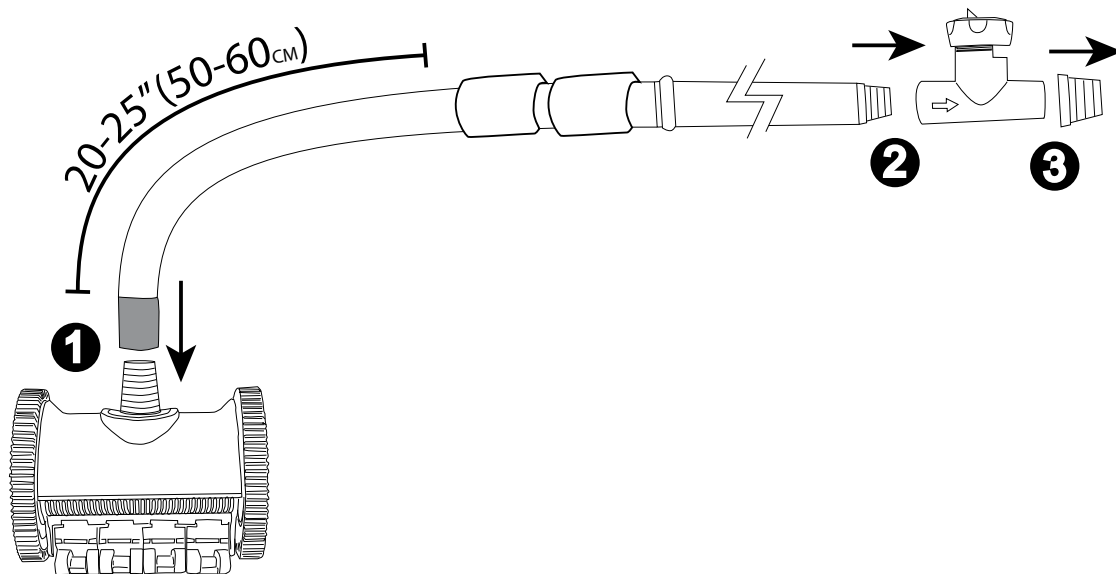


3.



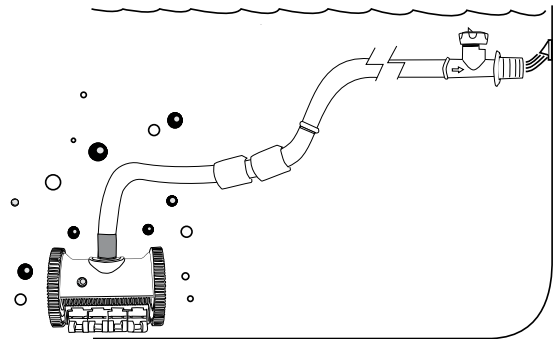
**ÉTAPE 3;** raccorder au nettoyeur.

**3**



## ÉTAPE 4; submerger le nettoyeur.

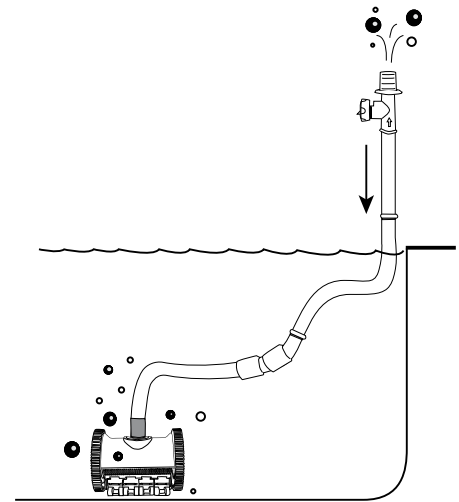
Abaissez le nettoyeur sous l'eau. Alors que la pompe fonctionne, placez le bout du boyau doté du régulateur ajustable (si vous en avez besoin) devant un des raccords de jets de retour pour expulser l'air contenu dans le boyau et le nettoyeur.



OU

Alors que la pompe ne fonctionne pas, abaissez le nettoyeur et poussez ensuite le boyau verticalement dans l'eau jusqu'à ce qu'il soit complètement rempli d'eau.

DE L'AIR NE DOIT PAS ÊTRE COINCÉ À L'INTÉRIEUR DU BOYAU OU DU NETTOYEUR!!



## ÉTAPE 5; raccorder à l'aspiration.

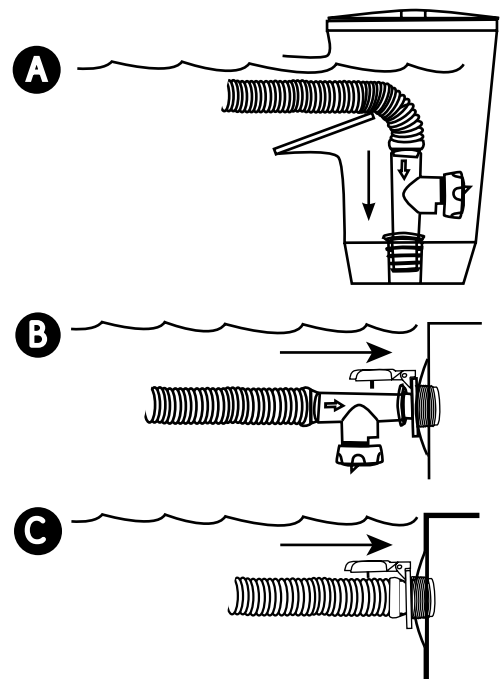
1. Assurez-vous que la pompe du filtre NE FONCTIONNE PAS. L'ASPIRATION PEUT S'AVÉRER TRÈS DANGEREUSE!!!

2. Si vous raccordez le nettoyeur à l'écumoire, enfoncez fermement le bout doté du régulateur ajustable et le cône du boyau (adaptateur du régulateur) dans le fond de votre écumoire (consultez l'image A).

3. Si vous raccordez le nettoyeur à un port ou ligne d'aspiration filetée réservée, vissez le Vac Lock et insérez le régulateur ajustable (consultez l'image B).

OU Insérez le boyau directement dans le Vac Lock et utilisez une vanne à 3 voies ou robinet à bille afin d'obtenir un rendement adéquat lorsqu'un régulateur ajustable n'est pas utilisé (consultez l'image C).

4. Redémarrez ensuite la pompe.



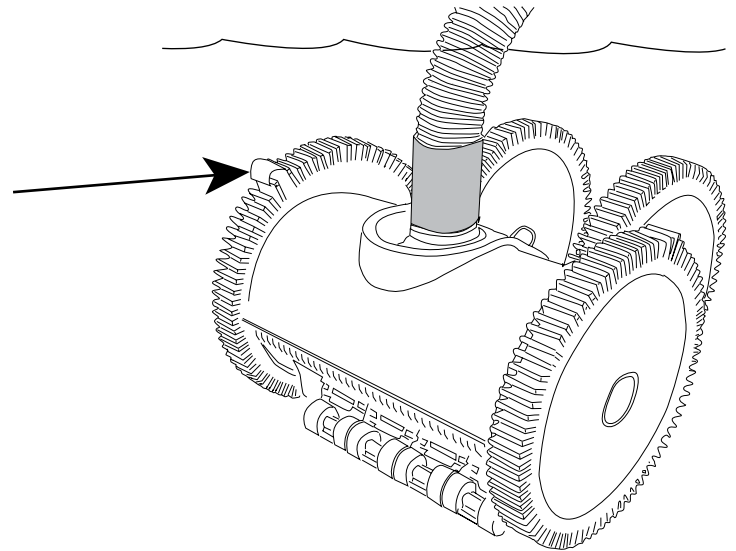
## ÉTAPE 6 ; ajuster le nettoyeur.

**AJUSTER LE NOMBRE DE TR/MIN DES ROUES :** Pour que le nettoyeur fonction de façon optimale, le nombre de tours par minute (tr/min) doit se situer entre 11 et 14 (à noter que le nettoyeur nettoiera même à aussi peu que 8 tr/min, mais dans ces conditions, il NE POURRA PAS grimper les parois).

Alors que le nettoyeur fonctionne, saisissez-le par le boyau de raccordement de sorte qu'il soit tout juste sous le niveau de l'eau. (ASSUREZ-VOUS QUE LE NETTOYEUR EST TOUJOURS SOUS L'EAU, sinon il aspirera de l'air.) Comptez alors le nombre de tours par minute qu'effectue la ROUE AVANT DROITE en utilisant la saillie (sculpture surélevée) sur le pneu comme marqueur. Si le nombre de tr/min se situe entre 11 et 14, aucun ajustement n'est nécessaire.

Si le nombre de tr/min ne se situe pas dans cet intervalle, vous pouvez procéder à l'ajustement de deux façons.

**REMARQUE :** Sur un manomètre à vide, ceci correspond à une lecture entre 17,8 et 25,4 cm de mercure. Un manomètre à vide n'est PAS inclus avec le nettoyeur, mais vous pouvez vous en procurer un chez un détaillant de piscines près de chez vous.

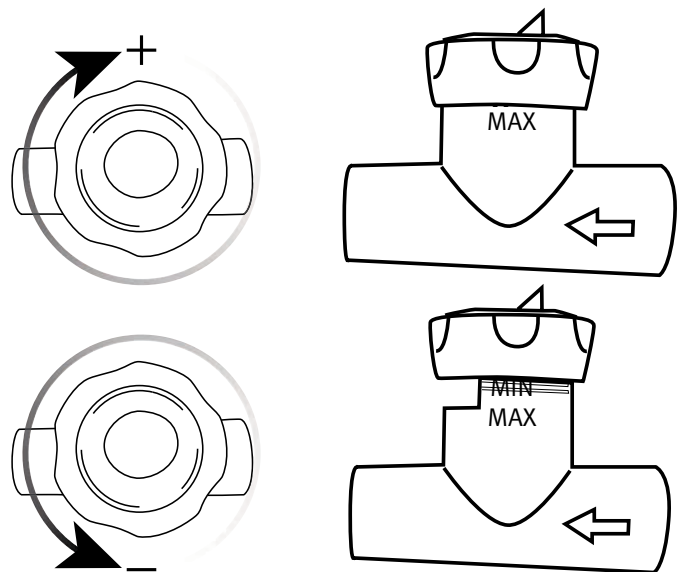


Une vanne de décharge régule l'aspiration de sorte que le nettoyeur ne dépasse pas les 11 à 14 tr/min (tours par minutes) optimaux. Pour ce faire, la vanne s'ouvre sur une conduite de décharge au besoin. Ceci assure le meilleur rendement possible pour votre nettoyeur.

### 1. AJUSTER LA VANNE DE DÉCHARGE :

En vissant le haut, moins d'eau sera détournée vers la conduite de décharge et, par conséquent, le nombre de tr/min augmentera (vitesse). Si le haut est vissé complètement et que le nombre de tr/min est toujours inférieur à 11 tr/min, ajustez la vanne à 3 voies afin d'obtenir plus d'aspiration et/ou nettoyez le filtre. Enlevez la vanne.

En dévissant le haut, plus d'eau sera détournée vers la conduite de décharge et, par conséquent, le nombre de tr/min diminuera (vitesse). Si le haut est dévissé complètement et que le nombre de tr/min est toujours supérieur à 14 tr/min, ajustez la vanne à 3 voies afin d'obtenir moins d'aspiration. Remarque : Si la ligne à laquelle est raccordé le nettoyeur (écu-moire ou entrée) est dotée d'une vanne à 3 voies ou un robinet à bille, vous devrez possiblement ajuster la vanne à 3 voies ou le robinet à bille même si vous utilisez un régulateur.

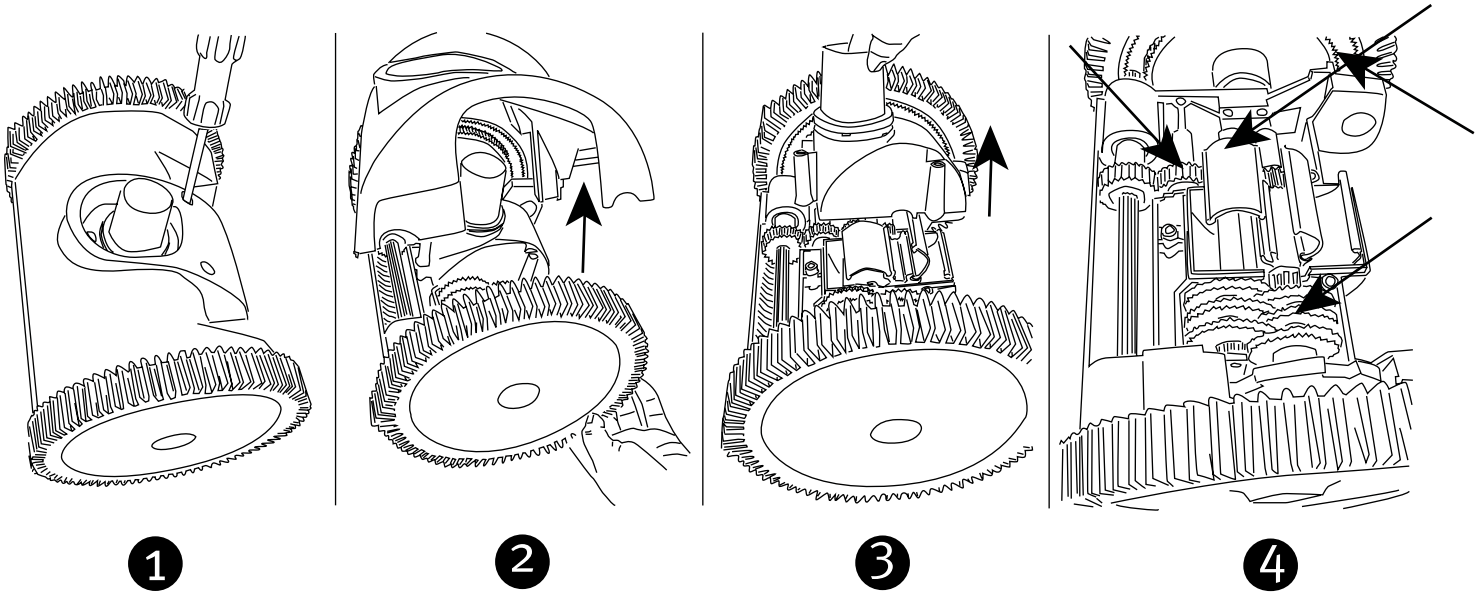


### 2. AJUSTER LE DÉBIT :

Ajustez le débit de la ligne d'aspiration ou de la ligne de l'écu-moire afin d'obtenir un débit adéquat.

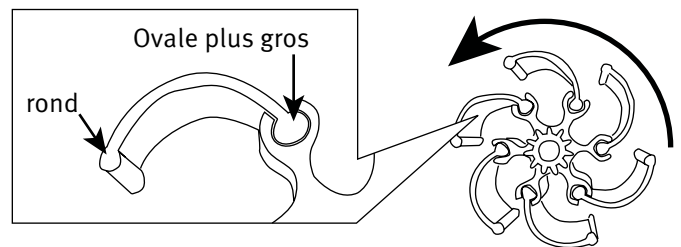
# Entretien du nettoyeur

## Pour enlever les obstructions



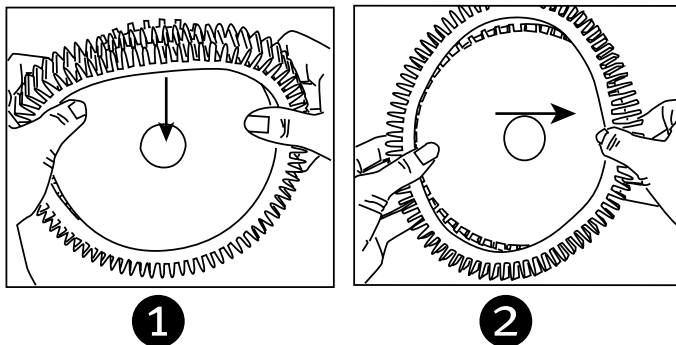
## Aubes de la turbine et pales

Les aubes de la turbine doivent être insérées dans le moyeu de la turbine dans une direction particulière. Utilisez la mnémonique suivante : « Les aubes de la turbine sont comme une vague qui se brise sur la calandre ». À l'avant de l'unité, les aubes sont convexes (comme une montagne) tandis qu'à l'arrière, elles sont concaves (comme une vallée). REMARQUE : Le bout elliptique plus gros des aubes doit être inséré dans la turbine.



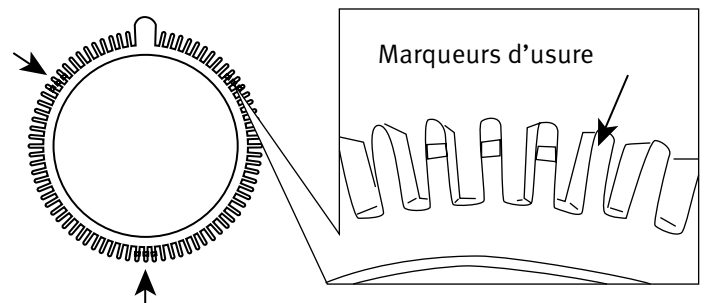
## Pneus

Pour enlever et remplacer :



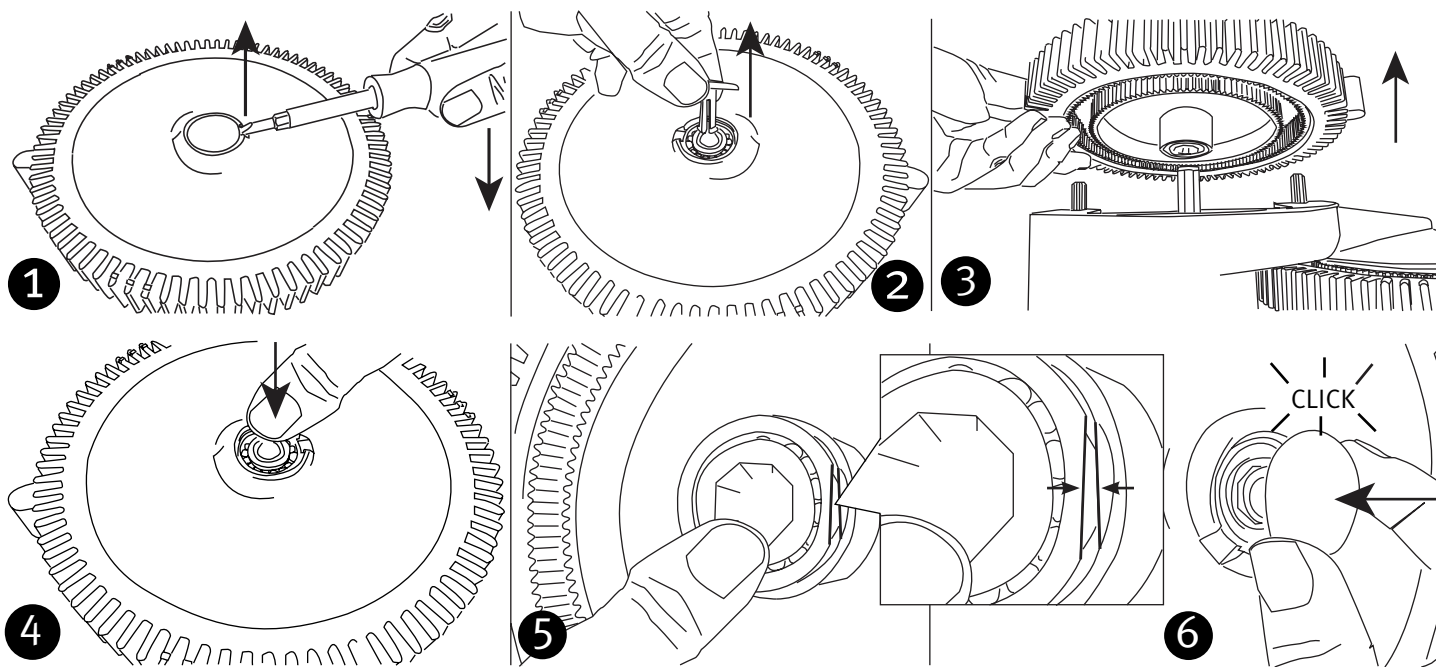
**Marqueurs d'usure :**

Les pneus doivent être remplacés lorsqu'ils sont usés jusqu'aux marqueurs d'usure. Remarque : Si vous ne pouvez pas voir les marqueurs, le pneu est donc usé au-delà des marqueurs d'usure.



**L'UTILISATION DU NETTOYEUR LORSQUE LES PNEUS SONT USÉS POURRAIT ENDOMMAGER LA SURFACE OU LE REBORD DE LA PISCINE!**

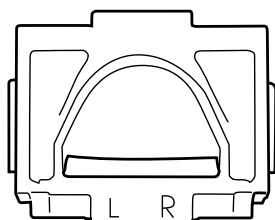
## Pour enlever et remplacer une roue ou un palier



Une fois l'unité réassemblée, tournez la roue avant et, en regardant par l'arrière, assurez-vous que tout tourne librement.

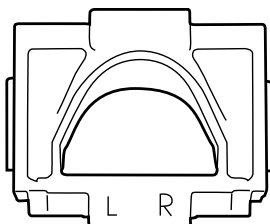
## Pour enlever et remplacer un volet ou un port d'entrée

Grosseurs des ports d'entrée :



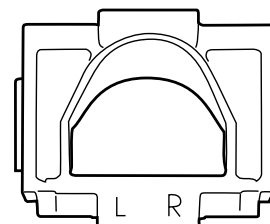
**Petit\***

Petite pompe/vitesse variable  
Faible débit



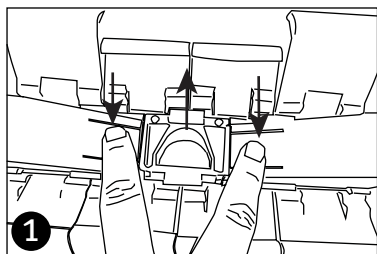
**Moyen**

Pompe de dimension  
moyenne



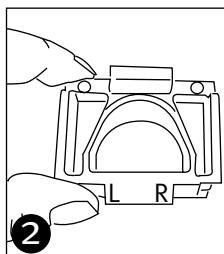
**Gros**

Grosse pompe  
Débit élevé



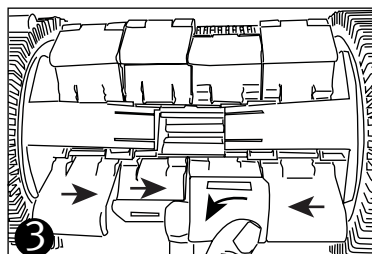
**1**

Retournez l'unité et, à l'aide de deux doigts, appuyez de chaque côté du port d'entrée. Alors que vous appuyez, soulevez le port d'entrée.



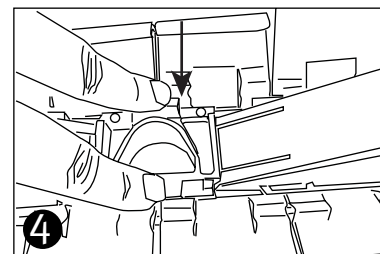
**2**

Enlevez le port d'entrée.



**3**

Une fois le port d'entrée enlevé, vous pouvez dégager tout débris présent dans le compartiment de la turbine. Vous pouvez également enlever et remplacer les supports et volets. Un des supports et volets situés au centre peut facilement être enlevé. Lorsqu'un support et un volet sont enlevés, vous pouvez facilement faire glisser les autres afin de les remplacer.



**4**

Une fois les débris délogés et/ou les volets remplacés, replacez le port d'entrée. Saquez que vous pouvez insérer le port d'entrée dans une seule direction et, une fois en place, les deux extrémités devraient s'enclencher. Remarque : Si le port d'entrée ne s'enclenche pas, vous l'avez inséré à l'envers (chaque bout est indiqué par L (gauche) et R (droite)).

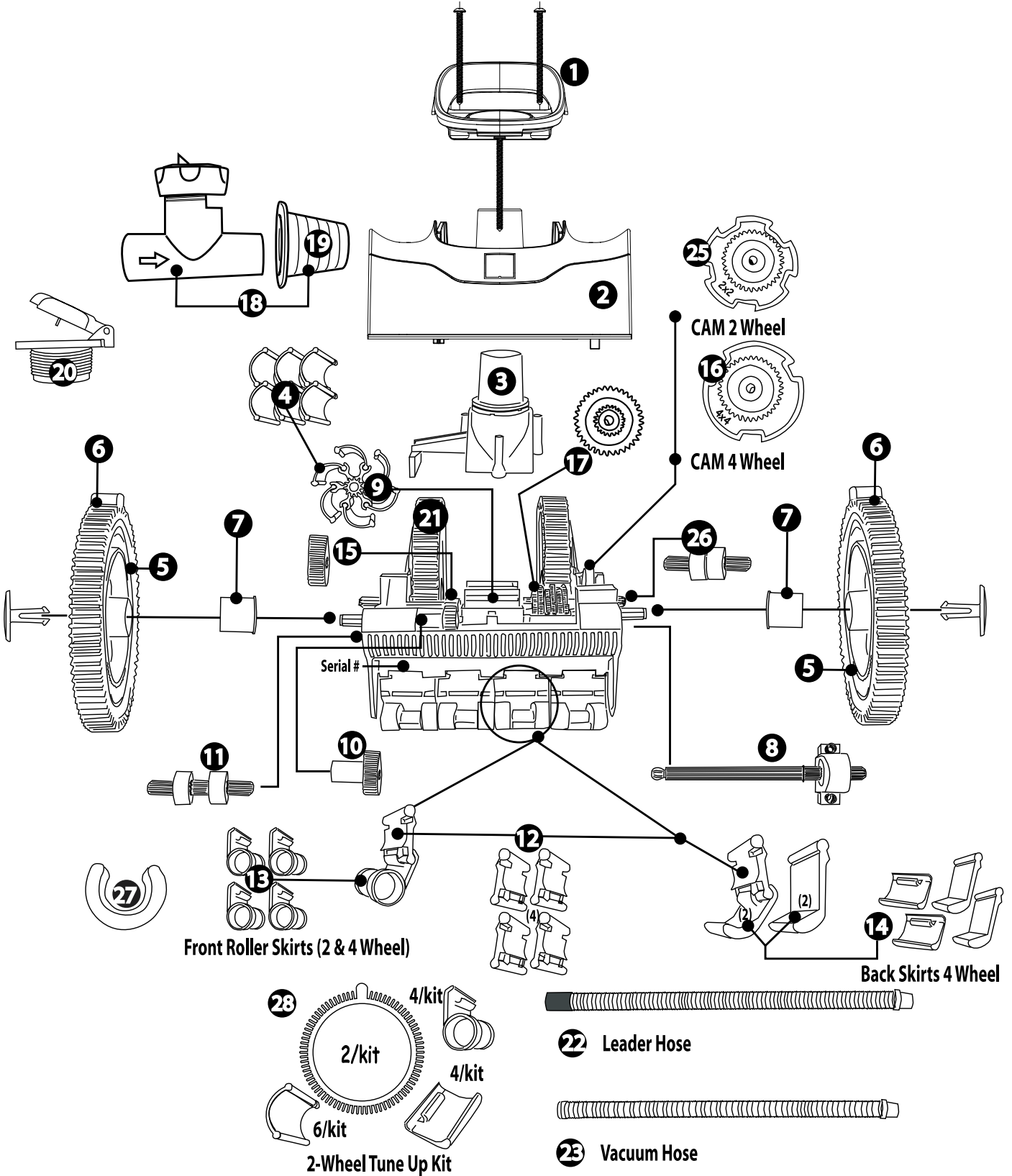
**7**

\*L'utilisation du nettoyeur en présence d'un faible débit peut avoir un impact sur sa capacité à grimper aux parois.

## Dépannage; AVANT DE PROCÉDER À TOUTE RÉPARATION, ARRÊTEZ TOUJOURS LE SYSTÈME.

Problème	Solution
Le nettoyeur ne se déplace pas ou se déplace trop lentement.	Vérifiez le nombre de tr/min de la roue. Obstruction dans le nettoyeur lui-même. S'il y avait une obstruction, assurez-vous de replacer correctement les aubes. La pompe pourrait ne pas fonctionner ou pourrait fonctionner à basse vitesse. La pompe pourrait ne pas être amorcée. Assurez-vous qu'il n'y a pas de fuites dans le système (indication d'une fuite : présence de bulles dans le jet de retour?). Autre problème ou obstruction dans le système. Le rotor de la pompe est-il coincé? Un lavage à contre-courant est nécessaire pour nettoyer le filtre. Nettoyez la crépine de la pompe et les paniers des écumoirs. Les aubes de la turbine ou les pales sont insérées dans la mauvaise direction ou du mauvais côté. Problème ou obstruction dans le système. Obstruction dans le nettoyeur lui-même. Le nombre de tr/min est bas (débit insuffisant).
La roue droite ne tourne pas lorsqu'elle est actionnée à la main (lorsque l'on regarde par l'arrière).	Obstruction dans le nettoyeur lui-même.
Lorsque l'on tourne la roue droite vers l'avant à la main, la roue saute des dents (en regardant par l'arrière).	Le moyeu de la roue ou l'engrenage d'entraînement droit sont usés ou endommagés.
Impossible de dérouler le tuyau.	Le boyau a été entreposé alors qu'il était enroulé. Déroulez le boyau et placez-le au soleil. Nettoyez le cône pivotant du nettoyeur en le passant sous l'eau d'un robinet. Le réservoir à feuilles pourrait être au mauvais endroit ou ne pas flotter.
Le nettoyeur tourne sur lui-même; il ne se déplace pas en ligne droite.	Le moyeu de la roue, le gros engrenage d'entraînement, le système de direction ou l'engrenage droit sont usés ou endommagés.
Le nettoyeur ne nettoie pas toute la surface de la piscine.	Le boyau est trop court. Le ou les flotteurs pourraient être placés incorrectement. Ils devraient être placés entre 56 cm et 61 cm de la tête du nettoyeur. Le cône pivotant du boyau (sur le couvercle de la turbine) pourrait être sale. Les raccords des jets de retour pourraient être positionnés de sorte à éloigner le boyau du nettoyeur. Assurez-vous qu'ils pointent vers le bas.
Le nettoyeur grimpe trop haut sur la paroi ou sort de la piscine.	Les bandes de roulement des pneus et les volets pourraient être usés. Trop d'aspiration ou un débit trop élevé. Vous n'utilisez pas la vanne de décharge (si le raccordement se fait dans l'écumoire). La plaque de l'écumoire ou la plaque d'aspiration automatique doit être ajustée.
Le nettoyeur ne grimpe pas la paroi.	Trop peu d'aspiration ou débit trop faible. Le ou les flotteurs pourraient être placés incorrectement.
Lorsque la pompe cesse de fonctionner, le boyau se détache brusquement de l'écumoire ou du port d'aspiration.	Assurez-vous que le boyau est placé adéquatement dans le port d'entrée ou la vanne de décharge. Il y a de l'air dans le système. Lorsque la pompe cesse de fonctionner, l'air emprisonné suit le parcours offrant le moins de résistance et s'échappe brusquement par le boyau. Réparez la fuite d'air.
Les roues sont instables.	Les paliers sont usés; veuillez les remplacer.
Le nettoyeur bascule sur le côté et prend trop de temps pour retrouver sa position normale.	Le ou les flotteurs pourraient être placés incorrectement ou sont manquants. Le boyau est trop court. Les raccords des jets de retour d'eau pourraient être placés de sorte à éloigner le boyau du nettoyeur. Vérifiez le nombre de tr/min de la roue.
Les aubes de la turbine ou les pales sortent brusquement de la turbine.	Le mauvais côté de l'aube est inséré dans le moyeu de la turbine. Le bout ovale plus gros des aubes doit être inséré dans la turbine. Le moyeu de la turbine pourrait être usé.

# Vue éclatée des pièces



# Liste des pièces

Fig n°	Numéro de pièce	Quel (s) Nettoyeur(s)	Description
1	896584000-204	2X/4X/2XLE/4XLE	Vis pour couvercle du dessus (3 vis)
2	896584000-181	2X/4X	Haute d'emballage d'aspiration blanc (3 équipages et linceul par kit)
3	896584000-068	2X/4X	Assemblage du haut du corps (couverture de la turbine) blanc
4	896584000-167	2X/4X/2XLE/4XLE	Aubes pour la turbine (6 aubes)
5	896584000-051B	2X/4X/PC	Roue sous assemblage blanc
6	896584000-143	2X/4X/PC	Emballage de pneu avant, avec des super bosses bleu (bosse solide) 2 / kit béton
7	896584000-976	ALL CLNRS	Palier pour roue
8	896584000-136	ALL CLNRS	Ensemble de direction
9	896584000-365	2X/4X/2XLE/4XLE	Moyeu de turbine avec aubes
10	896584000-457	ALL CLNRS	Gros engrenage d'entraînement
11	896584000-112	ALL CLNRS	Engrange avant droit
12	896584000-419	2X/4X	Support pour les jupes blanc (4 par emballage)
13	896584000-259	2X/4X	Jupes avec des rouleaux (4 par emballage) avant de 2x et 4x et 2x arrière
14	896584000-105	4X	Emballage du jupe B (pour l'arrière sur 4x seulement) (2/2)
15	896584000-464	ALL CLNRS	Petit engrenage d'entraînement
16	896584000-242	4X/4XLE	Came de direction 4X
17	896584000-471	ALL CLNRS	Engrenage réducteur
18	896584000-952	2X/4X	Réglable régulateur valve blanc avec tuyau bleu cône
19	896584000-172	2X/4X	Tuyau cône
20	896584000-488	2X/4X	Porte de l'eau (porte de l'orifice d'aspiration) blanc
21	896584000-082	4X/PC	L'arrière porte de remplacement (2 dans l'emballage)
22	896584000-211	2X/4X	Le tuyau principale (avec le brassard gris) aspiration seulement
23	896584000-228	2X/4X	Tuyau d'aspiration (1 mètre) aspiration seulement
25	896584000-235	2X/2XLE	Came de direction 2X
26	896584000-129	4X/4XLE/PC/PCLE	Palier roue arrière et arbre de transmission
27	896584000-280	2X/4X/PC	Flotteur universel, nettoyeur de piscine
28	896584000-426	2X	Kit de mise au point 2 roues (2 roues, 6 palettes, 4 avant / 4 jupes arrière)
29	896584000-600	2XLE/4XLE	Couvercle du dessus – Gris (3 vis et couvercle)
30	896584000-549	2XLE/4XLE	Corps supérieur pour les unités Édition limitée – Gris
31	896584000-563	4XLE/PCLE	Remplacement pneu arrière – Noir (2)
32	896584000-532B	2XLE/4XLE/PCLE	Moyeu pour Édition limitée – Gris
33	896584000-594	2XLE/4XLE/PCLE	Pneus de remplacement avant pour bres de verre et vinyle – Noir Édition limitée (2)
34	896584000-648	2XLE/4XLE	Supports pour volets – Noir – Édition limitée (4)
35	896584000-655	2XLE/4XLE	Volets avec roues (4) – Avant toutes les Éditions limitées – Aspiration – Noir
36	896584000-587	4XLE	Volets B (pour l'arrière du 4X seulement) (2/2) – Noir Édition limitée
38	896584000-631	2XLE/4XLE/PCLE	Flotteur (1) (2 requis pour nettoyeur à aspiration; 1 requis pour nettoyeur à pression)
39	896584000-662	2XLE/4XLE	Cône du boyau – Noir Édition limitée
40	896584000-495	2XLE/4XLE	Vanne de décharge (porte du port d'aspiration) – Gris Édition limitée
41	896584000-730	2XLE	Trousse de mise au point LIMITÉE pour 2 roues (2 pneus, 6 aubes, 4/4 volets) – Noir
42	896584000-617	2XLE/4XLE	Boyau de raccordement – Aspiration seulement – Gris Édition limitée
43	896584000-624	2XLE/4XLE	Boyau d'aspiration – Aspiration seulement – Gris Édition limitée
44	896584000-969	2XLE/4XLE	Régulateur ajustable – Noir avec cône du boyau noir
	896584000-075	2X/4X	Pneus bleus pour le remplacement en avant (2 dans un emballage) en fibre de verre et vinyle
	896584000-150	2X/4X	Flotteur (deux moities) VILLE MODELE
	896584000-334	2X/4X/PC	Pneu solide d'avant pour les piscines en tuiles (2 par emballage) bleu
	896584000-372	4X/PC	Pneu solide de l'arrière pour les piscines de tuiles (2 par kit)
	896584000-679	2X/4X/2XLE/4XLE/PC	Super pneus bosse bleu (2 par emballage) pour les grands obstacles
	896584000-556	2XLE/4XLE/PCLE	Pneus noir de remplacement en avant, limitée (2 par kit) en fibre de verre et vinyle
	896584000-723	2X/4X/2XLE/4XLE/PC	Pneus super bosse édition limitée noire (2 par emballage) pour les grands obstacles
	896584000-716	2XLE/4XLE/PCLE	Pneu solide d'avant pour les piscines en tuiles (2 par kit) édition noire limitée
	896584000-761	4XLE/PCLE	Solid pulls back tile for pools (2 per kit) edition noire limitee
	896584000-501	ALL CLNRS	Gardeur de nettoyeur a piscine
	896584000-938	2X/4X/PC	Pneus super solid blue hump (2 per emballage).
	896584000-945	2XLE/4XLE/PCLE	Pneus super solid black hump (2 per emballage).



## Garantie limitée de Hayward Pool Products

---

Aux acheteurs originaux de cet équipement, Hayward Pool Products inc., garantit ses nettoyeurs Aqua-Naut contre tout défaut de matériel ou de production pour une période d'UN (1) an à partir de la date d'achat lorsqu'ils sont utilisés pour des applications résidentielles unifamiliales.

La garantie limitée exclut tout dommage causé par le gel, la négligence, une installation inadéquate, une utilisation ou un entretien inadéquat ou toute calamité naturelle. Durant la période couverte par la garantie, les pièces défectueuses ou celles qui se brisent en raison d'un défaut seront réparées ou remplacées à notre convenance et sans frais dans les 90 jours suivant la réception du produit défectueux, sous réserve de retards imprévus.

En vertu de la garantie, la preuve d'achat est requise pour le service. En l'absence de preuve d'achat, le code indiquant la date de fabrication constituera l'unique déterminant de la date d'achat du produit. Pour obtenir un entretien ou une réparation en vertu de la garantie, veuillez communiquer avec le lieu d'achat ou le centre de service autorisé Hayward le plus près. Pour connaître le centre de service autorisé Hayward le plus près de chez vous, veuillez visiter le [www.haywardpool.com](http://www.haywardpool.com).

Hayward n'est pas responsable des coûts de main-d'œuvre de transport, d'enlèvement, de réparation ou d'installation de même que tout autre coût encouru lors du remplacement ou de la réparation en vertu de la garantie.

La garantie de Hayward Pool Products ne couvre pas les composantes d'autres fabricants. Pour de tels produits, la garantie des fabricants respectifs s'appliquera.

La garantie limitée expressément citée plus haut constitue la garantie complète offerte par Hayward Pool Products à l'égard de ses produits de piscine et remplace toute autre garantie explicite ou implicite, y compris les garanties de valeur commerciale ou d'adaptation à un usage spécifique. En aucun cas, Hayward Pool Products ne sera responsable de tout dommage indirect, spécial ou accessoire, quelle qu'en soit la nature.

Certaines provinces ne permettent pas de limiter la durée d'une garantie implicite ou l'exclusion de dommages indirects ou accessoires de sorte que la limite citée plus haut pourrait ne pas s'appliquer dans votre cas. Cette garantie vous confère des droits légaux particuliers et vous pourriez également jouir d'autres droits qui varient d'une province à l'autre.

# Carte d'enregistrement de la garantie

DETACH HERE: Fill out bottom portion completely and mail within 10 days of purchase/installation or register online.

## WARRANTY REGISTRATION CARD

Register online at [www.haywardpool.ca](http://www.haywardpool.ca)

Please Print Clearly:

First Name \_\_\_\_\_

Last Name \_\_\_\_\_

Street Address \_\_\_\_\_

City \_\_\_\_\_ State \_\_\_\_\_ Zip \_\_\_\_\_

Phone Number \_\_\_\_\_ Purchase Date \_\_\_\_\_

E-Mail Address \_\_\_\_\_

Serial Number \_\_\_\_\_

Model Number \_\_\_\_\_

Pool Capacity \_\_\_\_\_ (U.S. Gallons)

Please include me on all e-mail communications regarding Hayward® Equipment or promotions.

Mail to: Hayward Pool Products, 2880 Plymouth Dr., Oakville, ON L6H5R4

Attn: Warranty Dept

or REGISTER YOUR WARRANTY ON-LINE AT [WWW.HAYWARDPOOL.CA](http://WWW.HAYWARDPOOL.CA)

Years Pool has been in service

< 1 year  1-3  4-5  6-10  11-15  >15

Purchased from

Builder  Retailer  Pool Service  Internet/Catalog

Company Name \_\_\_\_\_

Address \_\_\_\_\_

City \_\_\_\_\_ State \_\_\_\_\_ Zip \_\_\_\_\_

Phone \_\_\_\_\_

Type of Pool:

Concrete/Gunite  Vinyl  Fiberglass

Other \_\_\_\_\_

New Installation  Replacement

Installation for:

In Ground  Above Ground  Spa

Nous vous remercions de votre achat.