

**WARRANTY**

(For the Original Owner Only)

K-Star Pool/Spa Heater is guaranteed for a period of one year from the date of its purchase to the original owner against any manufacturing defects. Exception: factory installed heating elements carry a 90 day limited manufacturer warranty from date of heater installation only.

Any warranty claim must be pre-authorized by Consolidated Pool & Spa Industries Inc. and claim must include: Model number, Serial number and Date of purchase. Any defective unit shall be returned freight prepaid only. Consolidated Pool & Spa Industries Inc. will not be responsible for disconnection-reconnection charges.

The above warranty shall be considered void if:

- i. The installation instructions are not followed.
- ii. Unit is powered without any water circulation.
- iii. The power is disconnected and unit is not thoroughly drained at time of winterizing.
- iv. The Unit has been mishandled.
- v. If corrosion of the unit's internal parts occurs by unit being exposed to a salt water system, a system that uses salt to create a sanitizer or improper water chemistry (applies to all non-titanium heater models only). Warranty Registration must be done within ten days of purchase of the unit, by mailing warranty card below to:

# INSTRUCTION MANUAL

# "K-STAR" ELECTRIC

# POOL / SPA HEATERS



APPROVED LR 51670



**MODELS:**  
**K-5 / K-10 / K-15**



361 Rowntree Dairy Road, Unit 4  
Woodbridge, ON L4L 8H1 Canada

Tel: 905.264.6496 Fax: 905.264.6508  
Email: info@consolidatedpool.com

(For Warranty Information, Please Mail to Manufacturer.)

Customer's Name : \_\_\_\_\_  
Address : \_\_\_\_\_  
Phone : \_\_\_\_\_

**Unit**

Serial # : \_\_\_\_\_  
Model # : \_\_\_\_\_  
Date Purchased : \_\_\_\_\_  
Installer's Name : \_\_\_\_\_



361 Rowntree Dairy Road, Unit 4  
Woodbridge, ON Canada L4L 8H1

Tel: 905.264.6496 Fax: 905.264.6508  
Email: info@consolidatedpool.com

## READ AND FOLLOW ALL INSTRUCTIONS

- 1a) K-Star Heater may be installed indoors or outdoors at least 6" from any object. Ensure that the installation allows access for electrical and plumbing connections and that the Thermostat control is conveniently located.

The installation of current leakage collectors should be done as per Figure 01 before permanently positioning Heater.

Heater must be installed after the filter and before the Air Injector or Automatic Chlorinator.

- b) A leakage current collector must be installed at the water inlet, and another at the outlet of the unit, and these shall be electrically insulated from the unit. The installation of the collectors shall be such that all water entering and leaving the unit flows through the two collectors, as shown in Figure 01. The length of the leakage current collectors shall be made of a corrosion resistant metal and shall be provided with a copper lug brazed to the collector body.

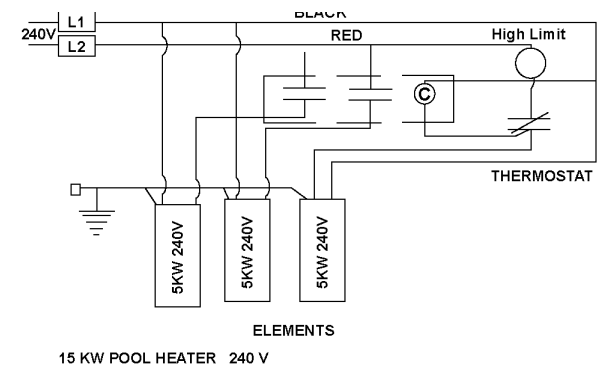
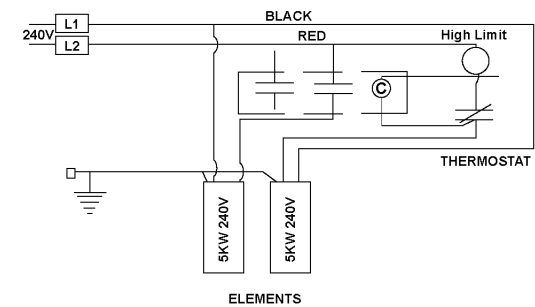
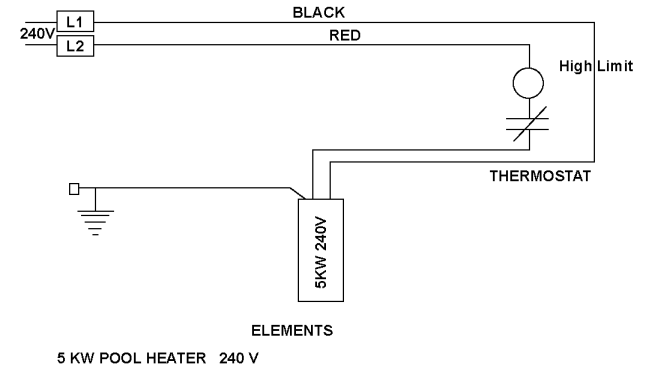
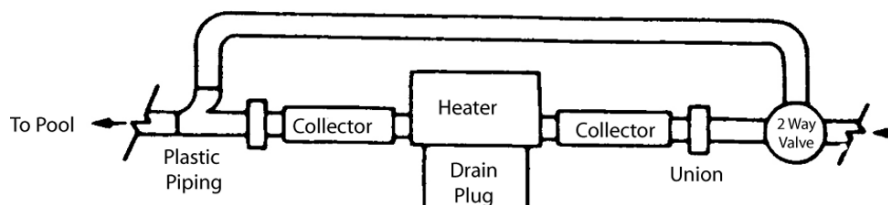
Hand tighten only. Do not use high force with a pipe wrench.

**FIGURE 01. LEAKAGE CURRENT COLLECTOR DIAGRAM**



- C) The Heater shall be installed as per Figure 02. The water inlet and outlet are connected to straight connectors of the heater.

**FIGURE 02**

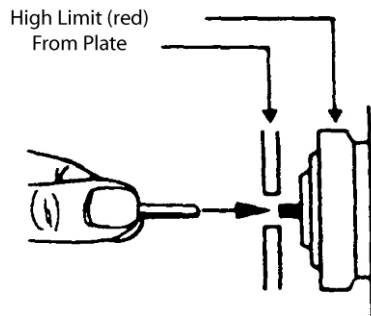


2. Apply electric power to the heater, then rotate the thermostat control clockwise to the max. position.  
The red indication lamp will be lit when the heater is on.
3. After the desired temperature is reached, re-adjust the thermostat control to suit your requirement.  
The scale ranges from 70 to 110F.
4. A high limit manual reset thermostat is provided as a secondary back up high temperature limit protection. The reset thermostat may trip if the pump is switched off, or the heater chamber has too much air locked in it. To reset, switch the heater breaker off. Allow the heater to cool and then depress the reset, as shown in Figure 05.

**Winterizing:**

For maximum security, first turn the thermostat to the off position and switch off the electric power at the circuit breaker. Then completely empty the tank by removing the drain plug located at the bottom of the heater body. Drain plug must be left out all winter. Cover the control panel of the heater with ordinary plastic cover to prevent any penetration of moisture or water into electrical components. At all times the unit must be properly ventilated to avoid condensation.

**FIGURE 05**



**WIRING DIAGRAMS** (below)

**MECHANICAL INSTALLATION DIAGRAM  
SHOWING BY PASS**

**Caution:**

- i) Do not store chlorine near or in the same room as heater.
  - ii) Valves must not be installed in the piping on the outlet of heater to the pool/spa.
  - iii) Use PVC cement for connecting leakage current collectors into tank body and use teflon tape as sealer in the threads for drain plug.
- d) Water Flow

**The water flow in GPM should not exceed the following limits:**

Table 01

Heater	GPM
K-5	08 (Max)
K-10	10
K-15	10

**Important:**

Systems with higher GPM ratings will require a bypass around Heater. This would be necessary if a high velocity pump is employed in the system.

**Recommended:**

Add water softener for longer heater life.

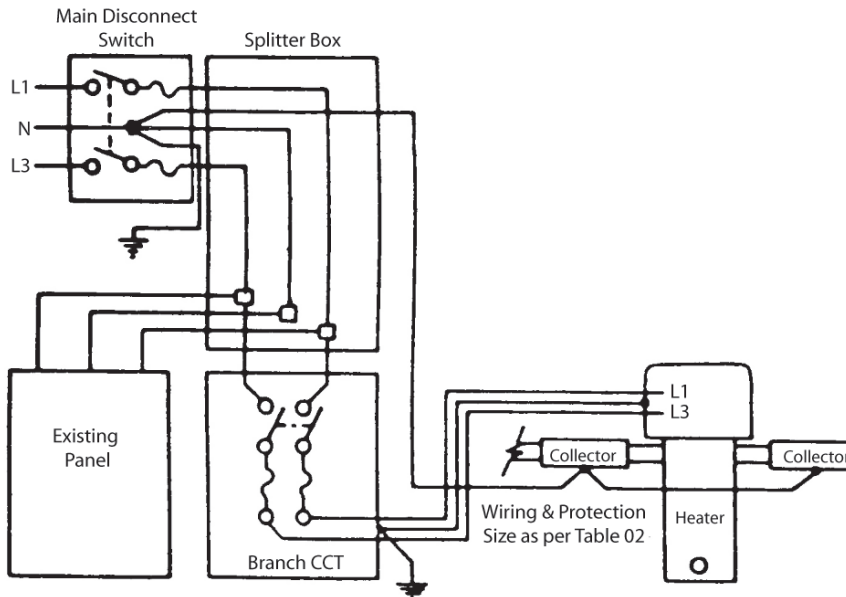
- 2 a) Electrical: Electrical work must be performed by a qualified Electrician and comply with the Canadian Electrical Code.

Table 02. The wire sizes to be used are as follows:

Model	Amps	Breaker (240V G.F.C. I. Size)	Wire Size (90' Copper Only)	Collector Ground Wire (Copper Only)
K-5	21A	30A	10	10
K-10	42A	60A	6	6
K-15	63A	80/100A	Use Supply conductor suitable for 75° C	Use Supply conductor suitable for 75° C

For installation see Wiring Schematic figure 03.

FIGURE 03. Wiring Schematic



In Accordance with The Electrical Code in effect

- b) A green coloured terminal (or a wire connector marked "C"/"GP"/ "Ground" or "Grounding") is provided within the control box. To reduce the risk of electric shock, connect this terminal or connector to the grounding terminal of the electric service or supply panel with a continuous green insulated copper wire equivalent in size to the circuit conductors

supplying this equipment. Addition, bonding lugs are provided and marks "Bonding Lugs". To reduce the risk of electric shock connect the bonding lugs in accordance with the Canadian Electric Code, Part 1.

- c) It is mandatory that all Electrical Heaters be installed with Leakage Collectors at the water outlet of filtration system and at the outlet of heaters.

## SAVE THESE INSTRUCTIONS

### Warning:

Ensure that the unit is properly grounded at the provided lug within the unit and that the leakage collectors are separately grounded at the main entrance. Improper installation may be a potential cause of fire, electric shock, personal injury or health hazards and great care should be taken to avoid these. Make sure that all wiring is secure.

## OPERATING INSTRUCTIONS

1. Must be strictly followed for warranty to be valid.  
Before energizing the heater, activate the pump and make sure that the air is out of the heater chamber (no air bubbles will enter the pool/spa from the heater). Water circulation must be ensured at all times when unit is energized.