

HIGH RISER ASSEMBLY INSTRUCTIONS

For Commercial and Residential Units

1 Assembling the End Units

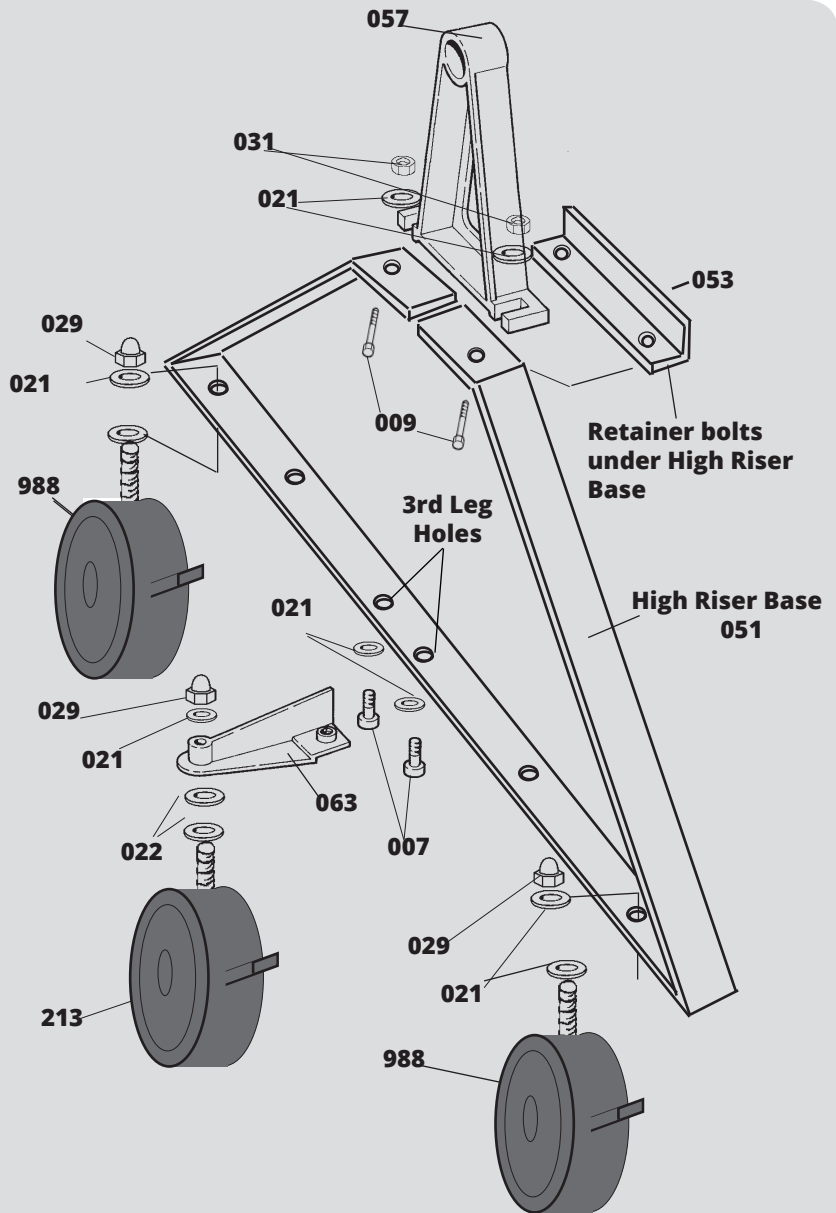
Important: Before you start to assemble the High Riser make sure that the two middle holes in the High Riser Base are pointing inwards. These holes are closer to the edge of the Base and are where the Third Leg will attach. Attach the 4 Frame to the Base using two 3/8"x1.5" Bolts, two 3/8" Washers and two Heavy Nuts.

Ensure that the Retainer is bolted under the Base on the outside.

The Retainers purpose is to secure the Frame onto the High Riser Base and keep the Frame centered.

Next attach the Third Leg to the Base using two 3/8"x1" Bolts and two 3/8" Washers.

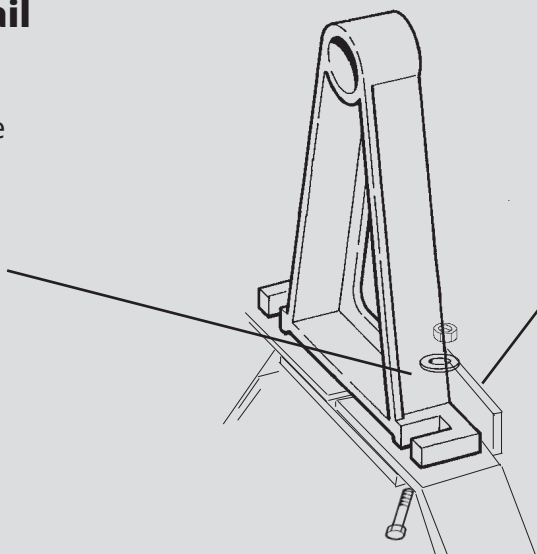
Then bolt the Wheels onto the Base and Third Leg. On the Third Leg Wheel with the shorter stem place 2 of the thick 3/8" Washers on the Wheel Shaft before putting it through the Third Leg this will keep the wheel level when the Tube is weighted.



2 Retainer Detail

When attaching the Frame to the High Riser Base put the Bolts through the Retainer then the Base and finally the Frame.

Next use the Heavy Nuts on the top to cover the slot in the Frame. Doing this will ensure that the top Frame will not shift or slip over the Bolt.



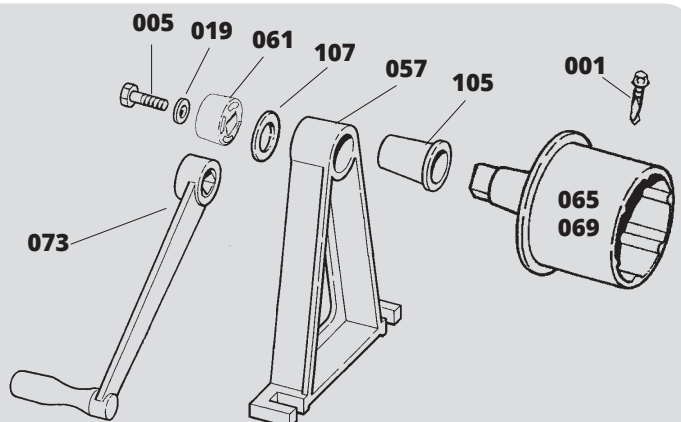
Note: The Retainer must be fitted in this position to stop the Frame from moving and to help disperse the weight of the Tube.

3 Reel Assembly

When you have joined and bolted the tubing together and secured the Hub into the end of the Tube using the TEK screws, next slide the end of the Hub into the Black Bushing through the Frame. Place the Black Washer on the end of the Hub and then secure the Handle. On the other end of the unit place the Knob in place of the Handle and secure with the 5/16" stainless Washer and Bolt.

Very Important:

Do not overtighten the Bolts holding the Handle in place, or the Bolt that holds the Knob at the other end of the unit. This will make it difficult to turn the Handle.

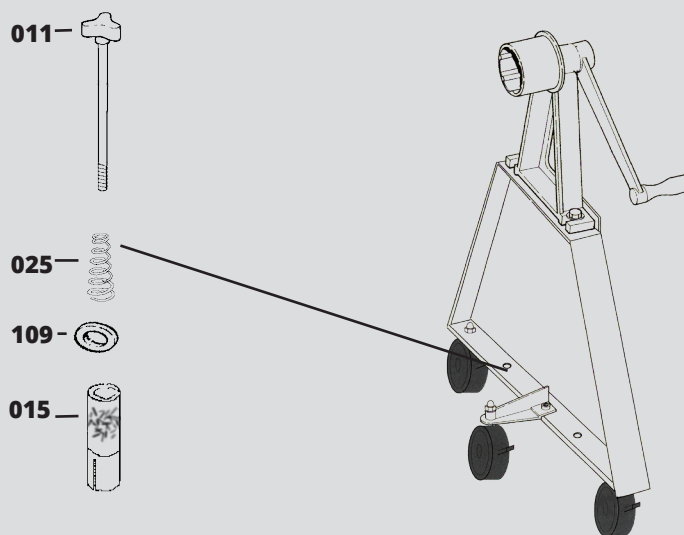


VERY IMPORTANT: Do not over tighten the bolt on either end as this will make it difficult to rotate the tube.

HIGH RISER ASSEMBLY INSTRUCTIONS

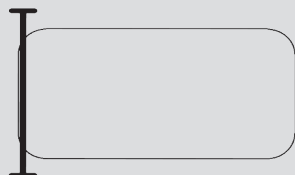
4 Anchor Detail

Take the Anchor Bolt and put it through the Spring and then the Plastic Retainer, then put them through one of the Anchor holes in the High Riser Base. Repeat these steps for both end units. The Anchor Bolt assembly then screws to the Concrete Anchor when the system is in use.

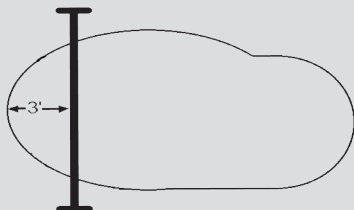


5 Positioning Your Reel System

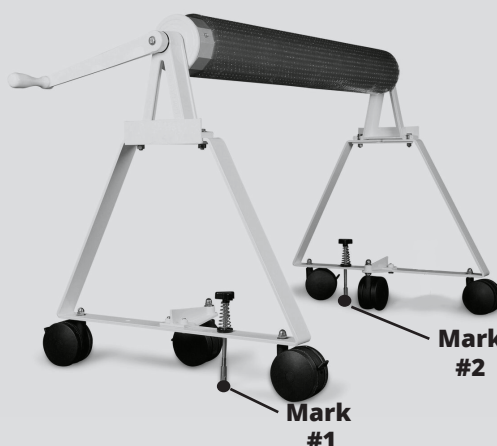
For **regular** shaped pools, align the outside edge of the tube parallel with the end of the pool.



For **irregular** shaped pools, the outside edge of the tube should be a **minimum** of 3' inside from the end of the pool. Place the reel at the widest point if that is possible for a better result.



6



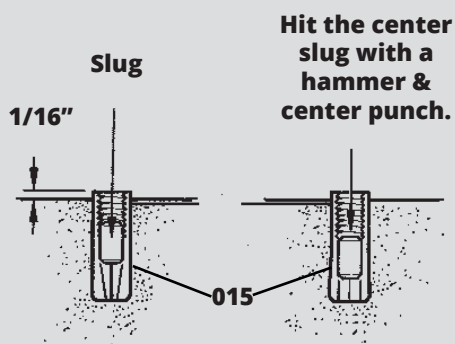
Using one of the two holes in the Frame as a guide, make mark #1 on deck. With a 1/2" concrete drill bit, drill a 1 1/2" deep hole at mark #1. Before moving to the otherside set this Concrete Anchor and screw in the Anchor Bolt so that the reel remains stationary. On the other side of the roller unit, make mark #2 by using one of the two holes in the Frame as a guide. With a 1/2" concrete drill bit, drill a 1 1/2" deep hole at mark #2.
NOTE: Set one bolt at front of Frame on one end and one at the rear of the Frame on the other end.

7 Concrete Anchor Detail

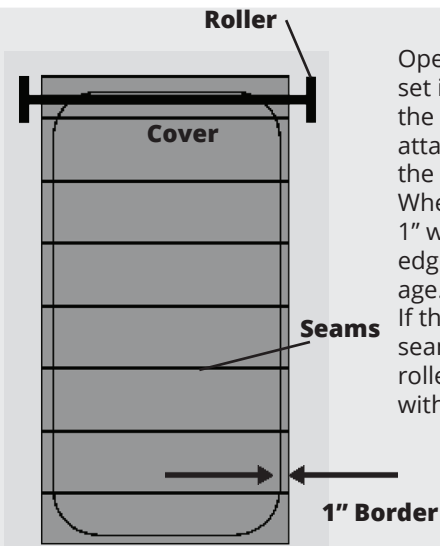
Drive the Concrete Anchor into the hole with a hammer. Ideally you would want to leave the Anchor raised 1/16" above the pool deck, but if your hole is too deep this might not happen as long as the Anchor Bolt can reach it, it will work.

To set the Concrete Anchor:

Hit the slug in the center of the Anchor (usually Red) with a hammer and center punch, driving the slug down into the anchor forcing the legs out into concrete. This is a friction fit so if you haven't hit the slug hard enough it could lift out of the hole, if this happens simply set the Anchor again.

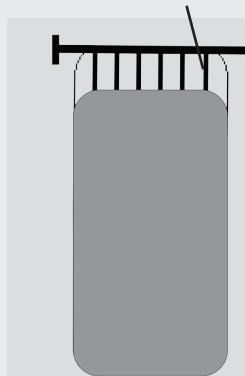


FOR REGULAR SHAPED INGROUND POOLS



Open the cover over the pool and set it into position. Ensure that the end of the cover (where it attaches to the roller) is square to the roller.
When cutting the cover, allow a 1" wide border around the pool edge to compensate for shrinkage.
If the cover has seams, then the seams should be parallel to the roller. (This may not be possible with some types of covers.)

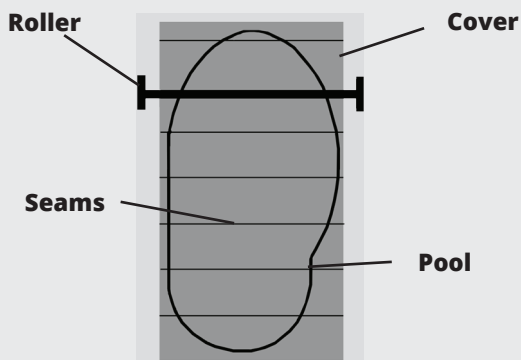
Straps every 3'



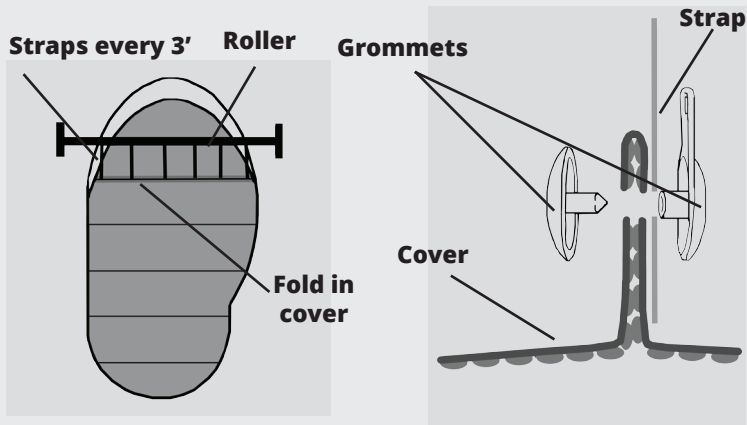
Attach the cut cover to the roller with the blue straps (See Grommet detail). Ensure the length of the strap allows the cover to lay flat on pool, to prevent wind from getting under the cover.
To measure your straps go from the top of the assembled reel system down to the water in your pool and then add two inches extra to compensate for evaporation.

FOR IRREGULAR, KIDNEY, OR ROUND SHAPED INGROUND POOLS

Open the cover over the pool and set it into position. Ensure that the seams on the cover are parallel to the roller. (This may not be possible with some types of covers).

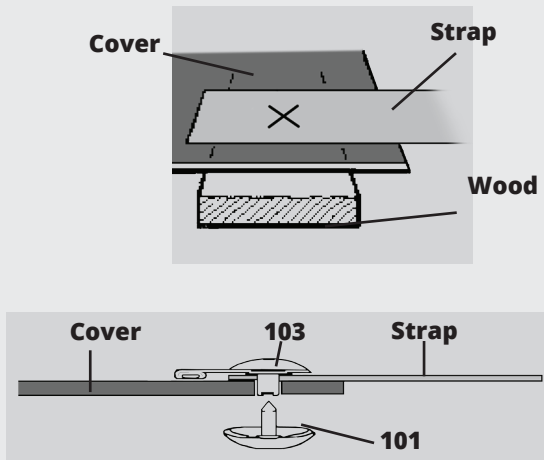


When cutting the cover, allow a 1" wide border around the pool edge to compensate for shrinkage.



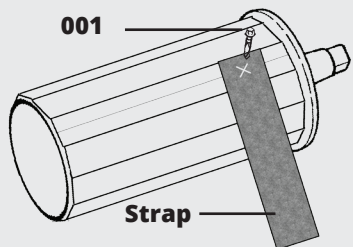
For odd shaped pools, pinch the cover and attach the strap as shown. Attach the cut cover to the roller with the blue straps (see grommet detail) by folding the cover in a straight line as shown in the diagrams. Ensure that the fold in the cover is straight.

GROMMET DETAIL



Position the blue strap on the cover. Cross cut through the strapping and the cover. Ensure that the hole in the strapping is at least 1" from the end of the strap and that the hole in the cover is at least 2" from the end of the cover. If possible fold the edge of the cover over so that you put the Grommet through two layers of cover.
This will ensure that the Grommet fits securely onto both the cover and the strap, and will help to prevent tearing.

Insert the Female Grommet through your cut in the strapping and the cover. Ensure that the material is completely pushed down on the shaft. Insert the Male Grommet into Female Grommet. Once in place, hit with a hammer until secure. (**Caution - excessive force will break grommet.**)



Using Tek Screws, secure the strap to the tube. Make sure you put the screw about an inch into the strap to prevent tearing.

Tools Required:

Reversible Electric Drill
1/2" Concrete (masonry) Drill Bit
Hammer & Center Punch or Nail
5/16" Hex Head Socket Bit
1/2" Wrench
5/8" Wrench

ITEM #	QTY.	DESCRIPTION	RE-ORDER #
001	16	TEK Screws	501
005	2	5/16"x1" Bolt	505
011	2	3/8"x6" Anchor Bolt	511
015	2	Concrete Anchor	515
019	2	5/16" Washer	505
021	10	3/8" Washer	509
025	2	Spring	517
029	6	Acorn Nut	523
057	2	#4 Frame	531
061	1	Knob	533
065	2	4" Hub	539
069	2	3" Hub	543
073	1	Large Handle	545
101	10	Male Grommet	549
103	10	Female Grommet	549
105	2	Plastic Bushing	555
107	2	Plastic Washer	555
109	2	Spring Guard	517
203	1	36' Strapping	587
211	4	4" Wheel	585
009	4	3/8" x 1-1/2" Bolt	509
063	2	3rd Leg	535
051	2	High Riser Base	532
053	2	High Rise Retainer	538
022	4	Thick 3/8" Washer	503
007	4	3/8" x 1" Bolt	509
213	2	3rd Leg 4" Wheel	586
031	4	3/8" Nut	509