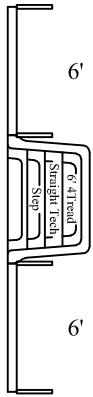
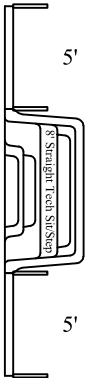


STEP OPTIONS

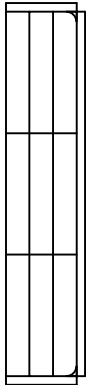
STEP OPTION 1



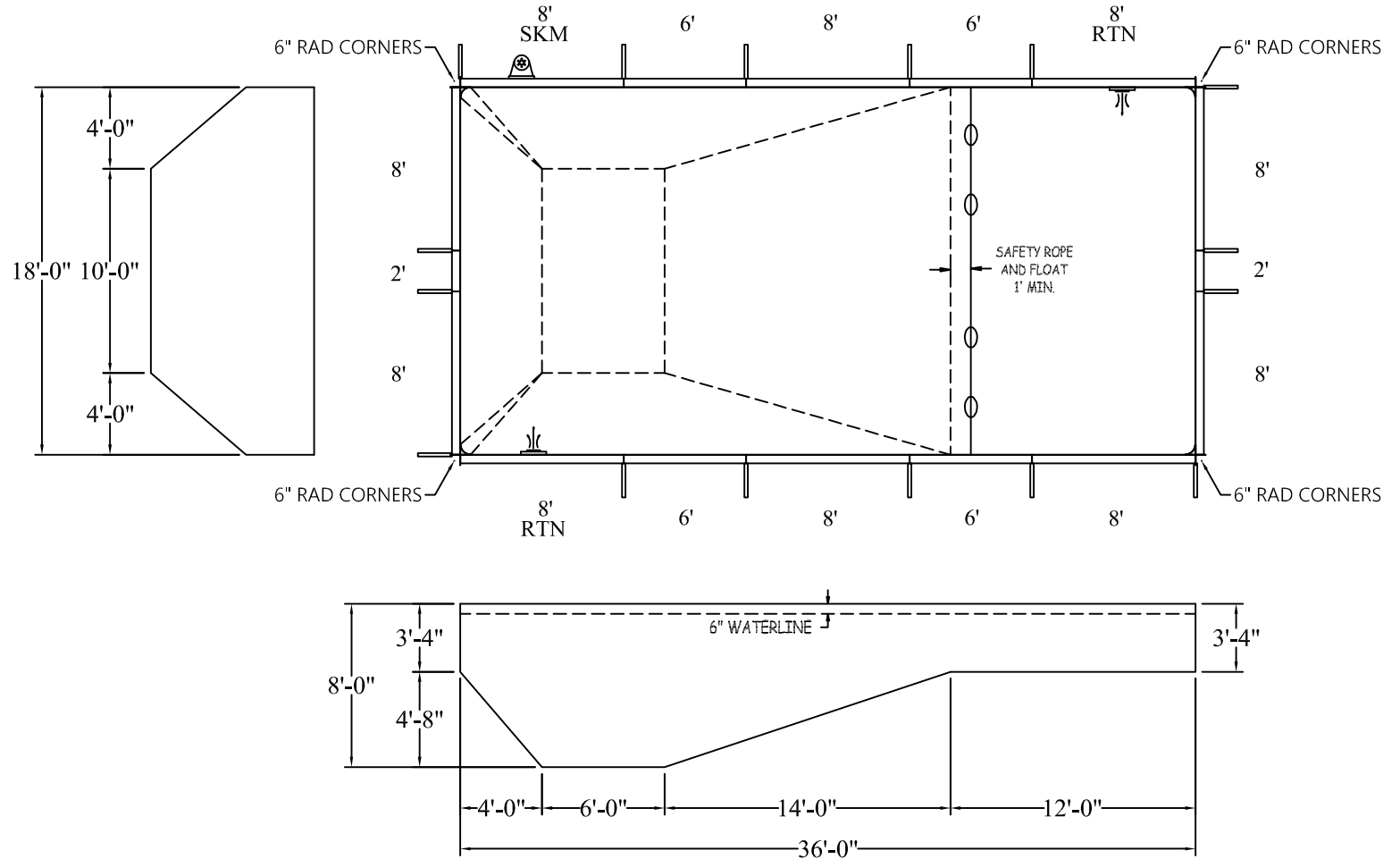
STEP OPTION 2



STEP OPTION 3



P-ST-PB-2163SP



RECTANGLE 6IN RAD

DATE: 01/01/2019

PERIMETER: 108'-0" LIN.FT.

REVISION:

SURFACE (ft²): 648.0000

SCALE: N.T.S.

LINER (ft²): 648.0000

APPROX. WATER VOLUME: 80 600 LITRES

COVER (ft²): 760.0000 Standard

ATLAS SERIES

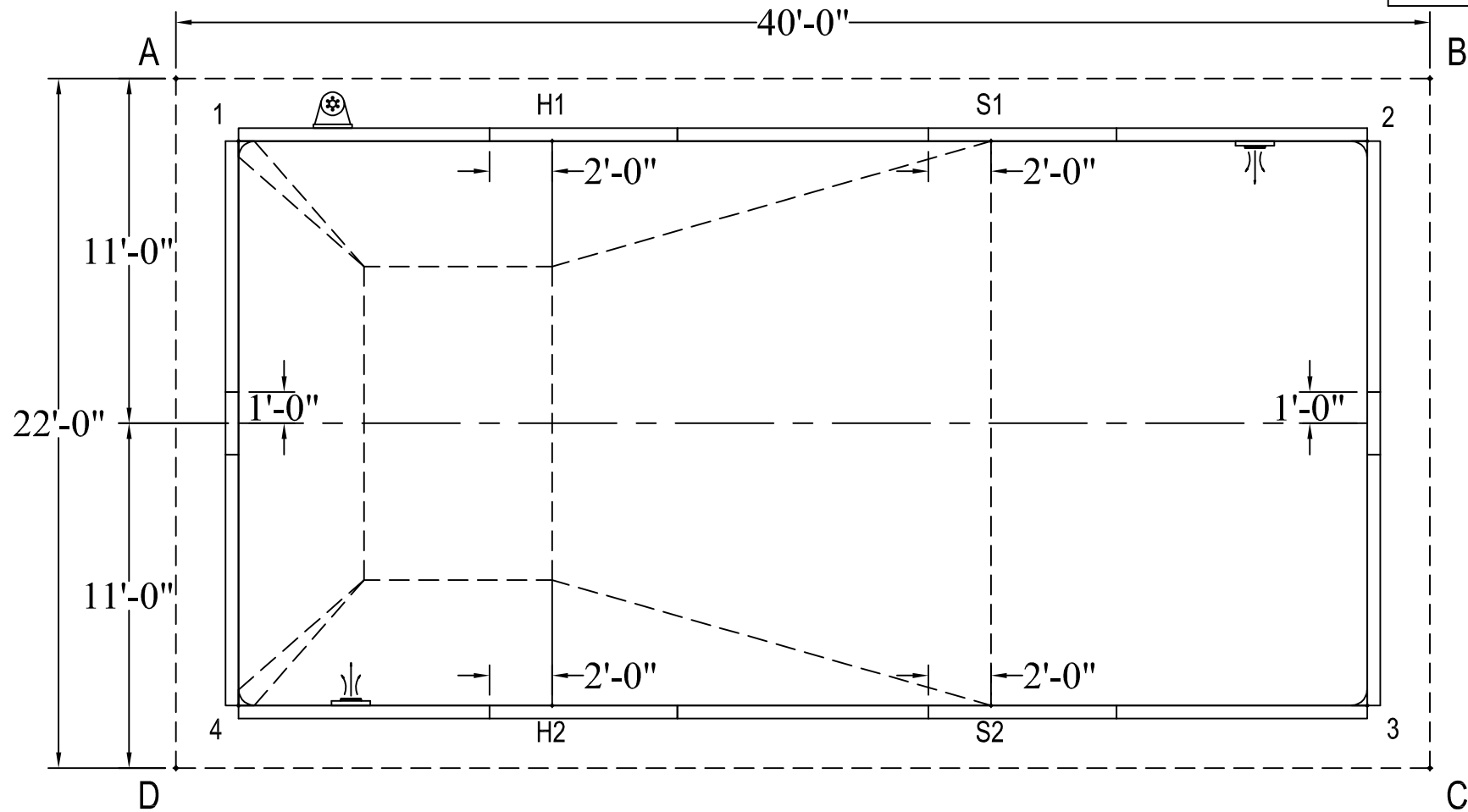
WARNING

SWIMMING POOLS ARE DANGEROUS WHEN USED IMPROPERLY. CONSULT YOUR DEALER FOR INFORMATION ON THE SAFE USE OF SWIMMING POOLS. IT IS THE RESPONSIBILITY OF TOWN OFFICIALS, BUILDERS AND HOME OWNERS TO FOLLOW ALL SAFETY RECOMMENDATIONS OF LOCAL ORDINANCES AND EQUIPMENT MANUFACTURERS FOR DIVING & SLIDING EQUIPMENT REFER TO THE MANUFACTURER'S INSTRUCTIONS TO CORRECTLY POSITION & INSTALL EQUIPMENT.

18-0 X 36-0

	A	B	C	D
1	2'-10"	38'-0 3/4"	42'-11 1/4"	20'-1 1/4"
2	38'-0 3/4"	2'-10"	20'-1 1/4"	42'-11 1/4"
3	42'-11 1/4"	20'-1 1/4"	2'-10"	38'-0 3/4"
4	20'-1 1/4"	42'-11 1/4"	38'-0 3/4"	2'-10"
S1	26'-1"	14'-1 3/4"	24'-5"	32'-9 3/4"
S2	32'-9 3/4"	24'-5"	14'-1 3/4"	26'-1"
H1	12'-2"	28'-0 3/4"	34'-5"	23'-4"
H2	23'-4"	34'-5"	28'-0 3/4"	12'-2"
A	-	40'-0"	45'-7 3/4"	22'-0"

DIAGONALS	
1 to 2	36'-0"
1 to 3	40'-3"
1 to 4	18'-0"
2 to 3	18'-0"
2 to 4	40'-3"
3 to 4	36'-0"
S1 to S2	18'-0"
S1 to H1	14'-0"
S1 to H2	22'-9 3/4"
S2 to H1	22'-9 3/4"
S2 to H2	14'-0"
H1 to H2	18'-0"



RECTANGLE 6IN RAD

18-0 X 36-0

DATE:01/01/2019

ATLAS SERIES