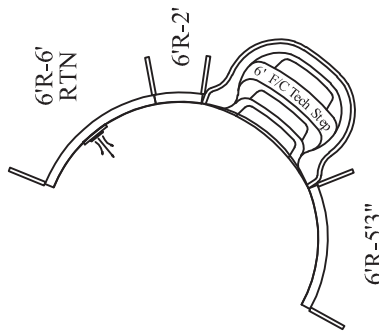
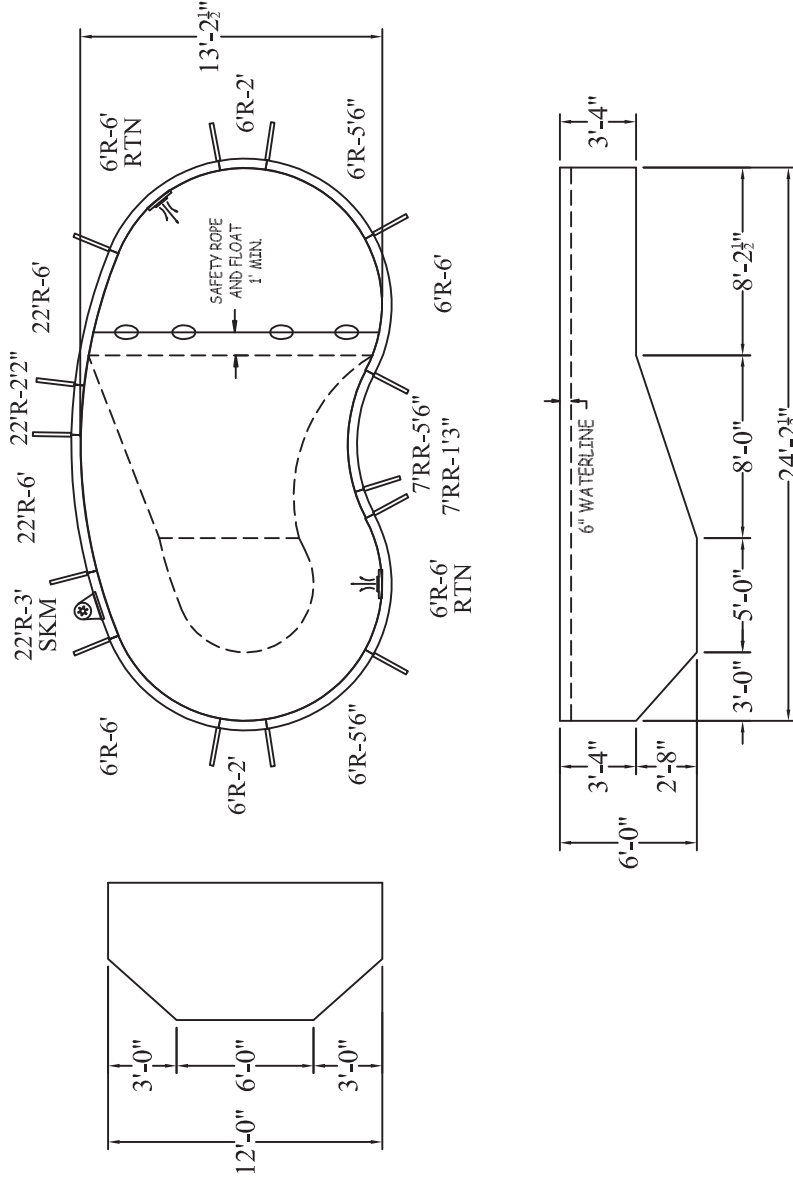
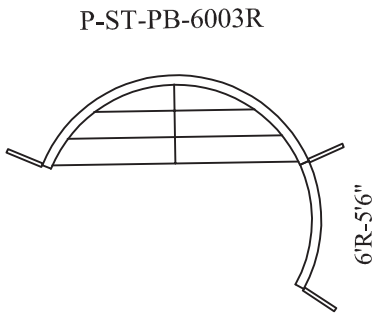


STEP OPTIONS

STEP OPTION 1



STEP OPTION 2



NON DIVING

CRESCENT

PERIMETER: 62'-11" LIN. FT.

REVISION:

12-0 X 13-3 X 24-3 LEFT

DATE: 01/01/2019

SCALE: N.T.S.

APPROX. WATER VOLUME: 28 100 LITRES

SURFACE (ft²): 261.9423

LINER (ft²): 290.4996

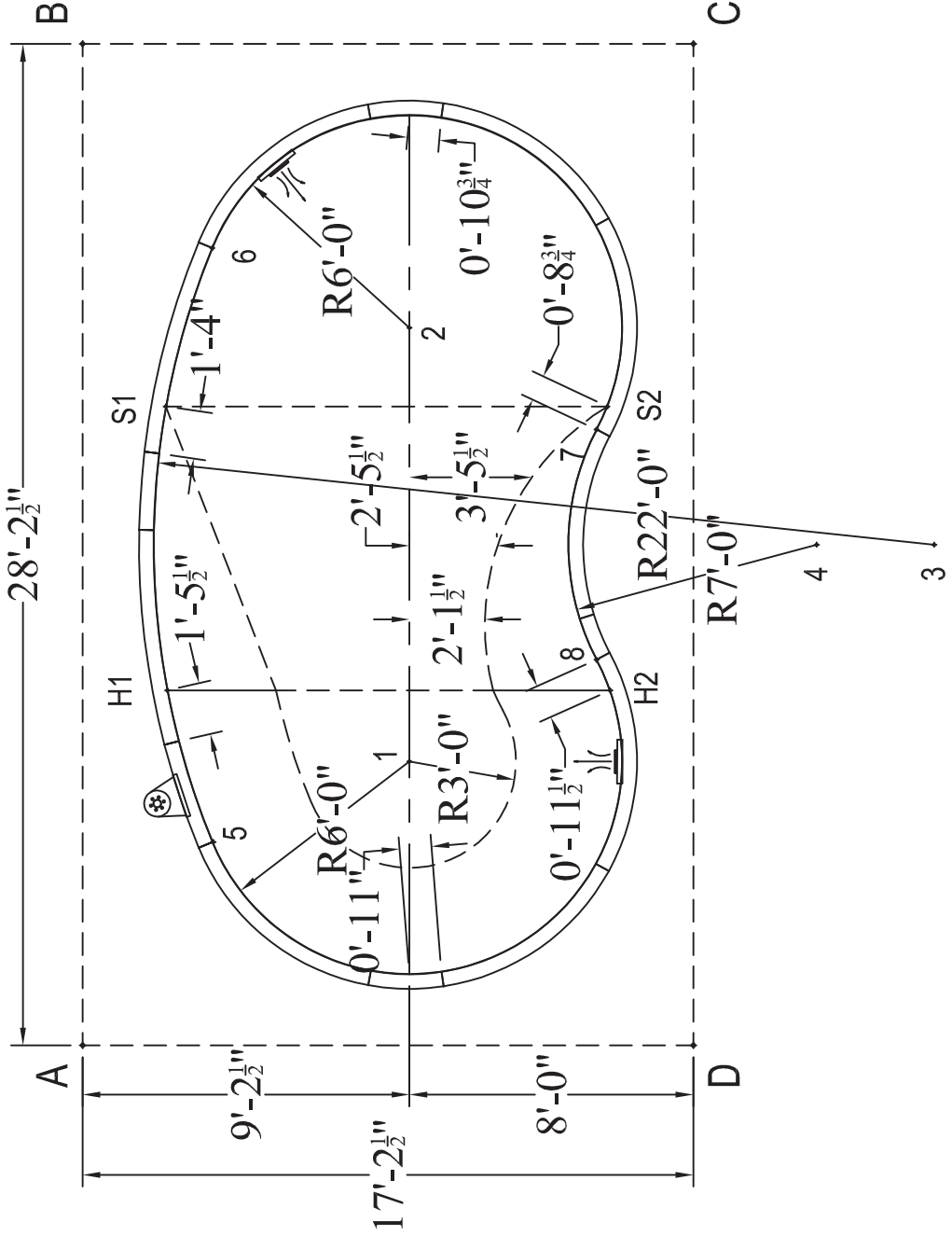
COVER (ft²): 442.8125 Free Form

ATLAS SERIES

WARNING

SWIMMING POOLS ARE DANGEROUS WHEN USED IMPROPERLY. CONSULT YOUR DEALER FOR INFORMATION ON THE SAFE USE OF SWIMMING POOLS. IT IS THE RESPONSIBILITY OF TOWN OFFICIALS, BUILDERS AND HOME OWNERS TO FOLLOW ALL SAFETY INSTRUCTIONS AND TO USE THE EQUIPMENT REFERRED TO IN THE MANUFACTURER'S INSTRUCTIONS TO CORRECTLY POSITION & INSTALL EQUIPMENT.

	A	B	C	D					DIAGONALS
1	12'-2 1/2"	22'-2 1/2"	21'-8 3/4"	11'-3 3/4"	S1	18'-1 3/4"	10'-5 3/4"	18'-0 1/2"	12'-2 1/2"
2	22'-2 1/2"	12'-2 1/2"	11'-3 3/4"	21'-8 3/4"	S2	23'-3 1/2"	17'-11 3/4"	10'-6"	16'-0"
3	27'-10"	27'-10"	15'-7 3/4"	15'-7 3/4"	H1	10'-3 1/4"	18'-4 1/2"	23'-5 3/4"	13'-0"
4	25'-0 1/2"	25'-0 1/2"	14'-6 1/4"	14'-6 1/4"	H2	17'-11"	23'-6 1/4"	18'-4 1/4"	6'-0"
5	6'-9 1/2"	22'-9 1/4"	26'-3"	14'-8 1/2"	A	-	28'-2 1/2"	33'-0 1/2"	15'-6"
6	22'-9"	6'-9 3/4"	14'-8 3/4"	26'-2 3/4"					10'-8 3/4"
7	22'-7 1/4"	18'-1 1/4"	11'-2 1/2"	17'-6 3/4"					6'-0"
8	18'-1 1/4"	22'-7 1/4"	17'-6 3/4"	11'-2 1/2"					16'-0"



CRESCENT	12-0 X 13-3 X 24-3 LEFT	DATE: 01/01/2019	ATLAS SERIES
----------	-------------------------	------------------	--------------