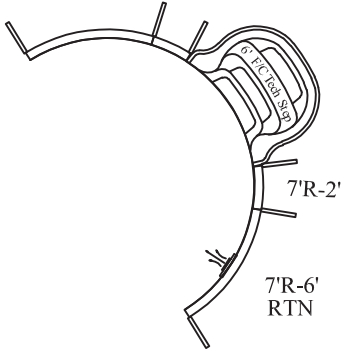


# STEP OPTIONS

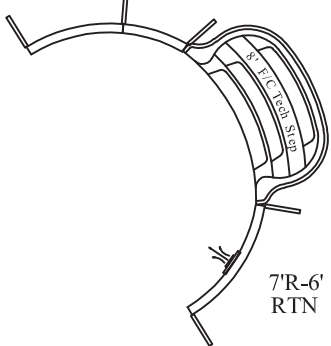
## STEP OPTION 1

7'R-6' 7'R-1'10"



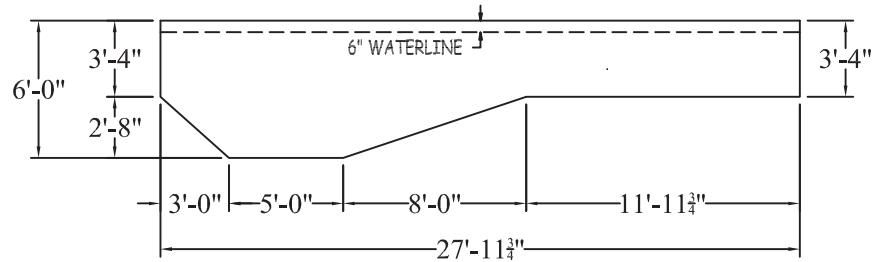
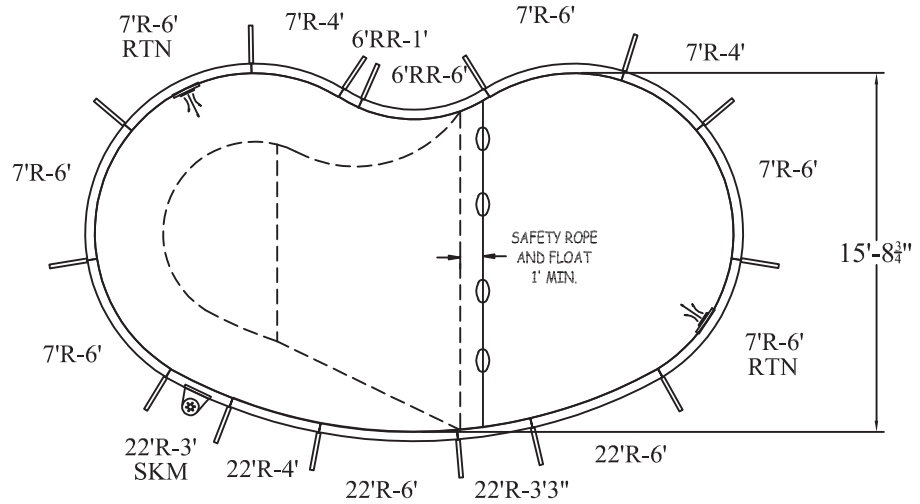
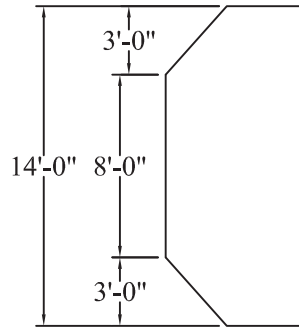
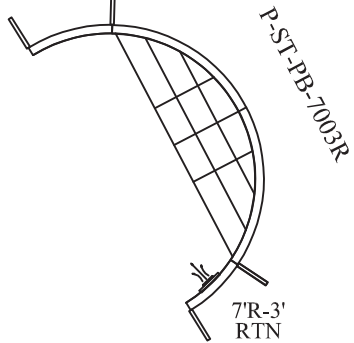
## STEP OPTION 2

7'R-4'6" 7'R-3'



## STEP OPTION 3

7'R-4'



# NON DIVING

# ATLAS SERIES

### WARNING

SWIMMING POOLS ARE DANGEROUS WHEN USED IMPROPERLY. CONSULT YOUR DEALER FOR INFORMATION ON THE SAFE USE OF SWIMMING POOLS. IT IS THE RESPONSIBILITY OF TOWN OFFICIALS, BUILDERS AND HOME OWNERS TO FOLLOW ALL SAFETY RECOMMENDATIONS OF LOCAL ORDINANCES AND EQUIPMENT MANUFACTURERS FOR DIVING & SLIDING EQUIPMENT REFER TO THE MANUFACTURER'S INSTRUCTIONS TO CORRECTLY POSITION & INSTALL EQUIPMENT.

CRESCENT

DATE: 01/01/2019

PERIMETER: 73'-3" LIN.FT.

REVISION:

SURFACE (ft²): 356.6965

SCALE: N.T.S.

LINER (ft²): 391.7088

APPROX. WATER VOLUME: 37 700 LITRES

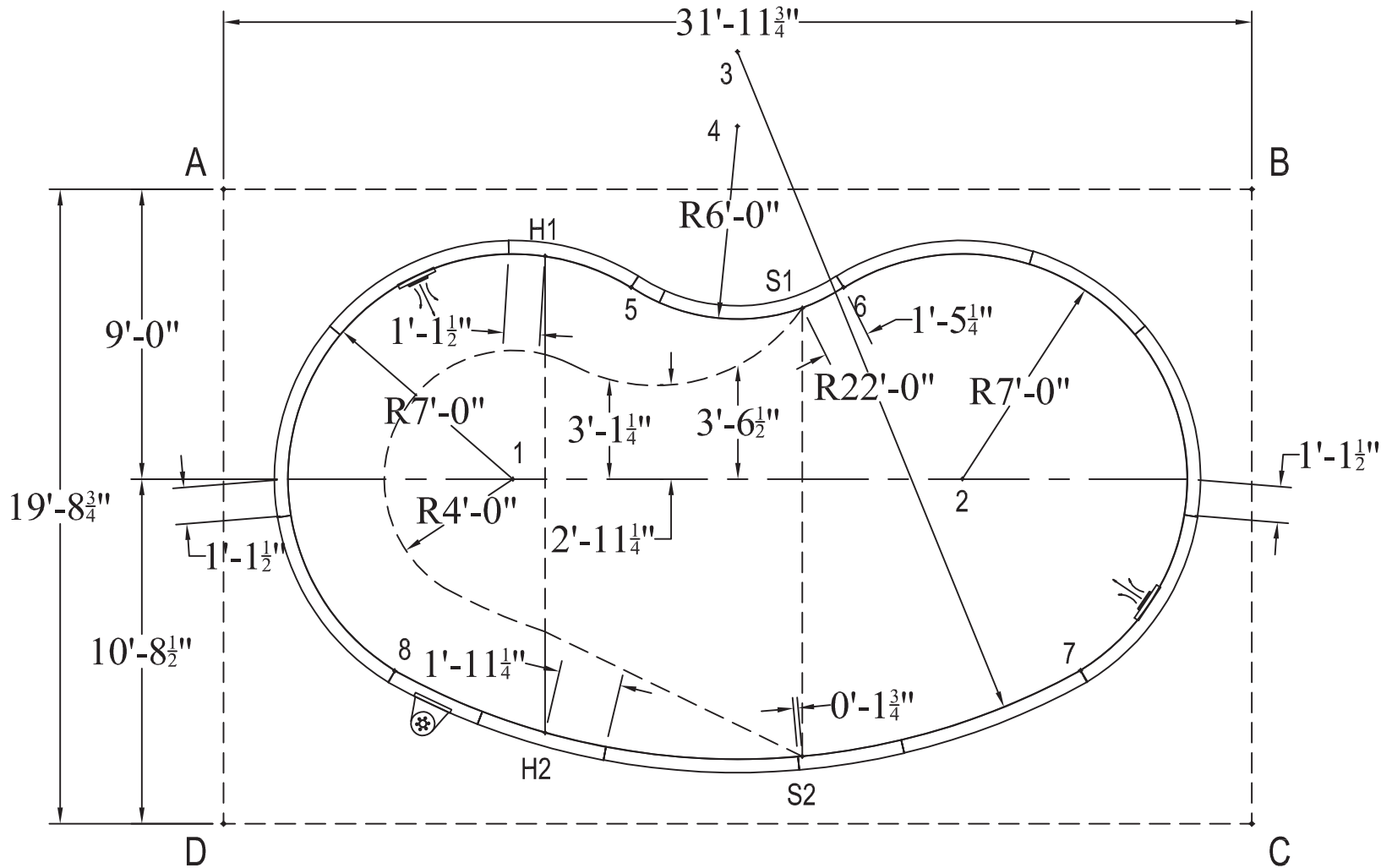
COVER (ft²): 581.2500

Free Form

14-0 X 15-9 X 28-0 RIGHT

	A	B	C	D					
1	12'-8 3/4"	24'-8"	25'-4 1/4"	14'-0"					
2	24'-8"	12'-8 3/4"	14'-0"	25'-4 1/4"	S1	18'-4 1/2"	14'-5 1/2"	21'-3 1/4"	24'-1 1/4"
3	16'-6 1/2"	16'-6 3/4"	28'-10"	28'-10"	S2	25'-2 1/4"	22'-6"	14'-1 1/2"	18'-1 1/2"
4	16'-1 1/4"	16'-1 1/4"	26'-11 1/4"	26'-11 1/4"	H1	10'-2 1/2"	22'-0 3/4"	28'-2 1/4"	20'-3 1/4"
5	13'-0 1/2"	19'-6 1/2"	25'-6"	20'-11 1/4"	H2	19'-7 1/2"	27'-8 1/2"	22'-1 3/4"	10'-4 3/4"
6	19'-6 1/4"	13'-0 1/2"	20'-11 1/4"	25'-6"	A	-	31'-11 3/4"	37'-6 3/4"	19'-8 1/2"
7	30'-6 3/4"	15'-10 1/2"	7'-1 3/4"	27'-0 3/4"					
8	15'-10 3/4"	30'-6 3/4"	27'-0 3/4"	7'-1 3/4"					

DIAGONALS	
1 to 2	13'-11 3/4"
1 to 3	15'-0 1/4"
1 to 4	13'-0"
1 to 5	7'-0"
1 to 6	11'-10 3/4"
1 to 7	18'-7 1/2"
1 to 8	7'-0"
2 to 3	15'-0 1/4"
2 to 4	13'-0"
2 to 5	11'-10 3/4"
2 to 6	7'-0"
2 to 7	7'-0"
2 to 8	18'-7 1/2"
3 to 4	2'-4"
3 to 5	8'-0 1/2"
3 to 6	8'-0 1/2"
3 to 7	22'-0"
3 to 8	22'-0"
4 to 5	6'-0"
4 to 6	6'-0"
4 to 7	20'-0"
4 to 8	20'-0"
5 to 6	6'-7 1/4"
5 to 7	18'-4 1/4"
5 to 8	14'-0"
6 to 7	14'-0"
6 to 8	18'-4 1/4"
7 to 8	21'-3 3/4"
S1 to S2	13'-11 1/4"
S1 to H1	8'-2"
S1 to H2	15'-5 1/4"
S2 to H1	17'-5 3/4"
S2 to H2	8'-0 1/2"
H1 to H2	14'-9 3/4"



CRESCENT

14-0 X 15-9 X 28-0 RIGHT

DATE:01/01/2019

ATLAS SERIES