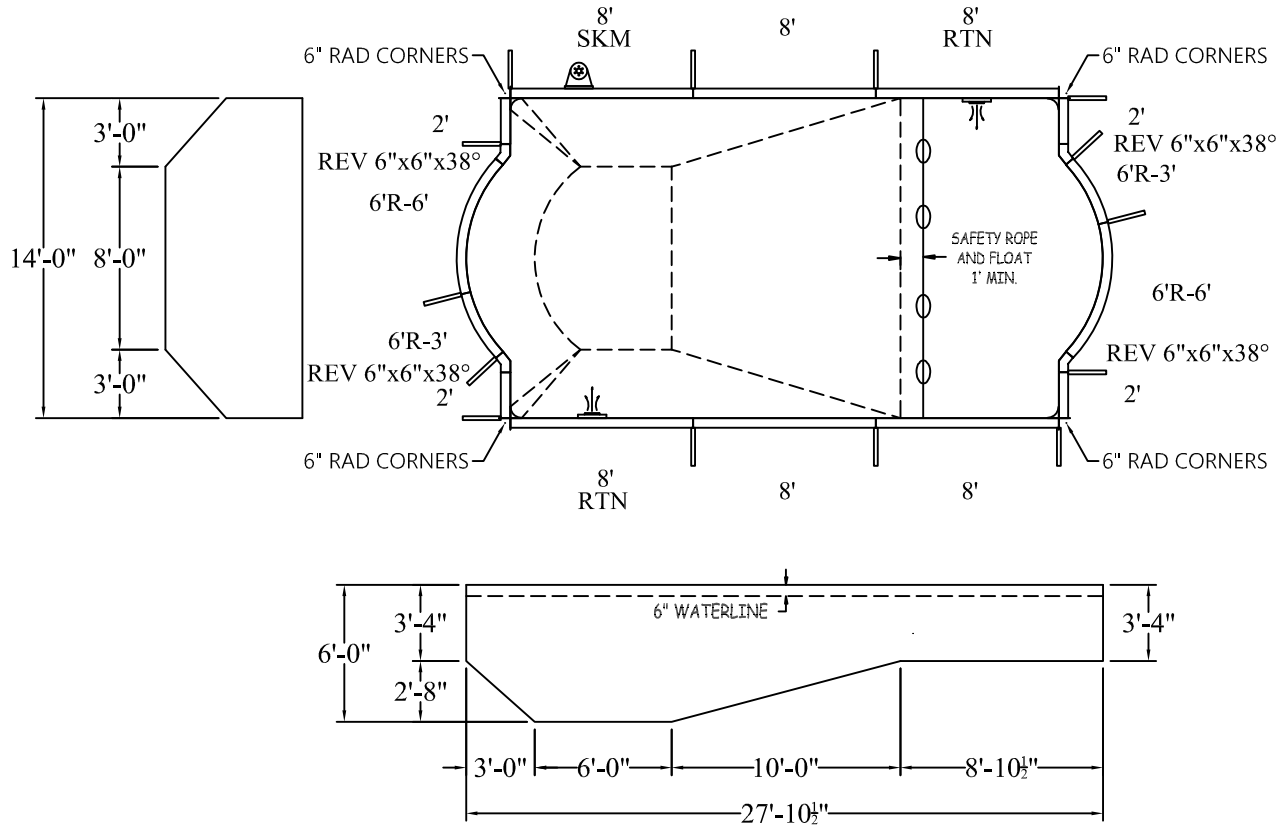
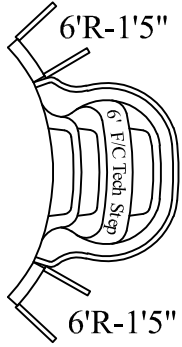


# STEP OPTIONS

## STEP OPTION 1



# NON DIVING

ROMAN 6 IN RAD

14-0 X 27-11

DATE: 01/01/2019

REVISION:

SCALE: N.T.S.

APPROX. WATER VOLUME: 37 900 LITRES

PERIMETER: 78'-0" LIN.FT.

SURFACE (ft²): 359.6099

LINER (ft²): 390.2500

COVER (ft²): 478.6720 Standard

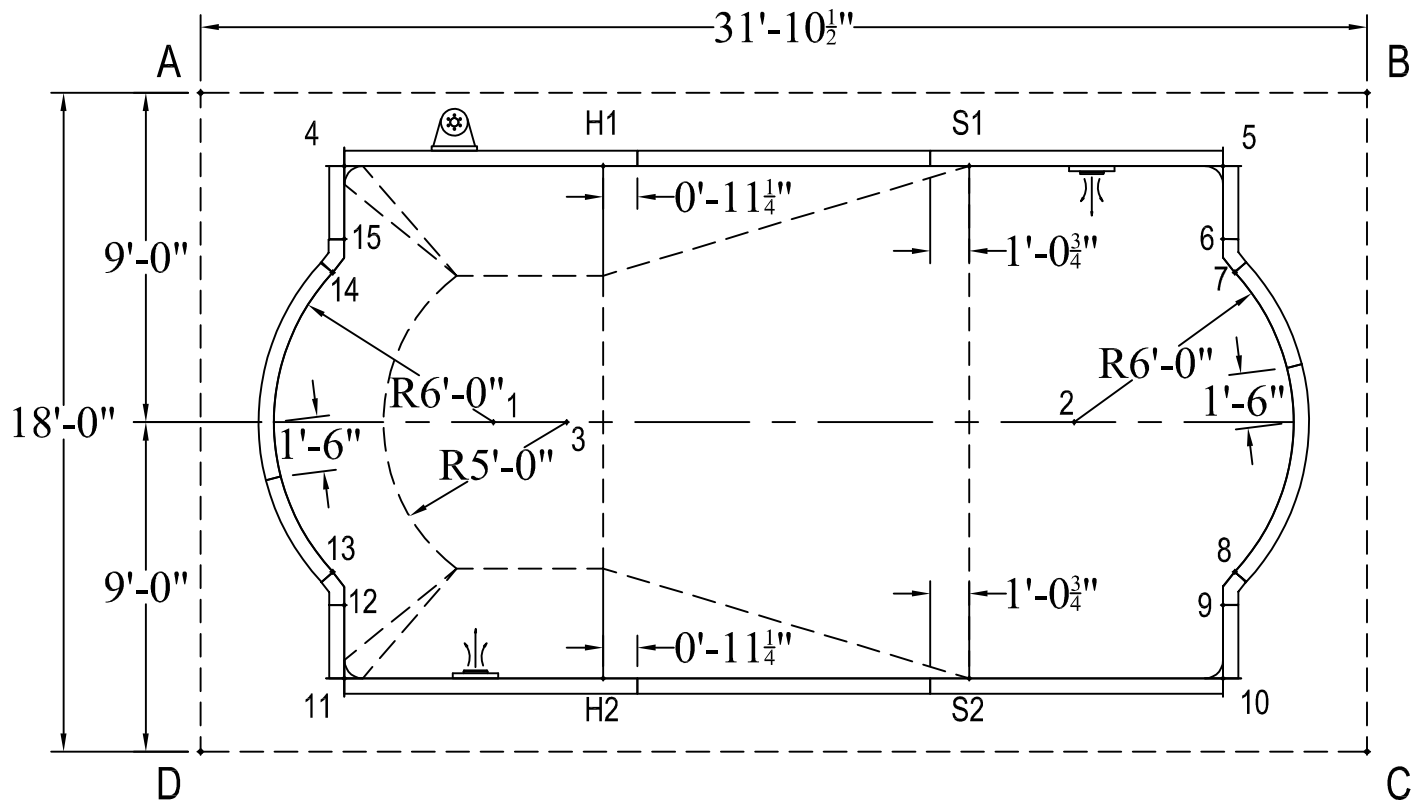
# ATLAS SERIES

### WARNING

SWIMMING POOLS ARE DANGEROUS WHEN USED IMPROPERLY. CONSULT YOUR DEALER FOR INFORMATION ON THE SAFE USE OF SWIMMING POOLS. IT IS THE RESPONSIBILITY OF TOWN OFFICIALS, BUILDERS AND HOME OWNERS TO FOLLOW ALL SAFETY RECOMMENDATIONS OF LOCAL ORDINANCES AND EQUIPMENT MANUFACTURERS FOR DIVING & SLIDING EQUIPMENT REFER TO THE MANUFACTURER'S INSTRUCTIONS TO CORRECTLY POSITION & INSTALL EQUIPMENT.

	A	B	C	D		A	B	C	D	DIAGONALS		1 to 15	6'-5 1/4"	6 to 9	10'-0"
1	12'-0 1/2"	25'-6"	25'-6"	12'-0 1/2"	11	16'-5 3/4"	32'-2 1/4"	28'-0"	4'-5"	1 to 2	15'-10 1/4"	2 to 3	13'-10 1/4"	6 to 10	12'-0"
2	25'-6"	12'-0 1/2"	12'-0 1/2"	25'-6"	12	14'-6 1/2"	31'-3"	28'-2 1/2"	5'-7 1/4"	1 to 3	2'-0"	2 to 4	21'-1 1/2"	6 to 11	26'-10"
3	13'-5 1/2"	23'-7 3/4"	23'-7 3/4"	13'-5 1/2"	13	13'-7"	31'-1 3/4"	28'-8"	6'-1 1/4"	1 to 4	8'-1 1/4"	2 to 5	8'-1 1/4"	6 to 12	26'-0"
4	4'-5"	28'-0"	32'-2 1/4"	16'-5 3/4"	14	6'-1 1/4"	28'-8"	31'-1 3/4"	13'-7"	1 to 5	21'-1 1/2"	2 to 6	6'-5 1/4"	6 to 13	25'-11 1/2"
5	28'-0"	4'-5"	16'-5 3/4"	32'-2 1/4"	15	5'-7 1/4"	28'-2 1/2"	31'-3"	14'-6 1/2"	1 to 6	20'-6 1/2"	2 to 7	6'-0"	6 to 14	24'-4"
6	28'-2 1/2"	5'-7 1/4"	14'-6 1/2"	31'-3"	S1	21'-1 1/4"	11'-0 1/2"	19'-4"	26'-4 3/4"	1 to 7	20'-8"	2 to 8	6'-0"	6 to 15	24'-0"
7	28'-8"	6'-1 1/4"	13'-7"	31'-1 3/4"	S2	26'-4 3/4"	19'-4"	11'-0 1/2"	21'-1 1/4"	1 to 8	20'-8"	2 to 9	6'-5 1/4"	7 to 8	8'-2 1/4"
8	31'-1 3/4"	13'-7"	6'-1 1/4"	28'-8"	H1	11'-2 1/4"	20'-11 1/2"	26'-3 1/2"	19'-5"	1 to 9	20'-6 1/2"	2 to 10	8'-1 1/4"	7 to 9	9'-1 1/4"
9	31'-3"	14'-6 1/2"	5'-7 1/4"	28'-2 1/2"	H2	19'-5"	26'-3 1/2"	20'-11 1/2"	11'-2 1/4"	1 to 10	21'-1 1/2"	2 to 11	21'-1 1/2"	7 to 10	11'-1 1/4"
10	32'-2 1/4"	16'-5 3/4"	4'-5"	28'-0"	A	-	31'-10 1/4"	36'-7 1/4"	18'-0"	1 to 11	8'-1 1/4"	2 to 12	20'-6 1/2"	7 to 11	26'-8 3/4"

1 to 12	6'-5 1/4"	2 to 13	20'-8"	7 to 12	25'-11 1/2"
1 to 13	6'-0"	2 to 14	20'-8"	7 to 13	25'-11 1/2"
1 to 14	6'-0"	2 to 15	20'-6 1/2"	7 to 14	24'-7 3/4"
3 to 4	9'-3 1/4"	7 to 15	24'-4"		
3 to 5	19'-3"	8 to 9	0'-11 1/2"		
3 to 6	18'-7 1/2"	8 to 10	2'-11 1/4"		
3 to 7	18'-8 1/2"	8 to 11	24'-6"		
3 to 8	18'-8 1/2"	8 to 12	24'-4"		
3 to 9	18'-7 1/2"	8 to 13	24'-7 3/4"		
3 to 10	19'-3"	8 to 14	25'-11 1/2"		
3 to 11	9'-3 1/4"	8 to 15	25'-11 1/2"		
3 to 12	7'-10 1/4"	9 to 10	2'-0"		
3 to 13	7'-7"	9 to 11	24'-1"		
3 to 14	7'-7"	9 to 12	24'-0"		
3 to 15	7'-10 1/4"	9 to 13	24'-4"		
4 to 5	24'-0"	9 to 14	25'-11 1/2"		
4 to 6	24'-1"	9 to 15	26'-0"		
4 to 7	24'-6"	10 to 11	24'-0"		
4 to 8	26'-8 3/4"	10 to 12	24'-1"		
4 to 9	26'-10"	10 to 13	24'-6"		
4 to 10	27'-9 1/2"	10 to 14	26'-8 3/4"		
4 to 11	14'-0"	10 to 15	26'-10"		
4 to 12	12'-0"	11 to 12	2'-0"		
4 to 13	11'-1 1/4"	11 to 13	2'-11 1/4"		
4 to 14	2'-11 1/4"	11 to 14	11'-1 1/4"		
4 to 15	2'-0"	11 to 15	12'-0"		
5 to 6	2'-0"	12 to 13	0'-11 1/2"		
5 to 7	2'-11 1/4"	12 to 14	9'-1 1/4"		
5 to 8	11'-1 1/4"	12 to 15	10'-0"		
5 to 9	12'-0"	13 to 14	8'-2 1/4"		
5 to 10	14'-0"	13 to 15	9'-1 1/4"		
5 to 11	27'-9 1/2"	14 to 15	0'-11 1/2"		
5 to 12	26'-10"	S1 to S2	14'-0"		
5 to 13	26'-8 3/4"	S1 to H1	10'-0"		
5 to 14	24'-6"	S1 to H2	17'-2 1/2"		
5 to 15	24'-1"	S2 to H1	17'-2 1/2"		
6 to 7	0'-11 1/2"	S2 to H2	10'-0"		
6 to 8	9'-1 1/4"	H1 to H2	14'-0"		



ROMAN 6 IN RAD

14-0 X 27-11

DATE:01/01/2019

ATLAS SERIES