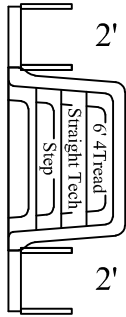
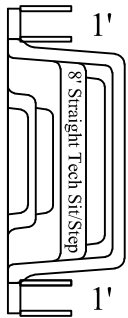


STEP OPTIONS

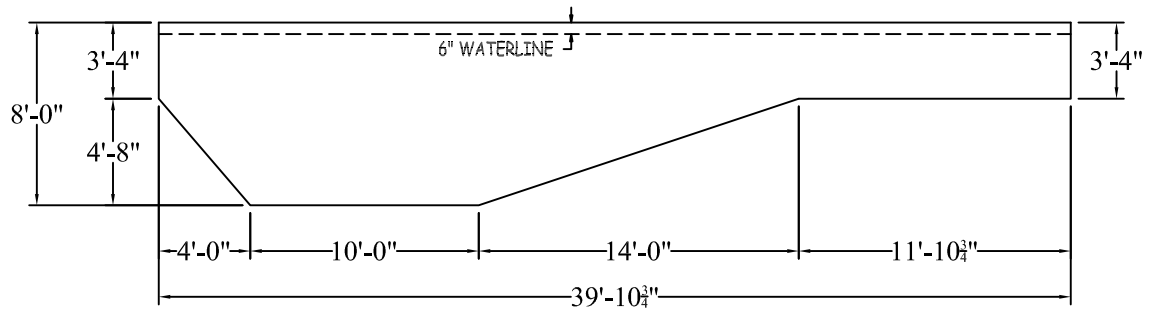
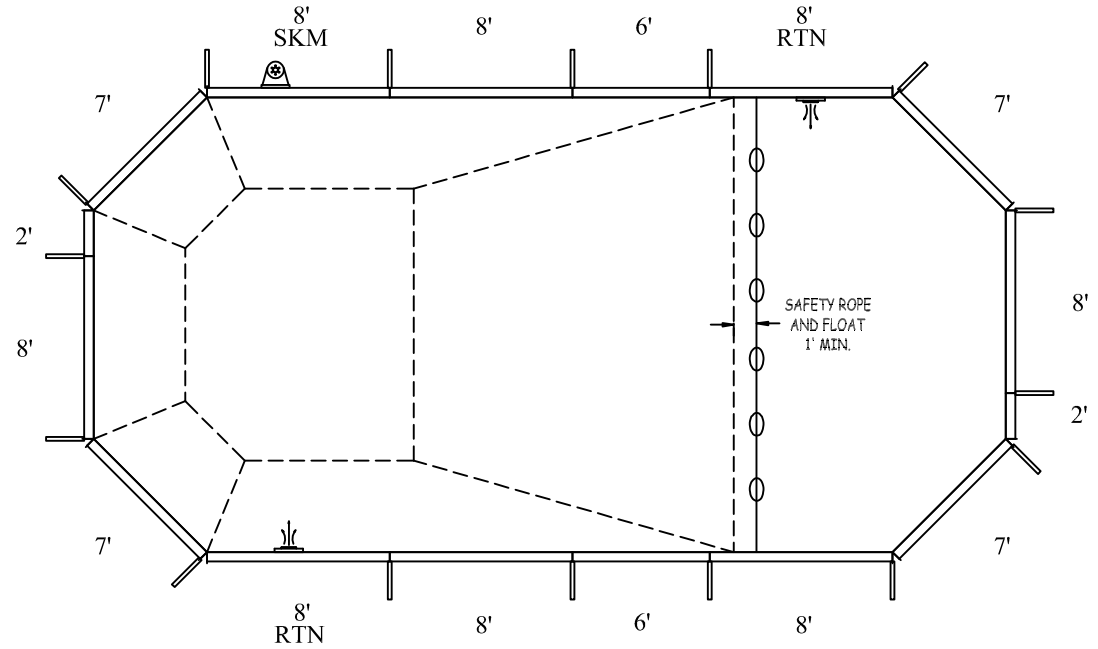
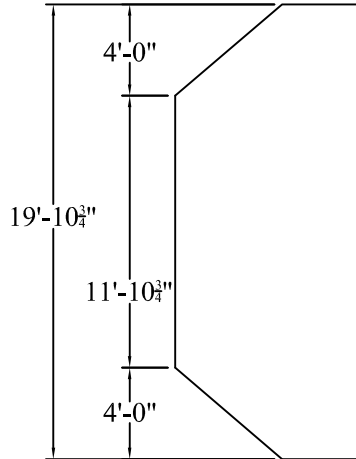
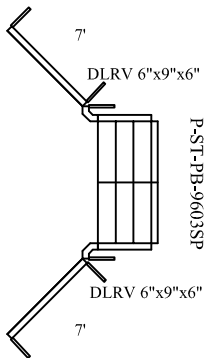
STEP OPTION 1



STEP OPTION 2



STEP OPTION 3



GRECIAN

19-11 X 39-11

DATE: 01/01/2019

REVISION:

SCALE: N.T.S.

APPROX. WATER VOLUME: 92 700 LITRES

PERIMETER: 108'-0" LIN.FT.

SURFACE (ft²): 744.9798

LINER (ft²): 793.7529

COVER (ft²): 918.6950 Standard

ATLAS SERIES

WARNING

SWIMMING POOLS ARE DANGEROUS WHEN USED IMPROPERLY. CONSULT YOUR DEALER FOR INFORMATION ON THE SAFE USE OF SWIMMING POOLS. IT IS THE RESPONSIBILITY OF TOWN OFFICIALS, BUILDERS AND HOME OWNERS TO FOLLOW ALL SAFETY RECOMMENDATIONS OF LOCAL ORDINANCES AND EQUIPMENT MANUFACTURERS FOR DIVING & SLIDING EQUIPMENT REFER TO THE MANUFACTURER'S INSTRUCTIONS TO CORRECTLY POSITION & INSTALL EQUIPMENT.

| | A | B | C | D | | | | | |
|---|-------------|-------------|-------------|-------------|----|------------|-------------|-------------|-------------|
| 1 | 7'-2 3/4" | 37'-0" | 42'-11 1/2" | 22'-11 3/4" | 8 | 7'-2 3/4" | 42'-5 3/4" | 45'-2 1/2" | 17'-0 3/4" |
| 2 | 37'-0" | 7'-2 3/4" | 22'-11 3/4" | 42'-11 1/2" | S1 | 30'-0 3/4" | 14'-0 1/2" | 25'-11 1/4" | 37'-1 3/4" |
| 3 | 42'-5 3/4" | 7'-2 3/4" | 17'-0 3/4" | 45'-2 1/2" | S2 | 37'-1 3/4" | 25'-11 1/4" | 14'-0 1/2" | 30'-0 3/4" |
| 4 | 45'-2 1/2" | 17'-0 3/4" | 7'-2 3/4" | 42'-5 3/4" | H1 | 16'-1 1/2" | 27'-11 3/4" | 35'-5 1/2" | 27'-1 1/2" |
| 5 | 42'-11 1/2" | 22'-11 3/4" | 7'-2 3/4" | 37'-0" | H2 | 27'-1 1/2" | 35'-5 1/2" | 27'-11 3/4" | 16'-1 1/2" |
| 6 | 22'-11 3/4" | 42'-11 1/2" | 37'-0" | 7'-2 3/4" | A | - | 43'-10 3/4" | 49'-11 3/4" | 23'-10 3/4" |
| 7 | 17'-0 3/4" | 45'-2 1/2" | 42'-5 3/4" | 7'-2 3/4" | | | | | |

| DIAGONALS | |
|-----------|-------------|
| 1 to 2 | 30'-0" |
| 1 to 3 | 35'-3 1/2" |
| 1 to 4 | 38'-0 1/4" |
| 1 to 5 | 36'-0" |
| 1 to 6 | 19'-10 3/4" |
| 1 to 7 | 15'-9" |
| 1 to 8 | 7'-0" |
| 2 to 3 | 7'-0" |
| 2 to 4 | 15'-9" |
| 2 to 5 | 19'-10 3/4" |
| 2 to 6 | 36'-0" |
| 2 to 7 | 38'-0 1/4" |
| 2 to 8 | 35'-3 1/2" |
| 3 to 4 | 10'-0" |
| 3 to 5 | 15'-9" |
| 3 to 6 | 38'-0 1/4" |
| 3 to 7 | 41'-1 1/2" |
| 3 to 8 | 39'-10 3/4" |
| 4 to 5 | 7'-0" |
| 4 to 6 | 35'-3 1/2" |
| 4 to 7 | 39'-10 3/4" |
| 4 to 8 | 41'-1 1/2" |
| 5 to 6 | 30'-0" |
| 5 to 7 | 35'-3 1/2" |
| 5 to 8 | 38'-0 1/4" |
| 6 to 7 | 7'-0" |
| 6 to 8 | 15'-9" |
| 7 to 8 | 10'-0" |
| S1 to S2 | 19'-10 3/4" |
| S1 to H1 | 14'-0" |
| S1 to H2 | 24'-4" |
| S2 to H1 | 24'-4" |
| S2 to H2 | 14'-0" |
| H1 to H2 | 19'-10 3/4" |

