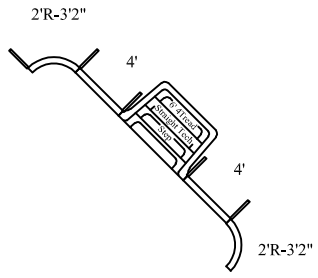
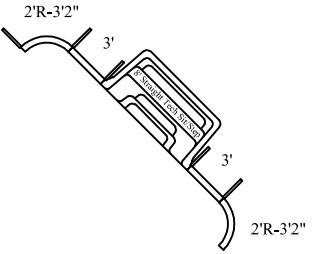


STEP OPTIONS

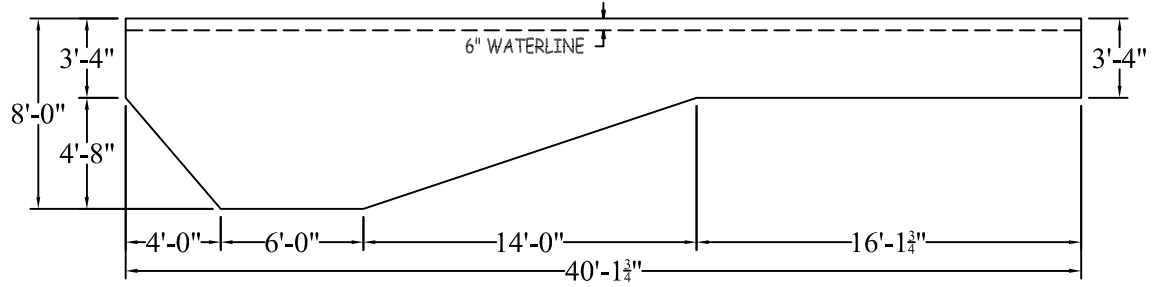
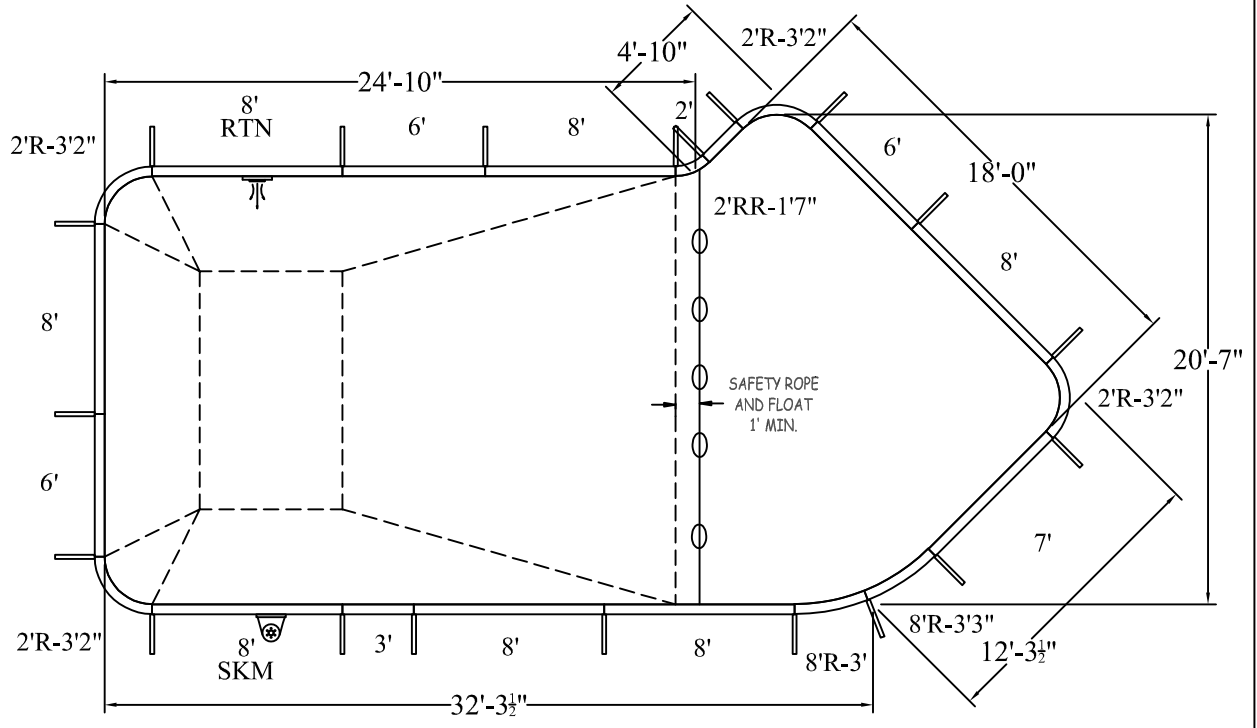
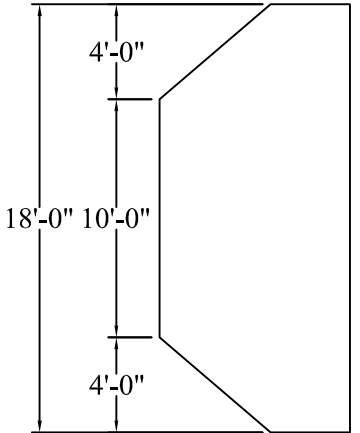
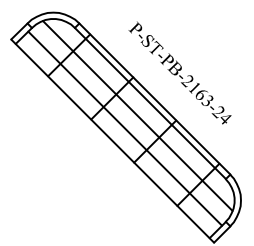
STEP OPTION 1



STEP OPTION 2



STEP OPTION 3



LAZY L 2FT RAD

DATE: 01/01/2020

PERIMETER: 106'-6" LIN.FT.

REVISION:

SURFACE (ft²): 668.5243

SCALE: N.T.S.

LINER (ft²): 668.2500

APPROX. WATER VOLUME: 82200 LITRES

COVER (ft²): 952.2574 Standard

ATLAS SERIES

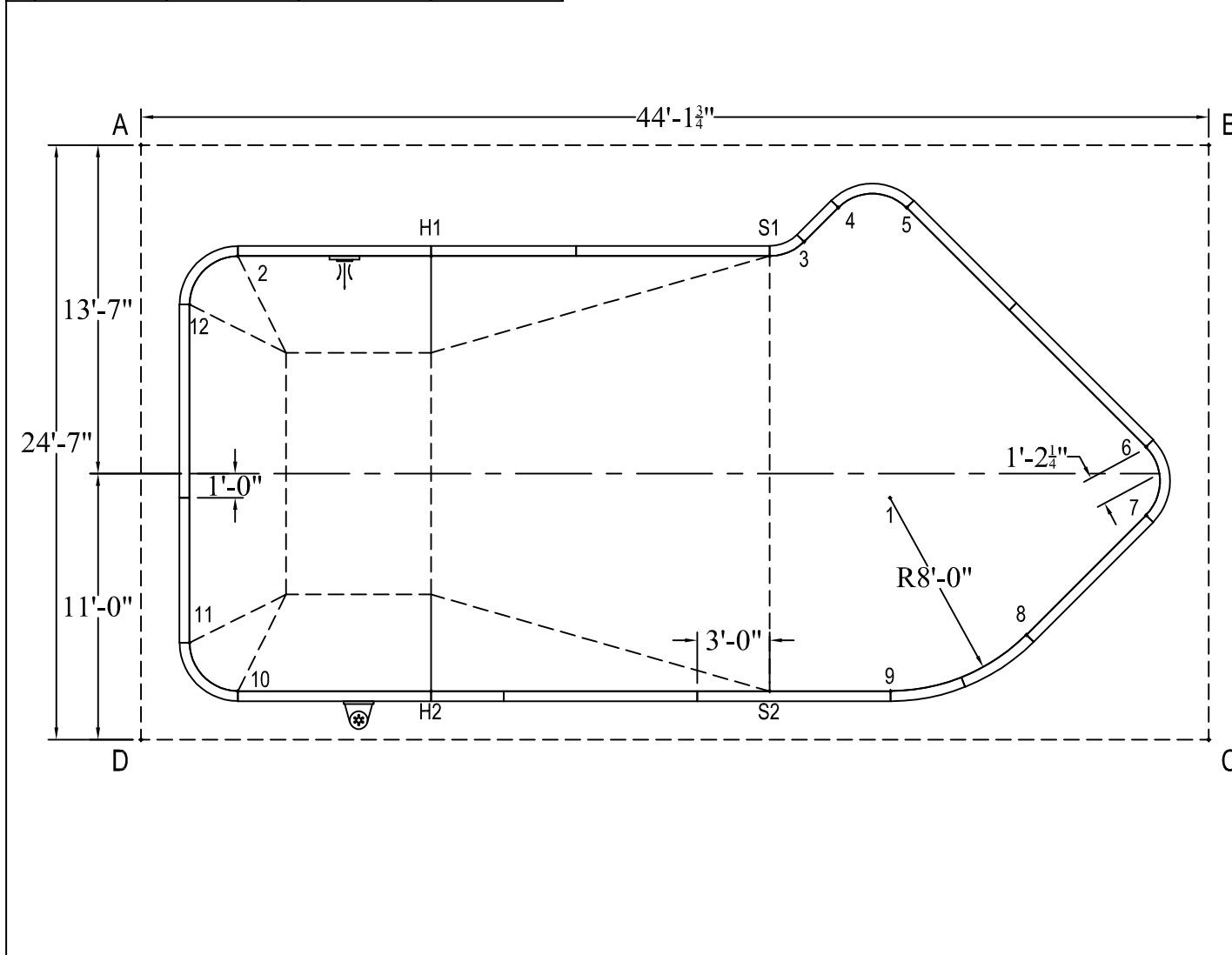
WARNING

SWIMMING POOLS ARE DANGEROUS WHEN USED IMPROPERLY. CONSULT YOUR DEALER FOR INFORMATION ON THE SAFE USE OF SWIMMING POOLS. IT IS THE RESPONSIBILITY OF TOWN OFFICIALS, BUILDERS AND HOME OWNERS TO FOLLOW ALL SAFETY RECOMMENDATIONS OF LOCAL ORDINANCES AND EQUIPMENT MANUFACTURERS FOR DIVING & SLIDING EQUIPMENT REFER TO THE MANUFACTURER'S INSTRUCTIONS TO CORRECTLY POSITION & INSTALL EQUIPMENT.

18-0 X 20-7 X 40-2 RIGHT

	A	B	C	D		A	B	C	D
1	34'-3"	19'-8"	16'-6 1/2"	32'-6 1/2"	10	22'-11 1/4"	46'-0 3/4"	40'-2 1/2"	4'-5 3/4"
2	6'-1"	40'-5"	44'-10 1/4"	20'-4 3/4"	11	20'-8 1/4"	46'-11"	42'-4"	4'-5 3/4"
3	27'-8 1/2"	17'-2 1/2"	26'-6 1/4"	34'-3 1/2"	12	6'-10 3/4"	42'-8"	45'-10"	18'-1 1/4"
4	28'-11 1/2"	15'-6 1/2"	26'-9 3/4"	36'-3 1/4"	S1	26'-4 3/4"	18'-8 3/4"	27'-0"	32'-9 3/4"
5	31'-9 1/4"	12'-9"	25'-3 1/2"	38'-6 3/4"	S2	34'-5 1/4"	28'-11 3/4"	18'-3 1/4"	26'-1"
6	43'-4 3/4"	12'-9"	12'-4 1/2"	43'-3 1/2"	H1	12'-10 1/4"	32'-5 3/4"	37'-10 1/2"	23'-4"
7	44'-3 1/2"	15'-6 1/4"	9'-7 1/2"	42'-7"	H2	25'-7"	39'-3 1/2"	32'-2 1/2"	12'-2"
8	41'-10 1/4"	21'-7 1/2"	8'-8 1/4"	36'-10 1/2"	A	-	44'-1 3/4"	50'-6 1/2"	24'-7"
9	38'-4 1/4"	26'-1 3/4"	13'-3 3/4"	31'-0 3/4"					

DIAGONALS		3 to 12	25'-6 3/4"
1 to 2	28'-9 1/4"	4 to 5	2'-10"
1 to 3	11'-2"	4 to 6	16'-1 1/2"
1 to 4	12'-2 1/4"	4 to 7	18'-0"
1 to 5	12'-0 1/4"	4 to 8	19'-3 3/4"
1 to 6	10'-9 1/2"	4 to 9	20'-1 1/2"
1 to 7	10'-7 1/2"	4 to 10	31'-10 3/4"
1 to 8	8'-0"	4 to 11	32'-3 3/4"
1 to 9	8'-0"	4 to 12	27'-1 1/2"
1 to 10	28'-1 3/4"	5 to 6	14'-0"
1 to 11	29'-7"	5 to 7	16'-1 1/2"
1 to 12	30'-0 3/4"	5 to 8	18'-4 1/4"
2 to 3	23'-5 1/4"	5 to 9	20'-0 1/4"
2 to 4	24'-11"	5 to 10	34'-1 3/4"
2 to 5	27'-8 3/4"	5 to 11	34'-8 1/2"
2 to 6	38'-4 3/4"	5 to 12	29'-11 1/4"
2 to 7	39'-0 3/4"	6 to 7	2'-10"
2 to 8	36'-2 1/4"	6 to 8	9'-2 3/4"
2 to 9	32'-5 1/2"	6 to 9	14'-7 1/2"
2 to 10	18'-0"	6 to 10	38'-10 3/4"
2 to 11	16'-1 1/2"	6 to 11	40'-4 3/4"
2 to 12	2'-10"	6 to 12	40'-0"
3 to 4	2'-0"	7 to 8	7'-0"
3 to 5	4'-5 3/4"	7 to 9	12'-10"
3 to 6	16'-6"	7 to 10	38'-3 1/4"
3 to 7	18'-1 1/4"	7 to 11	39'-11"
3 to 8	18'-8 1/4"	7 to 12	40'-6 1/4"
3 to 9	18'-11 1/4"	8 to 9	6'-1"
3 to 10	29'-10 3/4"	8 to 10	32'-8 1/2"
3 to 11	30'-4 1/4"	8 to 11	34'-7 1/2"



8 to 12	37'-2 3/4"
9 to 10	27'-0"
9 to 11	29'-0 3/4"
9 to 12	33'-1 1/2"
10 to 11	2'-10"
10 to 12	16'-1 1/2"
11 to 12	14'-0"
S1 to S2	18'-0"
S1 to H1	14'-0"
S1 to H2	22'-9 3/4"
S2 to H1	22'-9 3/4"
S2 to H2	14'-0"
H1 to H2	18'-0"

LAZY L 2FT RAD

18-0 X 20-7 X 40-2 RIGHT

DATE:01/01/2020

ATLAS SERIES