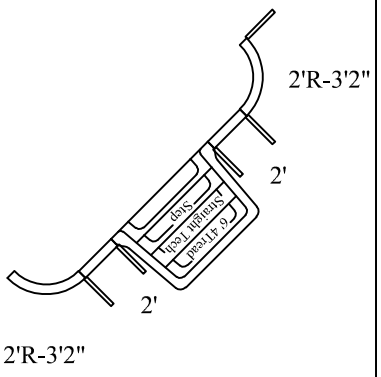
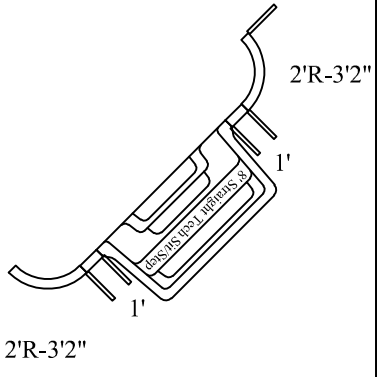


STEP OPTIONS

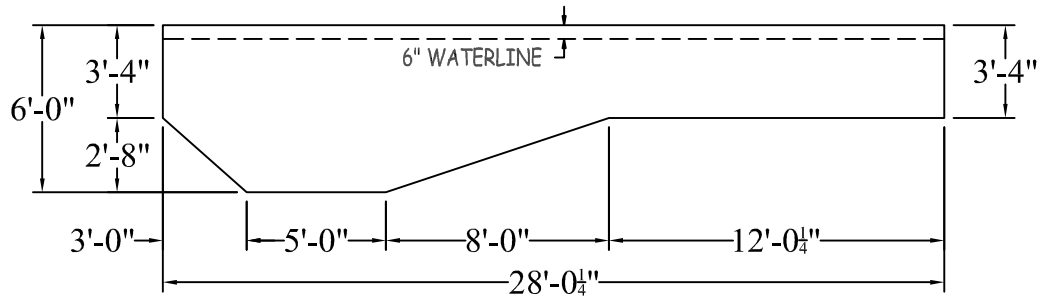
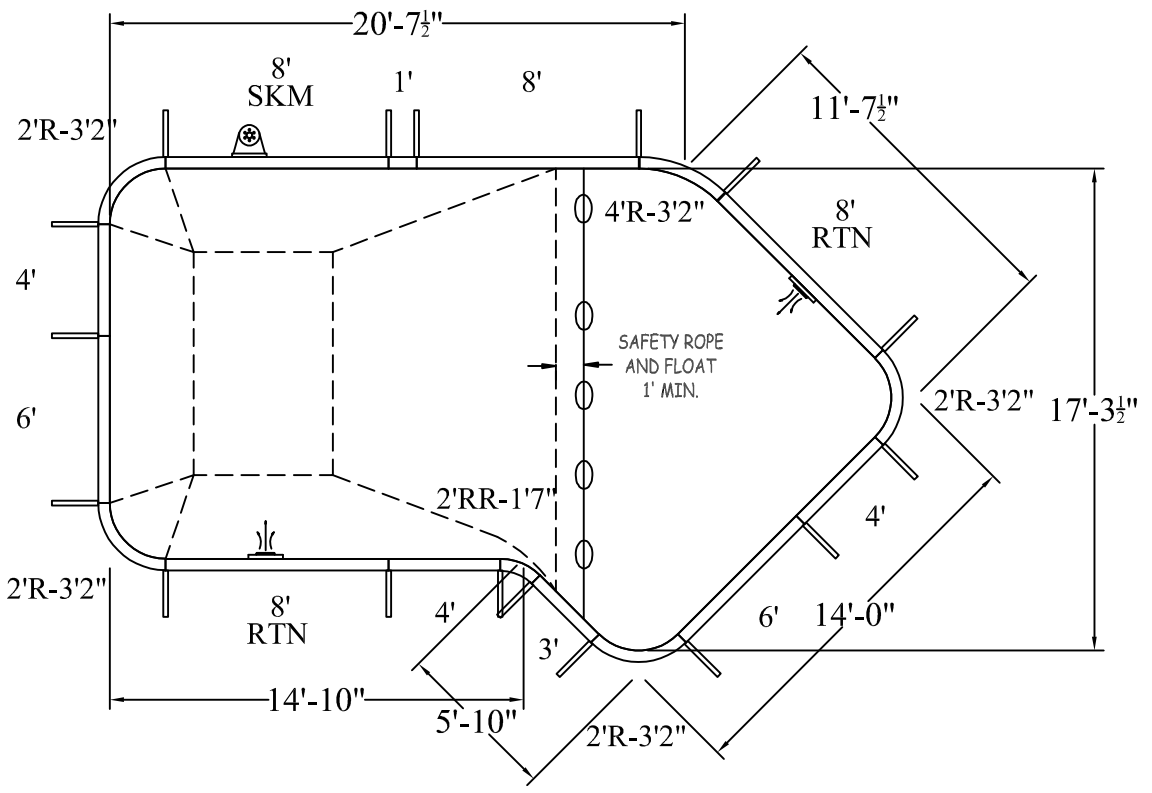
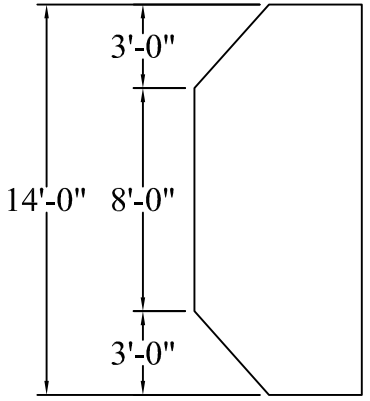
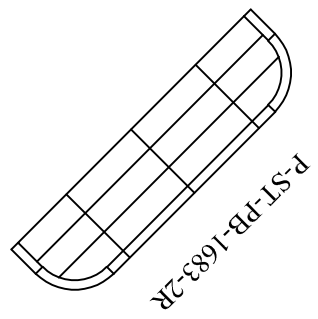
STEP OPTION 1



STEP OPTION 2



STEP OPTION 3



NON DIVING

ATLAS SERIES

WARNING
SWIMMING POOLS ARE DANGEROUS WHEN USED IMPROPERLY. CONSULT YOUR DEALER FOR INFORMATION ON THE SAFE USE OF SWIMMING POOLS. IT IS THE RESPONSIBILITY OF TOWN OFFICIALS, BUILDERS AND HOME OWNERS TO FOLLOW ALL SAFETY RECOMMENDATIONS OF LOCAL ORDINANCES AND EQUIPMENT MANUFACTURERS FOR DIVING & SLIDING EQUIPMENT REFER TO THE MANUFACTURE'S INSTRUCTIONS TO CORRECTLY POSITION & INSTALL EQUIPMENT.

LAZY L 2FT RAD

14-0 X 17-4 X 28-0 LEFT

DATE: 01/01/2020

REVISION:

SCALE: N.T.S.

APPROX. WATER VOLUME: 38400 LITRES

PERIMETER: 77'-5" LIN.FT.

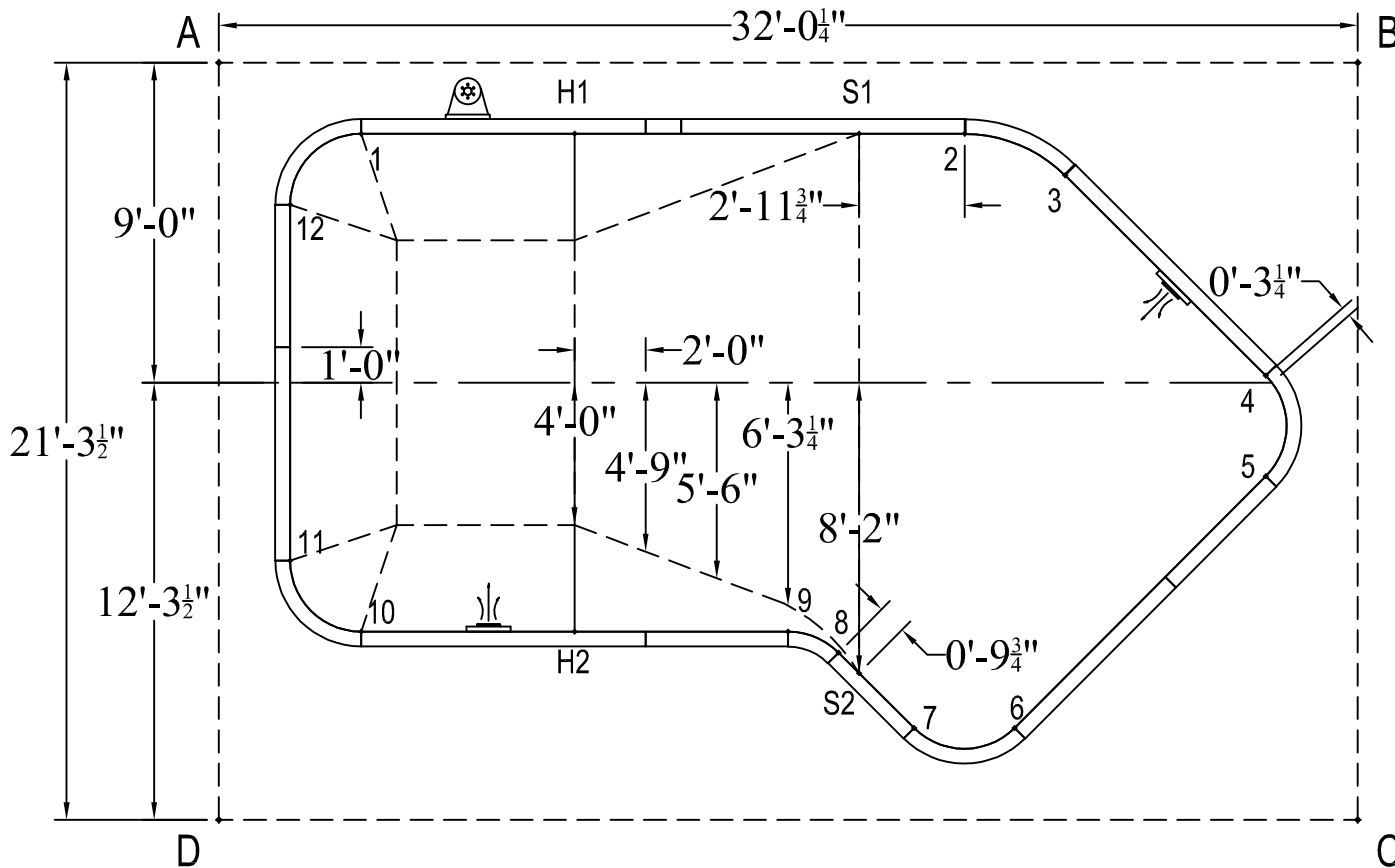
SURFACE (ft²): 366.7258

LINER (ft²): 370.4162

COVER (ft²): 579.9900 Standard

	A	B	C	D		A	B	C	D
1	4'-5 3/4"	28'-1 1/4"	34'-0 1/4"	19'-8 1/2"	10	16'-6"	32'-3 1/4"	28'-6 1/4"	6'-7 1/2"
2	21'-0 3/4"	11'-2 3/4"	22'-2 3/4"	28'-6"	11	14'-1 3/4"	33'-1 1/2"	30'-10 3/4"	7'-6 3/4"
3	24'-0"	8'-9 3/4"	19'-10 3/4"	29'-11"	12	4'-5 3/4"	30'-3 1/2"	34'-7 3/4"	17'-5"
4	30'-8 3/4"	9'-2"	12'-9"	31'-11 3/4"	S1	18'-1 1/4"	14'-2"	23'-10 1/4"	26'-4 3/4"
5	31'-7 3/4"	11'-11"	10'-0"	30'-11 3/4"	S2	24'-10 1/2"	22'-2"	14'-7 1/2"	18'-5 1/2"
6	29'-2"	21'-0 1/2"	10'-0"	22'-6 1/4"	H1	10'-2 1/2"	22'-1 1/2"	29'-3 1/4"	21'-8 3/4"
7	27'-0 3/4"	22'-5 3/4"	12'-9"	19'-8 1/2"	H2	18'-10 1/2"	27'-2 3/4"	22'-7 3/4"	11'-3 3/4"
8	24'-0 3/4"	22'-1 1/4"	15'-4"	18'-0 1/2"	A	-	32'-0 1/4"	38'-5 1/2"	21'-3 1/2"
9	22'-7 1/2"	22'-7 3/4"	16'-10 1/2"	16'-10 1/4"					

DIAGONALS		3 to 12	21'-9 3/4"
1 to 2	16'-11 3/4"	4 to 5	2'-10"
1 to 3	19'-10"	4 to 6	12'-2"
1 to 4	26'-4"	4 to 7	14'-0"
1 to 5	27'-2 1/2"	4 to 8	14'-3 3/4"
1 to 6	24'-10"	4 to 9	15'-3"
1 to 7	22'-9 3/4"	4 to 10	26'-5 1/4"
1 to 8	19'-10"	4 to 11	27'-11"
1 to 9	18'-5 1/4"	4 to 12	27'-10 1/4"
1 to 10	14'-0"	5 to 6	10'-0"
1 to 11	12'-2"	5 to 7	12'-2"
1 to 12	2'-10"	5 to 8	13'-0"
2 to 3	3'-0 3/4"	5 to 9	14'-1 1/2"
2 to 4	10'-10 1/4"	5 to 10	25'-9 3/4"
2 to 5	12'-10"	5 to 11	27'-6 1/2"
2 to 6	16'-9 1/4"	5 to 12	28'-5 3/4"
2 to 7	16'-9 1/4"	6 to 7	2'-10"
2 to 8	15'-0 1/4"	6 to 8	5'-4 1/2"
2 to 9	14'-10 1/4"	6 to 9	6'-11"
2 to 10	22'-0"	6 to 10	18'-6 3/4"
2 to 11	22'-5 1/4"	6 to 11	20'-11"
2 to 12	19'-1"	6 to 12	25'-1 1/2"
3 to 4	7'-11 3/4"	7 to 8	3'-0"
3 to 5	10'-2"	7 to 9	4'-5 1/2"
3 to 6	15'-7 1/4"	7 to 10	15'-9 1/4"
3 to 7	16'-1 1/4"	7 to 11	18'-2"
3 to 8	14'-10 1/4"	7 to 12	22'-10 3/4"
3 to 9	15'-0 1/4"	8 to 9	1'-6 1/2"
3 to 10	23'-7"	8 to 10	13'-5 1/4"
3 to 11	24'-4"	8 to 11	15'-7 3/4"



8 to 12	19'-11"
9 to 10	12'-0"
9 to 11	14'-1 3/4"
9 to 12	18'-5 1/4"
10 to 11	2'-10"
10 to 12	12'-2"
11 to 12	10'-0"
S1 to S2	15'-2"
S1 to H1	8'-0"
S1 to H2	16'-1 1/2"
S2 to H1	17'-1 3/4"
S2 to H2	8'-1"
H1 to H2	14'-0"

LAZY L 2FT RAD

14-0 X 17-4 X 28-0 LEFT

DATE:01/01/2020

ATLAS SERIES