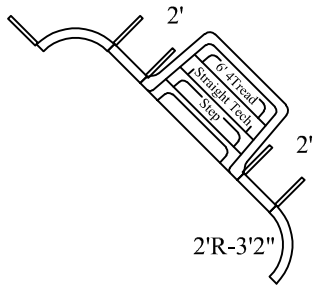


# STEP OPTIONS

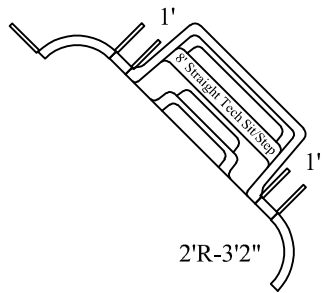
## STEP OPTION 1

2'R-3'2"

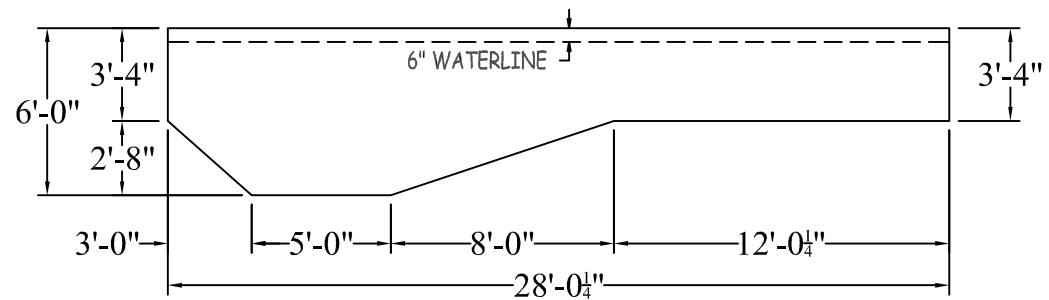
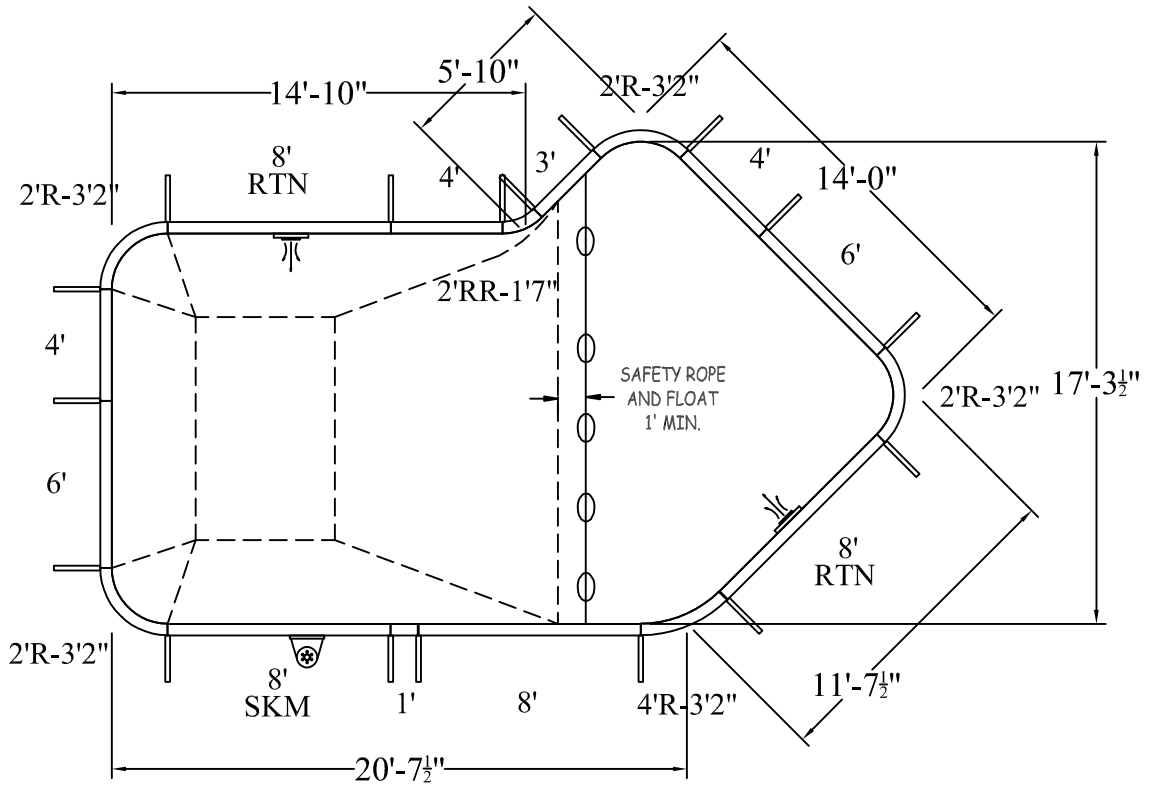
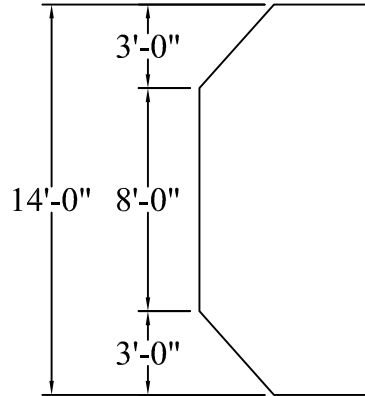
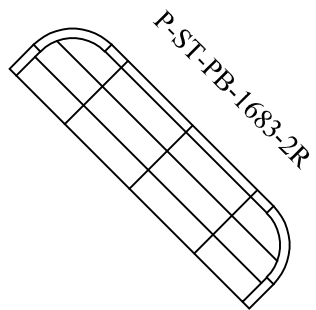


## STEP OPTION 2

2'R-3'2"



## STEP OPTION 3



# NON DIVING

# ATLAS SERIES

LAZY L 2FT RAD

DATE: 01/01/2020

PERIMETER: 77'-5" LIN.FT.

REVISION:

SURFACE (ft<sup>2</sup>): 366.7258

14-0 X 17-4 X 28-0 RIGHT

SCALE: N.T.S.

LINER (ft<sup>2</sup>): 370.4162

APPROX. WATER VOLUME: 38400 LITRES

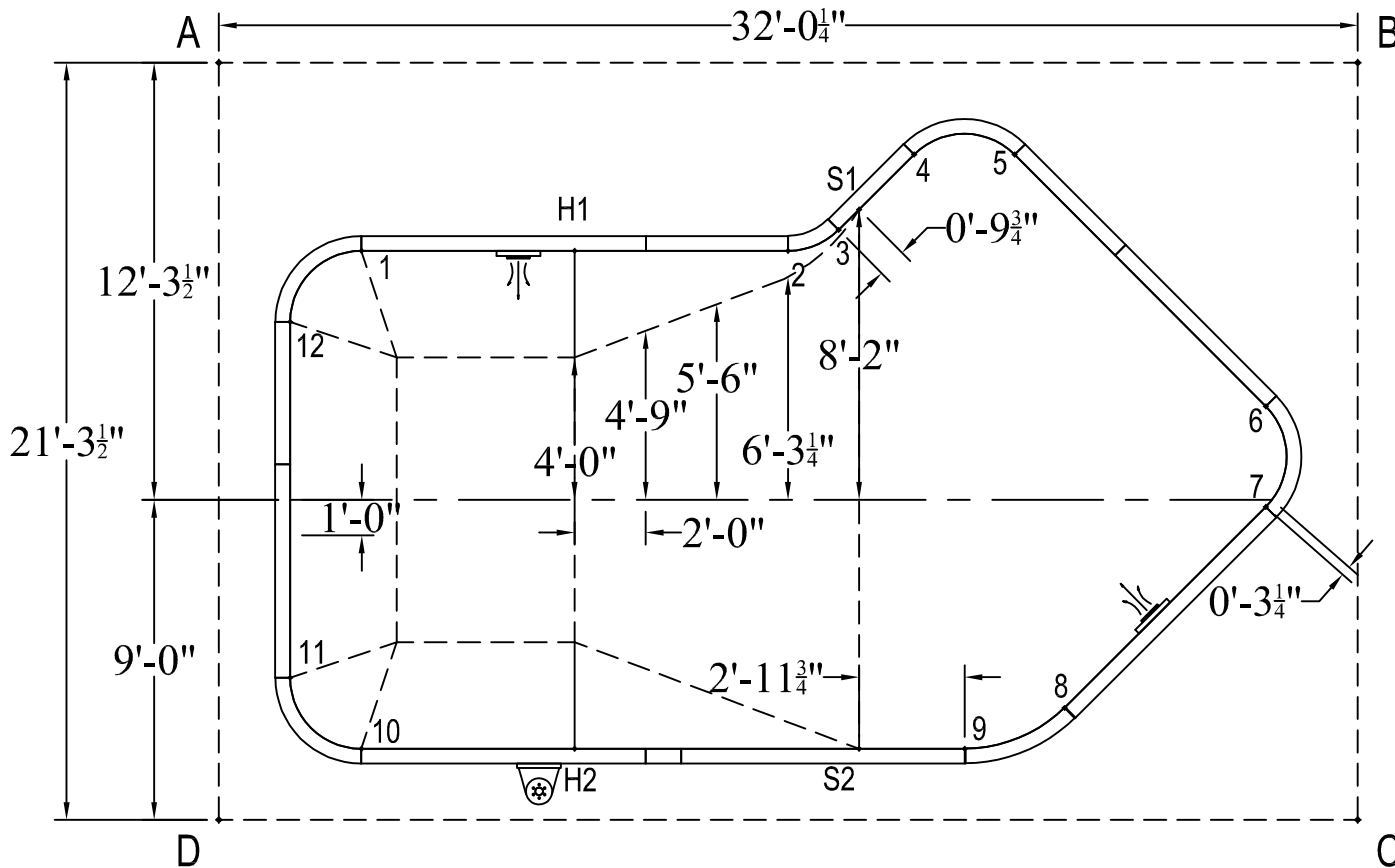
COVER (ft<sup>2</sup>): 579.9900 Standard

### WARNING

SWIMMING POOLS ARE DANGEROUS WHEN USED IMPROPERLY. CONSULT YOUR DEALER FOR INFORMATION ON THE SAFE USE OF SWIMMING POOLS. IT IS THE RESPONSIBILITY OF TOWN OFFICIALS, BUILDERS AND HOME OWNERS TO FOLLOW ALL SAFETY RECOMMENDATIONS OF LOCAL ORDINANCES AND EQUIPMENT MANUFACTURERS FOR DIVING & SLIDING EQUIPMENT REFER TO THE MANUFACTURE'S INSTRUCTIONS TO CORRECTLY POSITION & INSTALL EQUIPMENT.

	A	B	C	D		A	B	C	D
1	6'-7 1/2"	28'-6 1/4"	32'-3 1/4"	16'-6"	10	19'-8 1/2"	34'-0 1/4"	28'-1 1/4"	4'-5 3/4"
2	16'-10 1/4"	16'-10 1/2"	22'-7 3/4"	22'-7 1/2"	11	17'-5"	34'-7 3/4"	30'-3 1/2"	4'-5 3/4"
3	18'-0 1/2"	15'-4"	22'-1 1/4"	24'-0 3/4"	12	7'-6 3/4"	30'-10 3/4"	33'-1 1/2"	14'-1 3/4"
4	19'-8 1/2"	12'-9"	22'-5 3/4"	27'-0 3/4"	S1	18'-5 1/2"	14'-7 1/2"	22'-2"	24'-10 1/2"
5	22'-6 1/4"	10'-0"	21'-0 1/2"	29'-2"	S2	26'-4 3/4"	23'-10 1/4"	14'-2"	18'-1 1/4"
6	30'-11 3/4"	10'-0"	11'-11"	31'-7 3/4"	H1	11'-3 3/4"	22'-7 3/4"	27'-2 3/4"	18'-10 1/2"
7	31'-11 3/4"	12'-9"	9'-2"	30'-8 3/4"	H2	21'-8 3/4"	29'-3 1/4"	22'-1 1/2"	10'-2 1/2"
8	29'-11"	19'-11 1/4"	8'-10"	23'-11 3/4"	A	-	32'-0 1/4"	38'-5 1/2"	21'-3 1/2"
9	28'-6"	22'-2 3/4"	11'-2 3/4"	21'-0 3/4"					

DIAGONALS		3 to 12	15'-7 3/4"
1 to 2	12'-0"	4 to 5	2'-10"
1 to 3	13'-5 1/4"	4 to 6	12'-2"
1 to 4	15'-9 1/4"	4 to 7	14'-0"
1 to 5	18'-6 3/4"	4 to 8	16'-1 1/2"
1 to 6	25'-9 3/4"	4 to 9	16'-9 1/4"
1 to 7	26'-5 1/4"	4 to 10	22'-9 3/4"
1 to 8	23'-7"	4 to 11	22'-10 3/4"
1 to 9	22'-0"	4 to 12	18'-2"
1 to 10	14'-0"	5 to 6	10'-0"
1 to 11	12'-2"	5 to 7	12'-2"
1 to 12	2'-10"	5 to 8	15'-7 1/2"
2 to 3	1'-6 1/2"	5 to 9	16'-9 1/4"
2 to 4	4'-5 1/2"	5 to 10	24'-10"
2 to 5	6'-11"	5 to 11	25'-1 1/2"
2 to 6	14'-1 1/2"	5 to 12	20'-11"
2 to 7	15'-2 3/4"	6 to 7	2'-10"
2 to 8	15'-0 1/4"	6 to 8	10'-2 1/2"
2 to 9	14'-10 1/4"	6 to 9	12'-10"
2 to 10	18'-5 1/4"	6 to 10	27'-2 1/2"
2 to 11	18'-5 1/4"	6 to 11	28'-5 3/4"
2 to 12	14'-1 3/4"	6 to 12	27'-6 1/2"
3 to 4	3'-0"	7 to 8	8'-0"
3 to 5	5'-4 1/2"	7 to 9	10'-10 1/4"
3 to 6	13'-0"	7 to 10	26'-4"
3 to 7	14'-3 3/4"	7 to 11	27'-10 1/4"
3 to 8	14'-10 1/2"	7 to 12	27'-11"
3 to 9	15'-0 1/4"	8 to 9	3'-0 1/4"
3 to 10	19'-10"	8 to 10	19'-9 3/4"
3 to 11	19'-11"	8 to 11	21'-9 1/2"
		8 to 12	24'-4"
		9 to 10	16'-11 3/4"
		9 to 11	19'-1"
		9 to 12	22'-5 1/4"
		10 to 11	2'-10"
		10 to 12	12'-2"
		11 to 12	10'-0"
		S1 to S2	15'-2"
		S1 to H1	8'-1"
		S1 to H2	17'-1 3/4"
		S2 to H1	16'-1 1/2"
		S2 to H2	8'-0"
		H1 to H2	14'-0"



LAZY L 2FT RAD

14-0 X 17-4 X 28-0 RIGHT

DATE:01/01/2020

ATLAS SERIES