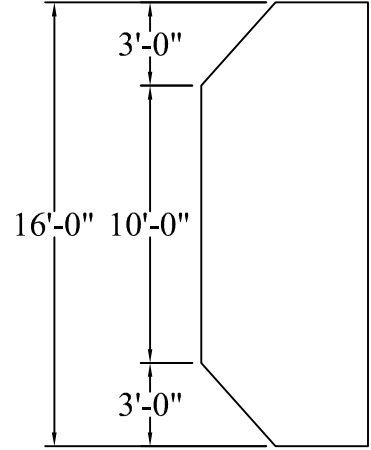
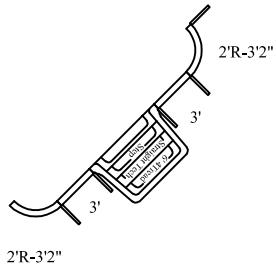
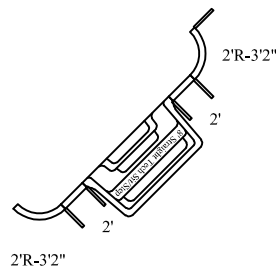


STEP OPTIONS

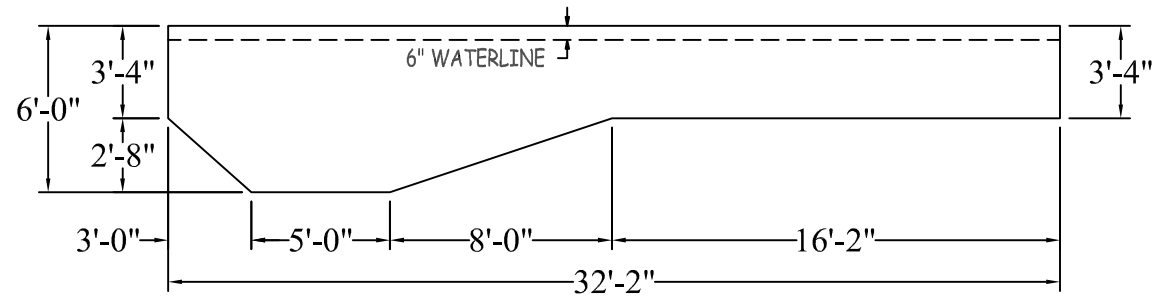
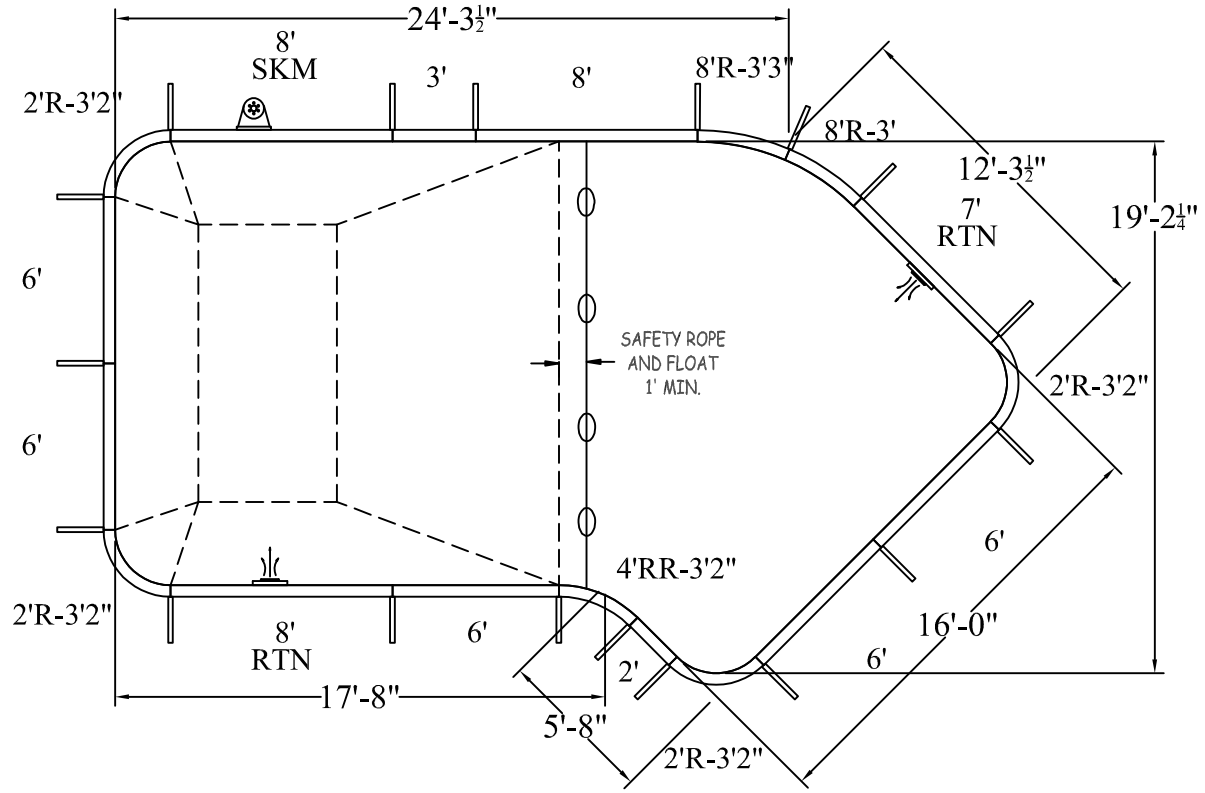
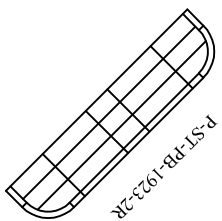
STEP OPTION 1



STEP OPTION 2



STEP OPTION 3



NON DIVING

ATLAS SERIES

WARNING
 SWIMMING POOLS ARE DANGEROUS WHEN USED IMPROPERLY. CONSULT YOUR DEALER FOR INFORMATION ON THE SAFE USE OF SWIMMING POOLS. IT IS THE RESPONSIBILITY OF TOWN OFFICIALS, BUILDERS AND HOME OWNERS TO FOLLOW ALL SAFETY RECOMMENDATIONS OF LOCAL ORDINANCES AND EQUIPMENT MANUFACTURERS FOR DIVING & SLIDING EQUIPMENT REFER TO THE MANUFACTURE'S INSTRUCTIONS TO CORRECTLY POSITION & INSTALL EQUIPMENT.

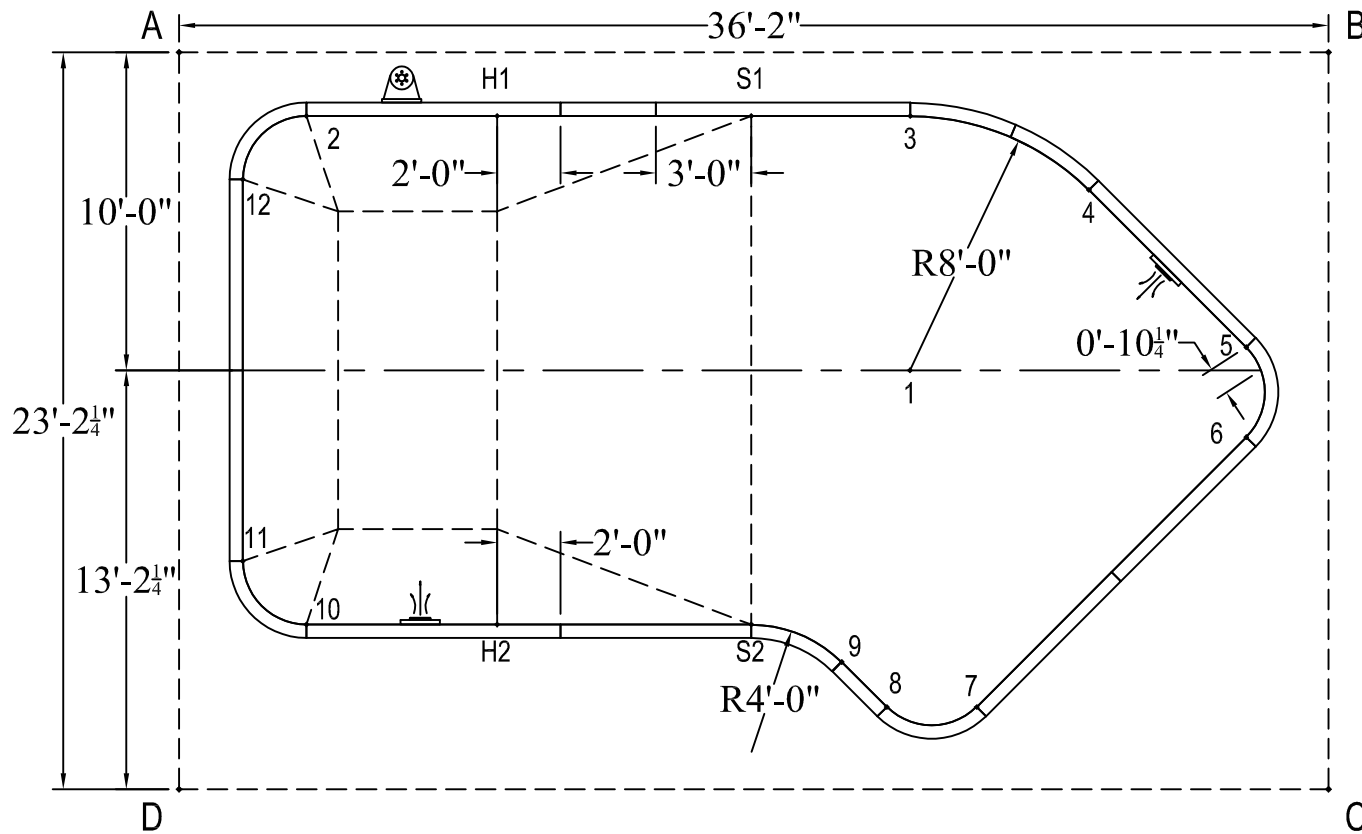
LAZY L 2FT RAD
16-0 X 19-2 X 32-2 LEFT

DATE: 01/01/2020
 REVISION:
 SCALE: N.T.S.
 APPROX. WATER VOLUME: 48600 LITRES

PERIMETER: 88'-1" LIN.FT.
 SURFACE (ft²): 474.8681
 LINER (ft²): 479.3344
 COVER (ft²): 723.2129 Standard

	A	B	C	D		A	B	C	D
1	25'-0 3/4"	16'-6 1/2"	18'-7 3/4"	26'-5 3/4"	10	18'-5 1/4"	36'-10 1/4"	32'-6 3/4"	6'-6 1/2"
2	4'-5 3/4"	32'-2 3/4"	38'-6"	21'-6 1/2"	11	16'-1 1/2"	37'-8 1/2"	34'-10 3/4"	7'-5 1/2"
3	23'-1"	13'-3 3/4"	24'-11 1/4"	31'-3 1/4"	12	4'-5 3/4"	34'-4 3/4"	39'-2"	19'-3 1/2"
4	28'-11 1/4"	8'-8 1/4"	20'-3 1/2"	34'-3 1/4"	S1	18'-1 1/4"	18'-3 1/4"	27'-10 3/4"	27'-9 1/2"
5	34'-10"	9'-7 1/2"	14'-1 3/4"	36'-4"	S2	25'-5 1/2"	25'-6 3/4"	18'-10 1/2"	18'-8 3/4"
6	35'-8 1/4"	12'-4 1/2"	11'-4 1/2"	35'-4 1/4"	H1	10'-2 1/2"	26'-2 3/4"	33'-7 3/4"	23'-5"
7	32'-5 1/2"	23'-4 1/2"	11'-4 1/2"	25'-2 3/4"	H2	20'-7"	31'-9"	26'-8"	11'-3 1/4"
8	30'-4"	24'-10"	14'-1 1/2"	22'-5"	A	-	36'-2"	42'-11 1/2"	23'-2 1/4"
9	28'-4"	24'-6 1/2"	15'-10"	21'-2 3/4"					

DIAGONALS		3 to 12	21'-1 1/4"
1 to 2	20'-7 1/4"	4 to 5	7'-0"
1 to 3	8'-0"	4 to 6	9'-2 3/4"
1 to 4	8'-0"	4 to 7	16'-7 3/4"
1 to 5	10'-7 1/2"	4 to 8	17'-5 1/2"
1 to 6	10'-9 1/2"	4 to 9	16'-9 1/4"
1 to 7	10'-9 1/2"	4 to 10	28'-2"
1 to 8	10'-7 1/2"	4 to 11	29'-0 3/4"
1 to 9	9'-5"	4 to 12	26'-7 1/2"
1 to 10	20'-7 1/4"	5 to 6	2'-10"
1 to 11	21'-9 3/4"	5 to 7	14'-1 3/4"
1 to 12	21'-9 3/4"	5 to 8	16'-0"
2 to 3	19'-0"	5 to 9	16'-1 1/2"
2 to 4	24'-8 3/4"	5 to 10	30'-10"
2 to 5	30'-5 1/2"	5 to 11	32'-3 1/4"
2 to 6	31'-3"	5 to 12	32'-0"
2 to 7	28'-1 1/4"	6 to 7	12'-0"
2 to 8	26'-0 3/4"	6 to 8	14'-1 3/4"
2 to 9	24'-0 3/4"	6 to 9	14'-6 3/4"
2 to 10	16'-0"	6 to 10	30'-1 3/4"
2 to 11	14'-1 3/4"	6 to 11	31'-9 3/4"
2 to 12	2'-10"	6 to 12	32'-7 1/4"
3 to 4	6'-1"	7 to 8	2'-10"
3 to 5	12'-10"	7 to 9	4'-5 3/4"
3 to 6	14'-7 1/2"	7 to 10	21'-3"
3 to 7	18'-8 1/2"	7 to 11	23'-6 1/2"
3 to 8	18'-7 1/4"	7 to 12	28'-5 1/4"
3 to 9	17'-3 3/4"	8 to 9	2'-0"
3 to 10	24'-10"	8 to 10	18'-5 1/4"
3 to 11	25'-2 3/4"	8 to 11	20'-9 1/4"
		8 to 12	26'-2 1/4"
		9 to 10	16'-10 3/4"
		9 to 11	19'-1 1/4"
		9 to 12	24'-2 1/4"
		10 to 11	2'-10"
		10 to 12	14'-1 3/4"
		11 to 12	12'-0"
		S1 to S2	16'-0"
		S1 to H1	8'-0"
		S1 to H2	17'-10 3/4"
		S2 to H1	17'-10 3/4"
		S2 to H2	8'-0"
		H1 to H2	16'-0"



LAZY L 2FT RAD

16-0 X 19-2 X 32-2 LEFT

DATE:01/01/2020

ATLAS SERIES