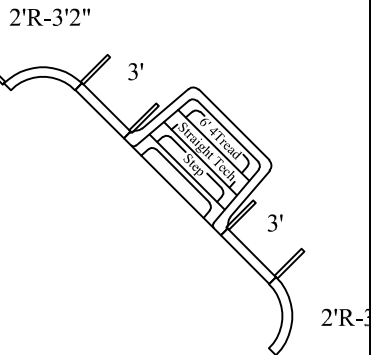
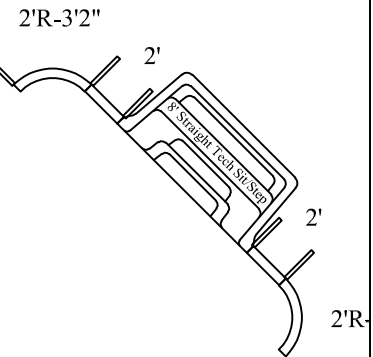


STEP OPTIONS

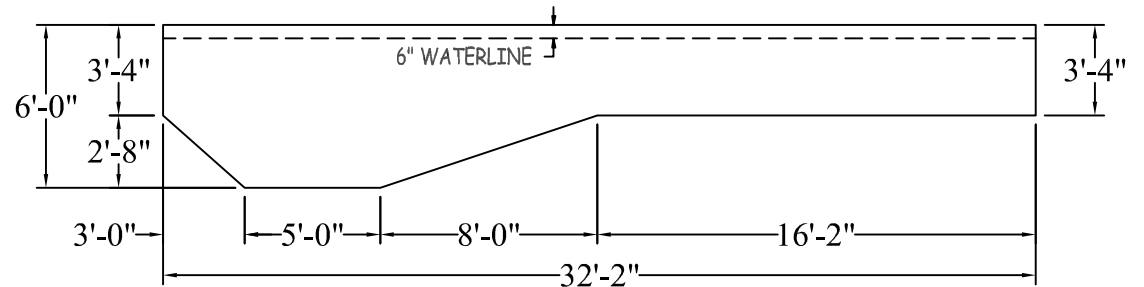
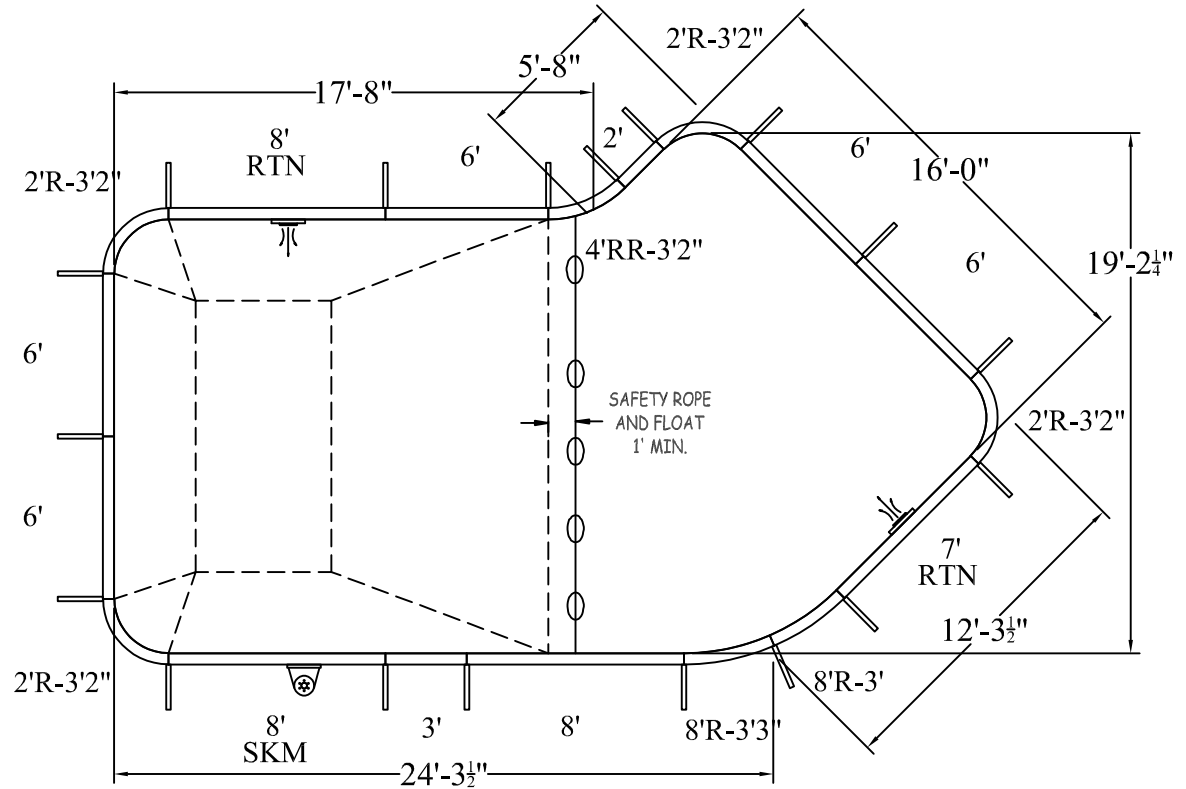
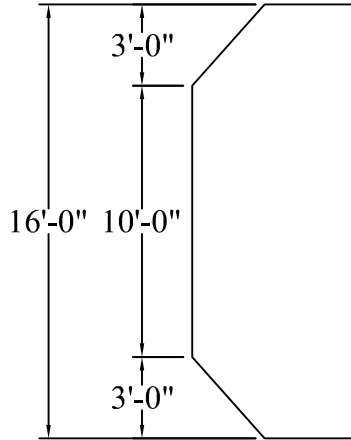
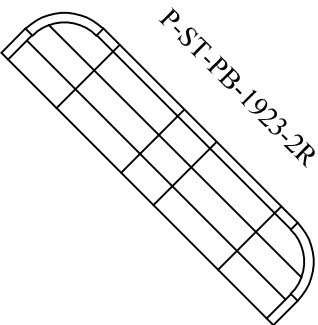
STEP OPTION 1



STEP OPTION 2



STEP OPTION 3



NON DIVING

ATLAS SERIES

LAZY L 2FT RAD

DATE: 01/01/2020

PERIMETER: 88'-1" LIN.FT.

REVISION:

SURFACE (ft²): 474.8681

16-0 X 19-2 X 32-2 RIGHT

SCALE: N.T.S.

LINER (ft²): 479.3344

APPROX. WATER VOLUME: 48600 LITRES

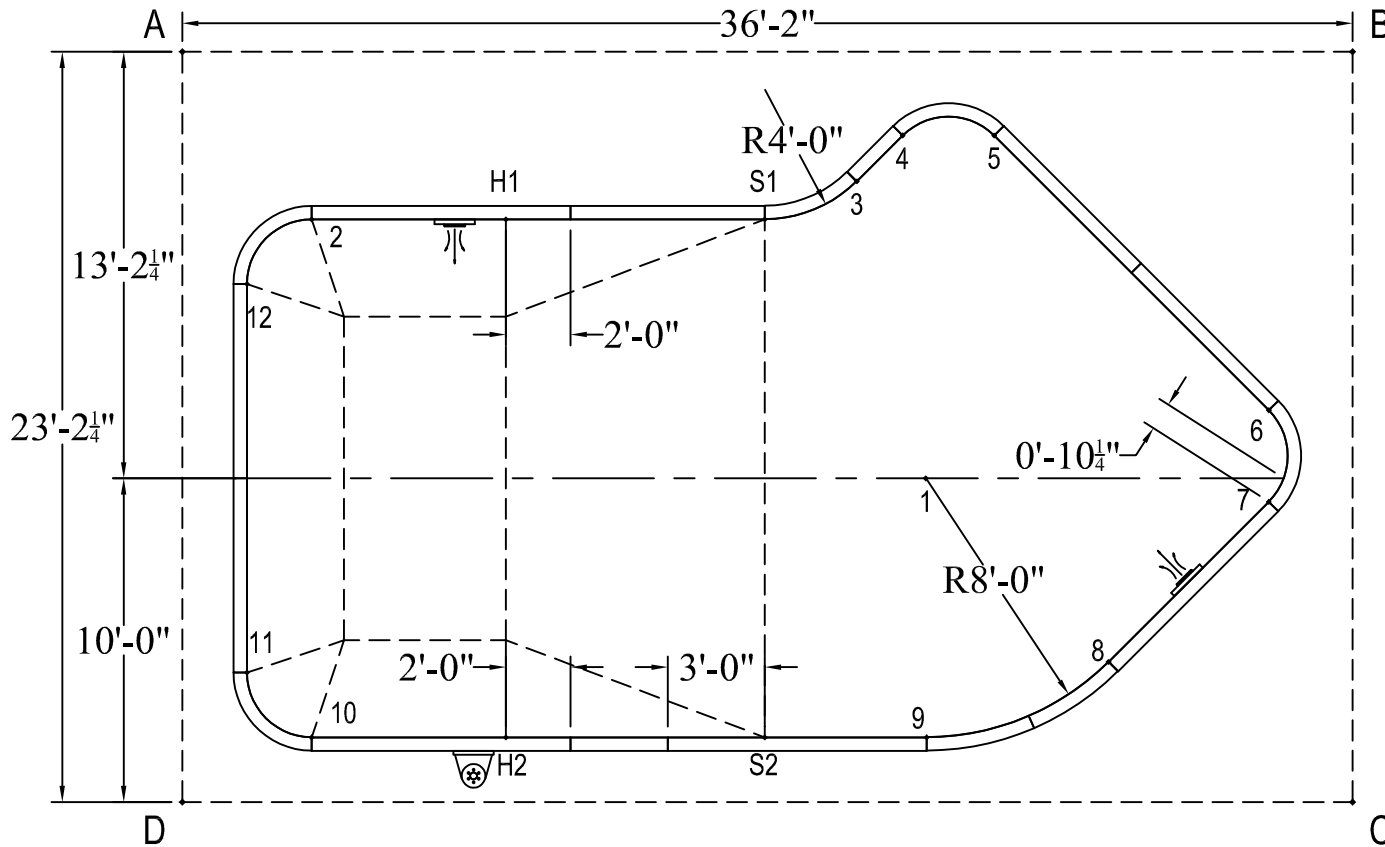
COVER (ft²): 723.2129 Standard

WARNING

SWIMMING POOLS ARE DANGEROUS WHEN USED IMPROPERLY. CONSULT YOUR DEALER FOR INFORMATION ON THE SAFE USE OF SWIMMING POOLS. IT IS THE RESPONSIBILITY OF TOWN OFFICIALS, BUILDERS AND HOME OWNERS TO FOLLOW ALL SAFETY RECOMMENDATIONS OF LOCAL ORDINANCES AND EQUIPMENT MANUFACTURERS. FOR DIVING & SLIDING EQUIPMENT REFER TO THE MANUFACTURER'S INSTRUCTIONS TO CORRECTLY POSITION & INSTALL EQUIPMENT.

	A	B	C	D		A	B	C	D	
1	26'-5 3/4"	18'-7 3/4"	16'-6 1/2"	25'-0 3/4"	10	21'-6 1/2"	38'-6"	32'-2 3/4"	4'-5 3/4"	
2	6'-6 1/2"	32'-6 3/4"	36'-10 1/4"	18'-5 1/4"	11	19'-3 1/2"	39'-2"	34'-4 3/4"	4'-5 3/4"	
3	21'-2 3/4"	15'-10"	24'-6 1/2"	28'-4"	12	7'-5 1/2"	34'-10 3/4"	37'-8 1/2"	16'-1 1/2"	
4	22'-5"	14'-1 1/2"	24'-10"	30'-4"	S1	18'-8 3/4"	18'-10 1/2"	25'-6 3/4"	25'-5 1/2"	
5	25'-2 3/4"	11'-4 1/2"	23'-4 1/2"	32'-5 1/2"	S2	27'-9 1/2"	27'-10 3/4"	18'-3 1/4"	18'-1 1/4"	
6	35'-4 1/4"	11'-4 1/2"	12'-4 1/2"	35'-8 1/4"	H1	11'-3 1/4"	26'-8"	31'-9"	20'-7"	
7	36'-4"	14'-1 3/4"	9'-7 1/2"	34'-10"	H2	23'-5"	33'-7 3/4"	26'-2 3/4"	10'-2 1/2"	
8	34'-3 1/4"	20'-3 1/2"	8'-8 1/4"	28'-11 1/4"	A	-	36'-2"	42'-11 1/2"	23'-2 1/4"	
9	31'-3 1/4"	24'-11 1/4"	13'-3 3/4"	23'-1"						

DIAGONALS		3 to 12	19'-1 1/4"
1 to 2	20'-7 1/4"	4 to 5	2'-10"
1 to 3	9'-5"	4 to 6	14'-1 3/4"
1 to 4	10'-7 1/2"	4 to 7	16'-0"
1 to 5	10'-9 1/2"	4 to 8	17'-5 1/2"
1 to 6	10'-9 1/2"	4 to 9	18'-7 1/4"
1 to 7	10'-7 1/2"	4 to 10	26'-0 3/4"
1 to 8	8'-0"	4 to 11	26'-2 1/4"
1 to 9	8'-0"	4 to 12	20'-9 1/4"
1 to 10	20'-7 1/4"	5 to 6	12'-0"
1 to 11	21'-9 3/4"	5 to 7	14'-1 3/4"
1 to 12	21'-9 3/4"	5 to 8	16'-7 3/4"
2 to 3	16'-10 3/4"	5 to 9	18'-8 1/2"
2 to 4	18'-5 1/4"	5 to 10	28'-1 1/4"
2 to 5	21'-3"	5 to 11	28'-5 1/4"
2 to 6	30'-1 3/4"	5 to 12	23'-6 1/2"
2 to 7	30'-10"	6 to 7	2'-10"
2 to 8	28'-2"	6 to 8	9'-2 3/4"
2 to 9	24'-10"	6 to 9	14'-7 1/2"
2 to 10	16'-0"	6 to 10	31'-3"
2 to 11	14'-1 3/4"	6 to 11	32'-7 1/4"
2 to 12	2'-10"	6 to 12	31'-9 3/4"
3 to 4	2'-0"	7 to 8	7'-0"
3 to 5	4'-5 3/4"	7 to 9	12'-10"
3 to 6	14'-6 3/4"	7 to 10	30'-5 1/2"
3 to 7	16'-1 1/2"	7 to 11	32'-0"
3 to 8	16'-9 1/4"	7 to 12	32'-3 1/4"
3 to 9	17'-3 3/4"	8 to 9	6'-1"
3 to 10	24'-0 3/4"	8 to 10	24'-8 3/4"
3 to 11	24'-2 1/4"	8 to 11	26'-7 1/2"



8 to 12	29'-0 3/4"
9 to 10	19'-0"
9 to 11	21'-1 1/4"
9 to 12	25'-2 3/4"
10 to 11	2'-10"
10 to 12	14'-1 3/4"
11 to 12	12'-0"
S1 to S2	16'-0"
S1 to H1	8'-0"
S1 to H2	17'-10 3/4"
S2 to H1	17'-10 3/4"
S2 to H2	8'-0"
H1 to H2	16'-0"

LAZY L 2FT RAD

16-0 X 19-2 X 32-2 RIGHT

DATE:01/01/2020

ATLAS SERIES