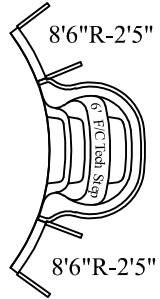
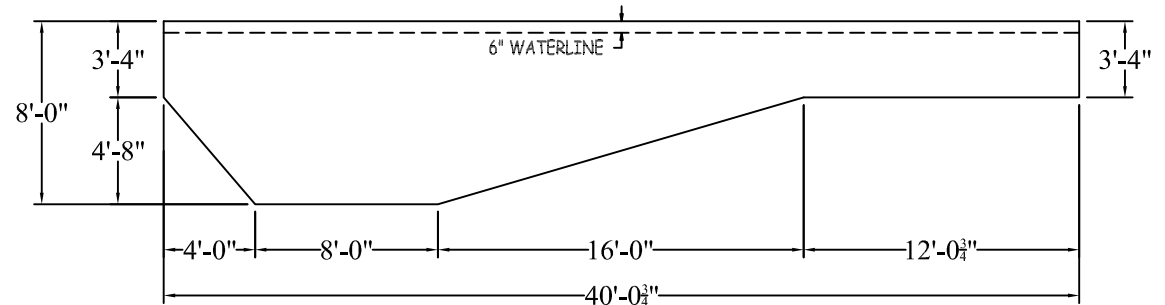
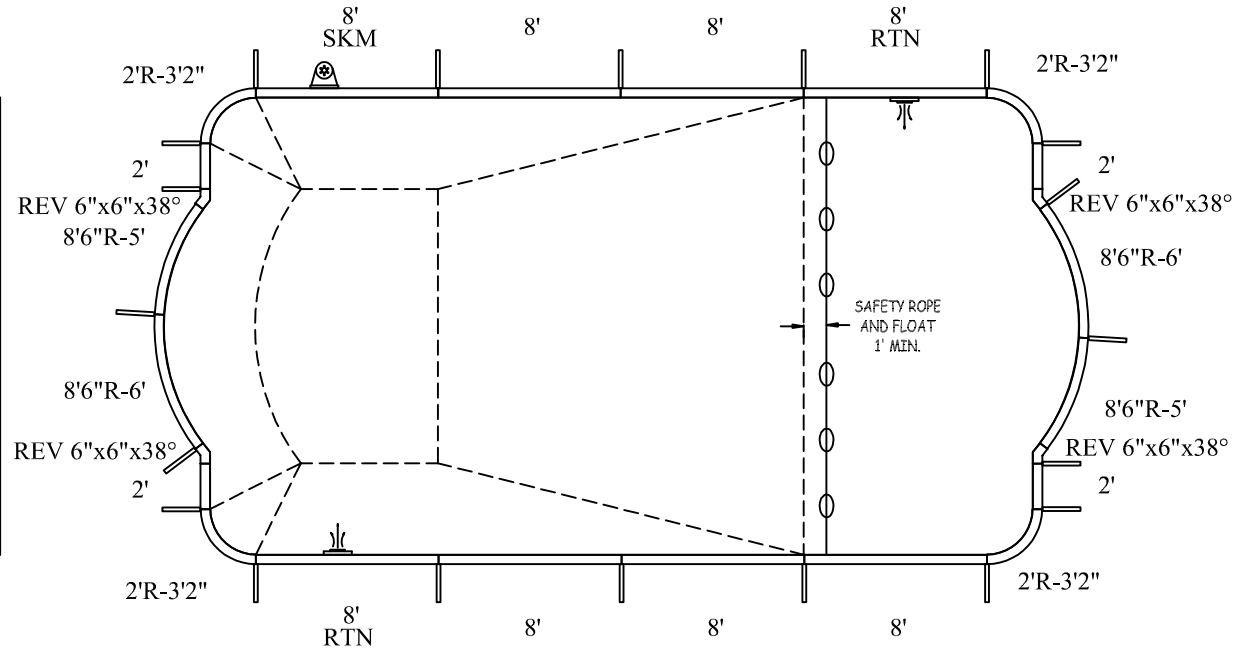
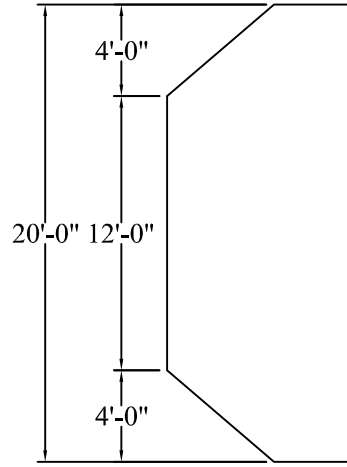


STEP OPTIONS

STEP OPTION 1



STEP OPTION 2



ROMAN 2FT RAD

20-0 X 40-1

DATE: 01/01/2019

REVISION:

SCALE: N.T.S.

APPROX. WATER VOLUME: 92 900 LITRES

PERIMETER: 110'-8" LIN.FT.

SURFACE (ft²): 747.2232

LINER (ft²): 801.2480

COVER (ft²): 925.8260 Standard

ATLAS SERIES

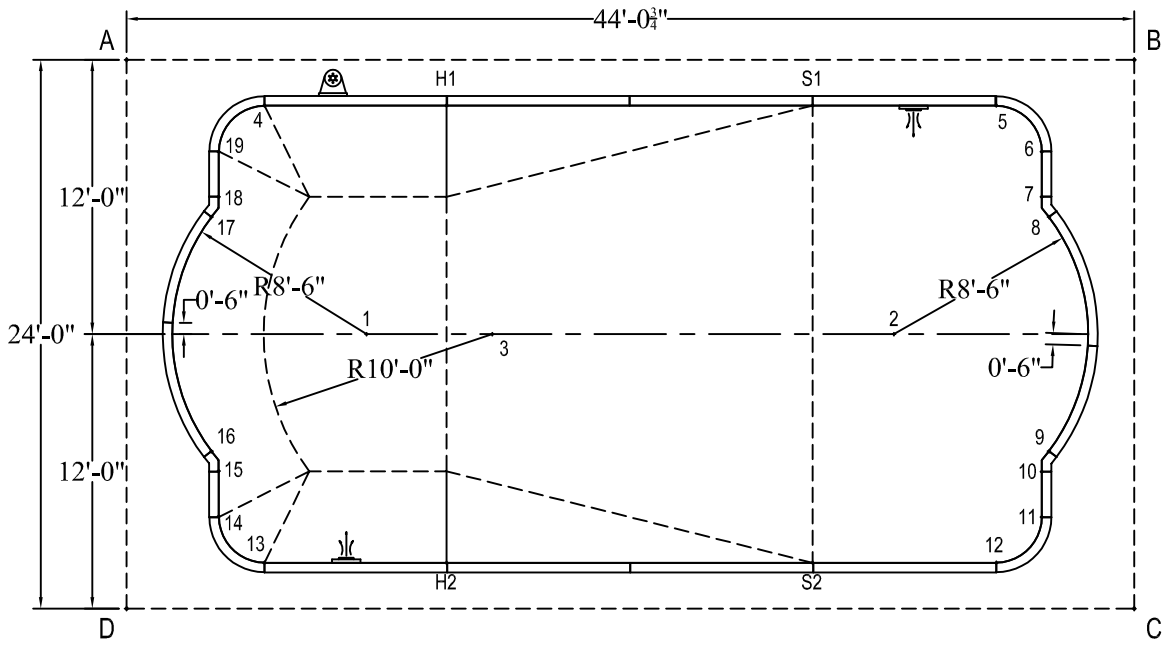
WARNING

SWIMMING POOLS ARE DANGEROUS WHEN USED IMPROPERLY. CONSULT YOUR DEALER FOR INFORMATION ON THE SAFE USE OF SWIMMING POOLS. IT IS THE RESPONSIBILITY OF TOWN OFFICIALS, BUILDERS AND HOME OWNERS TO FOLLOW ALL SAFETY RECOMMENDATIONS OF LOCAL ORDINANCES AND EQUIPMENT MANUFACTURERS FOR DIVING & SLIDING EQUIPMENT REFER TO THE MANUFACTURER'S INSTRUCTIONS TO CORRECTLY POSITION & INSTALL EQUIPMENT.

	A	B	C	D
1	15'-11 1/4"	35'-7 3/4"	35'-7 3/4"	15'-11 1/4"
2	35'-7 3/4"	15'-11 1/4"	15'-11 1/4"	35'-7 3/4"
3	20'-0"	30'-6 1/4"	30'-6 1/4"	20'-0"
4	6'-4 1/4"	38'-1"	43'-11 1/4"	22'-9 3/4"
5	38'-0 3/4"	6'-4 1/2"	22'-9 3/4"	43'-11 1/4"
6	40'-2 3/4"	5'-8 1/4"	20'-4 3/4"	44'-9"
7	40'-5 3/4"	7'-2 1/2"	18'-5 1/2"	43'-10 3/4"
8	40'-11"	7'-9 3/4"	17'-6 1/4"	43'-10"
9	43'-10"	17'-6 1/4"	7'-9 3/4"	40'-11"
10	43'-10 3/4"	18'-5 1/2"	7'-2 1/2"	40'-5 3/4"
11	44'-9"	20'-4 3/4"	5'-8 1/4"	40'-2 3/4"
12	43'-11 1/4"	22'-9 3/4"	6'-4 1/4"	38'-1"
13	22'-9 3/4"	43'-11 1/4"	38'-1"	6'-4 1/4"
14	20'-4 3/4"	44'-9"	40'-2 3/4"	5'-8 1/4"
15	18'-5 1/2"	43'-10 3/4"	40'-5 3/4"	7'-2 1/2"
16	17'-6 1/4"	43'-10"	40'-11"	7'-9 3/4"
17	7'-9 3/4"	40'-11"	43'-10"	17'-6 1/4"
18	7'-2 1/2"	40'-5 3/4"	43'-10 3/4"	18'-5 1/2"
19	5'-8 1/4"	40'-2 3/4"	44'-9"	20'-4 3/4"
S1	30'-0 3/4"	14'-2 1/2"	26'-1 1/4"	37'-2 1/2"
S2	37'-2 1/2"	26'-1 1/4"	14'-2 1/2"	30'-0 3/4"
H1	14'-1 3/4"	30'-1 1/2"	37'-3"	26'-1"
H2	26'-1"	37'-3"	30'-1 1/2"	14'-1 3/4"
A	-	44'-0 3/4"	50'-2"	24'-0"

DIAGONALS		1 to 19	10'-3 1/2"	6 to 8	2'-10 3/4"	10 to 14	36'-0 3/4"
1 to 2	23'-0 3/4"	2 to 3	17'-6 3/4"	6 to 9	13'-1 1/2"	10 to 15	36'-0"
1 to 3	5'-6"	2 to 4	29'-3 1/2"	6 to 10	14'-0 1/4"	10 to 16	36'-4"
1 to 4	10'-11 1/2"	2 to 5	10'-11 1/4"	6 to 11	16'-0"	10 to 17	37'-11 3/4"
1 to 5	29'-3 1/4"	2 to 6	10'-3 1/2"	6 to 12	18'-1 1/4"	10 to 18	37'-11 1/2"
1 to 6	30'-7 1/4"	2 to 7	8'-10"	6 to 13	38'-5 3/4"	10 to 19	38'-7 1/2"
1 to 7	30'-1 3/4"	2 to 8	8'-6"	6 to 14	39'-4 3/4"	11 to 12	2'-10"
1 to 8	30'-3 1/4"	2 to 9	8'-6"	6 to 15	38'-7 1/2"	11 to 13	34'-0 3/4"
1 to 9	30'-3 1/4"	2 to 10	8'-10"	6 to 16	38'-7 1/4"	11 to 14	36'-0"
1 to 10	30'-1 3/4"	2 to 11	10'-3 1/2"	6 to 17	36'-5"	11 to 15	36'-0 3/4"
1 to 11	30'-7 1/4"	2 to 12	10'-11 1/2"	6 to 18	36'-0 3/4"	11 to 16	36'-5"
1 to 12	29'-3 1/2"	2 to 13	29'-3 1/2"	6 to 19	36'-0"	11 to 17	38'-7 1/4"
1 to 13	10'-11 1/2"	2 to 14	30'-7 1/4"	7 to 8	0'-11 1/4"	11 to 18	38'-7 1/2"
1 to 14	10'-3 1/2"	2 to 15	30'-1 3/4"	7 to 9	11'-1 3/4"	11 to 19	39'-4 3/4"
1 to 15	8'-10"	2 to 16	30'-3 1/4"	7 to 10	12'-0 1/4"	12 to 13	32'-0"
1 to 16	8'-6"	2 to 17	30'-3 1/4"	7 to 11	14'-0 1/4"	12 to 14	34'-0 3/4"
1 to 17	8'-6"	2 to 18	30'-1 3/4"	7 to 12	16'-1 3/4"	12 to 15	34'-2 3/4"
1 to 18	8'-10"	2 to 19	30'-7 1/4"	7 to 13	37'-7"	12 to 16	34'-8"

4 to 5	31'-11 3/4"	7 to 14	38'-7 1/2"	12 to 17	37'-6"
4 to 6	34'-0 3/4"	7 to 15	37'-11 1/2"	12 to 18	37'-7"
4 to 7	34'-2 3/4"	7 to 16	37'-11 3/4"	12 to 19	38'-5 3/4"
4 to 8	34'-8"	7 to 17	36'-4"	13 to 14	2'-10"
4 to 9	37'-6"	7 to 18	36'-0"	13 to 15	4'-5 1/2"
4 to 10	37'-7"	7 to 19	36'-0 3/4"	13 to 16	5'-4 3/4"
4 to 11	38'-5 3/4"	8 to 9	10'-3"	13 to 17	15'-3 1/2"
4 to 12	37'-8 3/4"	8 to 10	11'-1 3/4"	13 to 18	16'-1 3/4"
4 to 13	20'-0"	8 to 11	13'-1 1/2"	13 to 19	18'-1 1/4"
4 to 14	18'-1 1/4"	8 to 12	15'-3 1/2"	14 to 15	1'-11 3/4"
4 to 15	16'-1 3/4"	8 to 13	37'-6"	14 to 16	2'-10 3/4"
4 to 16	15'-3 1/2"	8 to 14	38'-7 1/4"	14 to 17	13'-1 1/2"
4 to 17	5'-4 3/4"	8 to 15	37'-11 3/4"	14 to 18	14'-0 1/4"
4 to 18	4'-5 1/2"	8 to 16	38'-0 1/2"	14 to 19	16'-0"
4 to 19	2'-10"	8 to 17	36'-7 1/2"	15 to 16	0'-11 1/4"
5 to 6	2'-10 1/4"	8 to 18	36'-4"	15 to 17	11'-1 3/4"
5 to 7	4'-5 3/4"	8 to 19	36'-5"	15 to 18	12'-0 1/4"
5 to 8	5'-5"	9 to 10	0'-11 1/4"	15 to 19	14'-0 1/4"
5 to 9	15'-3 3/4"	9 to 11	2'-10 3/4"	16 to 17	10'-3"
5 to 10	16'-1 3/4"	9 to 12	5'-4 3/4"	16 to 18	11'-1 3/4"
5 to 11	18'-1 1/4"	9 to 13	34'-8"	16 to 19	13'-1 1/2"
5 to 12	20'-0"	9 to 14	36'-5"	17 to 18	0'-11 1/4"
5 to 13	37'-8 1/2"	9 to 15	36'-4"	17 to 19	2'-10 3/4"
5 to 14	38'-5 1/4"	9 to 16	36'-7 1/2"	18 to 19	1'-11 3/4"
5 to 15	37'-6 3/4"	9 to 17	38'-0 1/2"	S1 to S2	20'-0"
5 to 16	37'-5 3/4"	9 to 18	37'-11 3/4"	S1 to H1	16'-0"
5 to 17	34'-7 1/2"	9 to 19	38'-7 1/4"	S1 to H2	25'-7 1/4"
5 to 18	34'-2 1/2"	10 to 11	1'-11 3/4"	S2 to H1	25'-7 1/4"
5 to 19	34'-0 1/4"	10 to 12	4'-5 1/2"	S2 to H2	16'-0"
6 to 7	1'-11 3/4"	10 to 13	34'-2 3/4"	H1 to H2	20'-0"



ROMAN 2FT RAD

20-0 X 40-1

DATE:01/01/2019

ATLAS SERIES