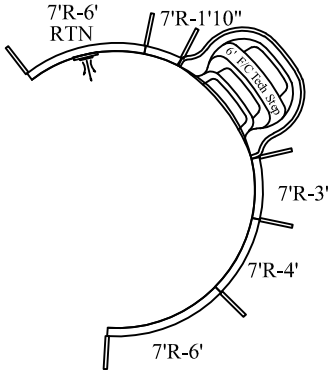
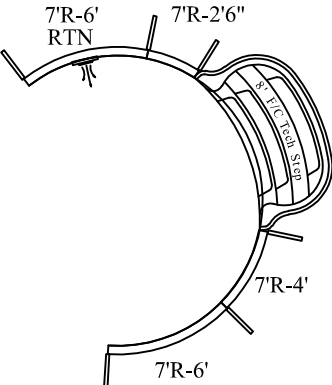


STEP OPTIONS

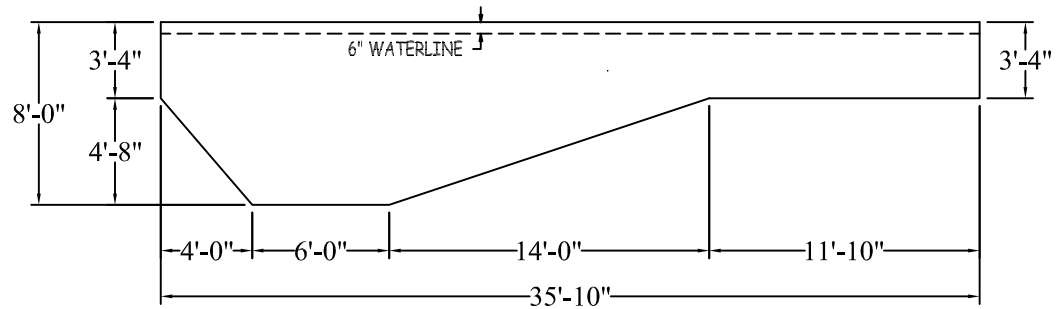
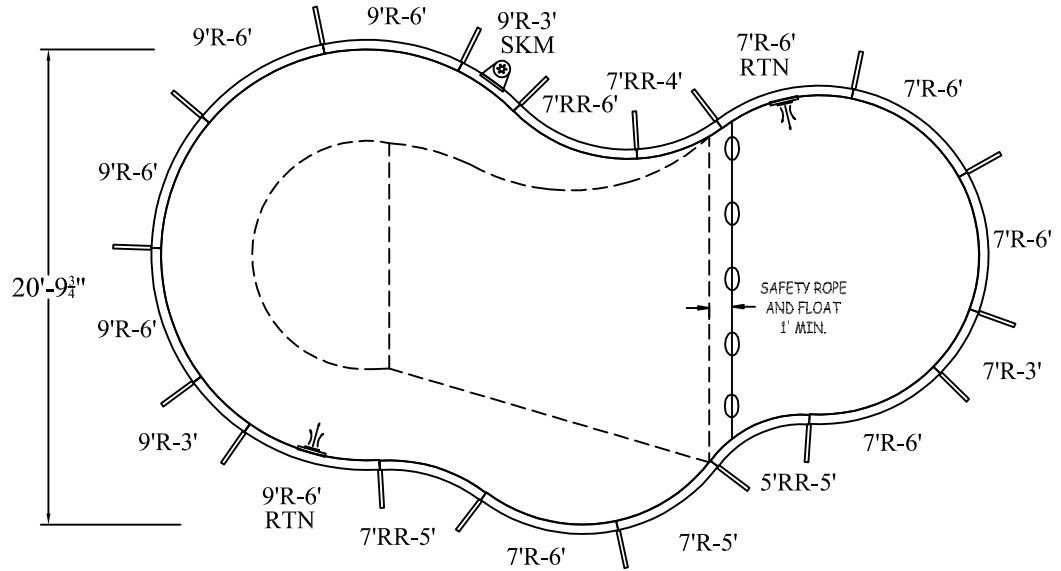
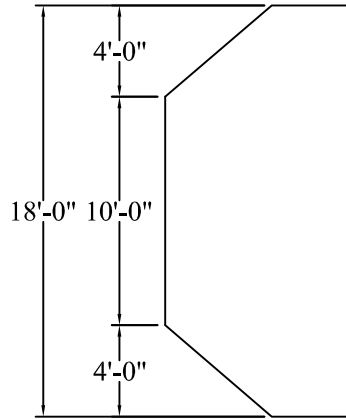
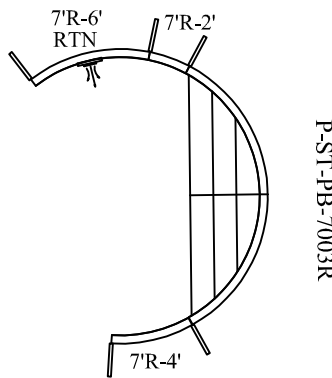
STEP OPTION 1



STEP OPTION 2



STEP OPTION 3



MOUNTAIN LAKE

DATE: 01/01/2019

PERIMETER: 94'-0" LIN.FT.

REVISION:

SURFACE (ft²): 521.9505

SCALE: N.T.S.

LINER (ft²): 644.9994

APPROX. WATER VOLUME: 67 000 LITRES

COVER (ft²): 925.5070 FREEFORM

ATLAS SERIES

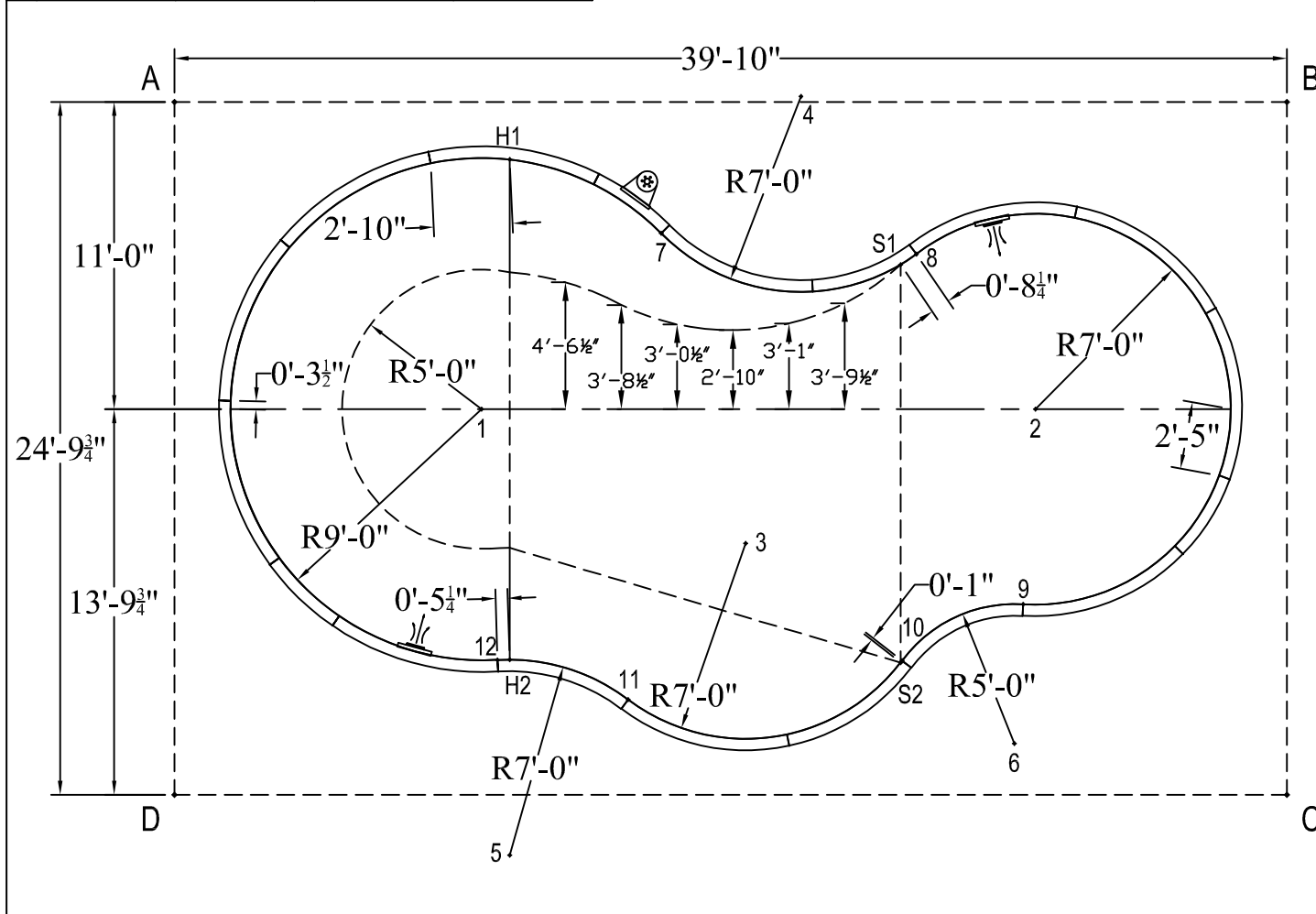
WARNING

SWIMMING POOLS ARE DANGEROUS WHEN USED IMPROPERLY. CONSULT YOUR DEALER FOR INFORMATION ON THE SAFE USE OF SWIMMING POOLS. IT IS THE RESPONSIBILITY OF TOWN OFFICIALS, BUILDERS AND HOME OWNERS TO FOLLOW ALL SAFETY RECOMMENDATIONS OF LOCAL ORDINANCES AND EQUIPMENT MANUFACTURERS FOR DIVING & SLIDING EQUIPMENT REFER TO THE MANUFACTURER'S INSTRUCTIONS TO CORRECTLY POSITION & INSTALL EQUIPMENT.

18-0 X 20-10 X 35-10 RIGHT

	A	B	C	D		A	B	C	D
1	15'-6 3/4"	30'-10 1/4"	31'-11 1/2"	17'-7 3/4"	S1	26'-7 3/4"	15'-0"	23'-5 3/4"	32'-2 1/4"
2	32'-8 3/4"	14'-2 1/2"	16'-5 3/4"	33'-9 1/2"	S2	32'-10 1/4"	24'-4 1/2"	14'-7 1/2"	26'-5"
3	25'-10 1/4"	25'-0"	21'-4 1/2"	22'-4 1/4"	H1	12'-2"	27'-11"	35'-11 1/4"	25'-8 3/4"
4	22'-5 1/4"	17'-4 3/4"	30'-5 1/2"	33'-7"	H2	23'-3 1/2"	34'-3"	28'-3"	12'-11 1/4"
5	29'-6 1/4"	38'-9"	27'-11"	12'-2 1/2"	A	-	39'-10"	46'-11"	24'-9 3/4"
6	37'-10 1/4"	24'-11 1/2"	9'-11 1/4"	30'-1 1/2"					
7	18'-0 1/2"	22'-10 3/4"	30'-1 1/4"	26'-7 1/4"					
8	27'-1 1/2"	14'-4 1/4"	23'-5 1/2"	32'-10 1/2"					
9	35'-3 3/4"	20'-3 3/4"	11'-7 3/4"	31'-1 3/4"					
10	32'-10 1/4"	24'-3 1/2"	14'-7"	26'-6"					
11	26'-10 1/2"	31'-10 1/4"	23'-10"	16'-7 1/4"					
12	23'-1"	34'-7 1/2"	28'-8"	12'-6 1/2"					

DIAGONALS		3 to 12	9'-9 3/4"
1 to 2	19'-10"	4 to 5	29'-1 1/4"
1 to 3	10'-7 1/4"	4 to 6	24'-4 3/4"
1 to 4	16'-0"	4 to 7	7'-0"
1 to 5	16'-0"	4 to 8	7'-0"
1 to 6	22'-6 1/4"	4 to 9	19'-10 1/4"
1 to 7	9'-0"	4 to 10	20'-6 1/4"
1 to 8	16'-6 1/4"	4 to 11	22'-5 1/2"
1 to 9	20'-7 1/4"	4 to 12	22'-11"
1 to 10	17'-6 1/2"	5 to 6	18'-6"
1 to 11	11'-7 3/4"	5 to 7	22'-11"
1 to 12	9'-0"	5 to 8	25'-11 3/4"
2 to 3	11'-5 1/4"	5 to 9	20'-5 1/2"
2 to 4	14'-0"	5 to 10	15'-8 1/4"
2 to 5	24'-8 1/4"	5 to 11	7'-0"
2 to 6	12'-0"	5 to 12	7'-0"
2 to 7	14'-9 3/4"	6 to 7	22'-2 3/4"
2 to 8	7'-0"	6 to 8	17'-10 1/2"
2 to 9	7'-0"	6 to 9	5'-0"
2 to 10	10'-2 1/4"	6 to 10	5'-0"
2 to 11	17'-11"	6 to 11	13'-11"
2 to 12	21'-3"	6 to 12	18'-9"
3 to 4	16'-1 1/2"	7 to 8	9'-2"
3 to 5	14'-0"	7 to 9	18'-6 3/4"
3 to 6	12'-0"	7 to 10	17'-6 3/4"
3 to 7	11'-6"	7 to 11	16'-8 3/4"
3 to 8	12'-0 1/4"	7 to 12	16'-4 1/2"
3 to 9	10'-2"	8 to 9	13'-1 1/4"
3 to 10	7'-0"	8 to 10	14'-6 3/4"
3 to 11	7'-0"	8 to 11	19'-0"
		8 to 12	20'-10 1/2"
		9 to 10	4'-9 1/2"
		9 to 11	14'-6 1/2"
		9 to 12	18'-11 1/4"
		10 to 11	9'-11"
		10 to 12	14'-5 3/4"
		11 to 12	4'-10 3/4"
		S1 to S2	14'-3"
		S1 to H1	14'-6"
		S1 to H2	19'-10 3/4"
		S2 to H1	22'-9 3/4"
		S2 to H2	14'-0"
		H1 to H2	17'-11"



MOUNTAIN LAKE

18-0 X 20-10 X 35-10 RIGHT

DATE:01/01/2019

ATLAS SERIES