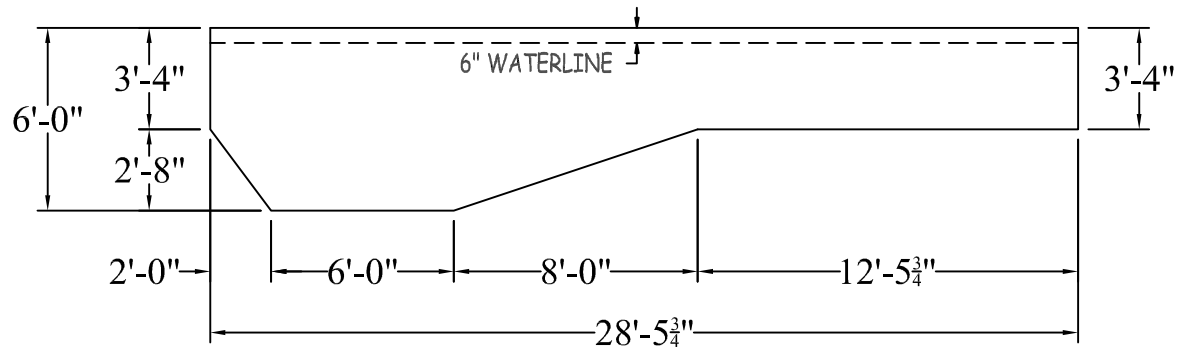
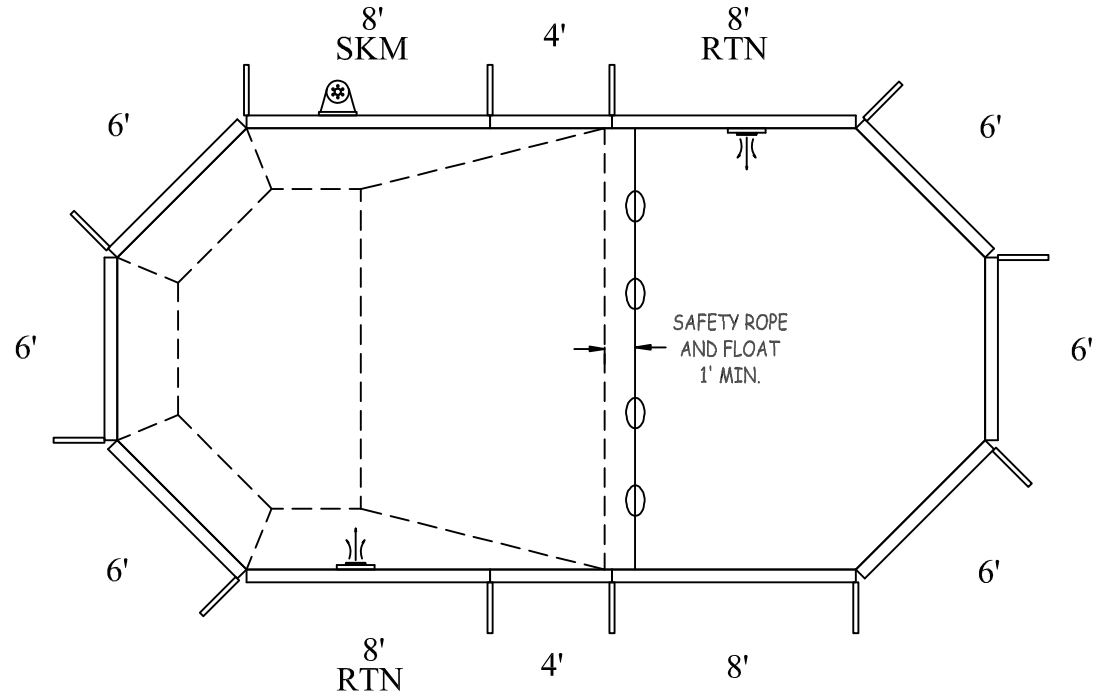
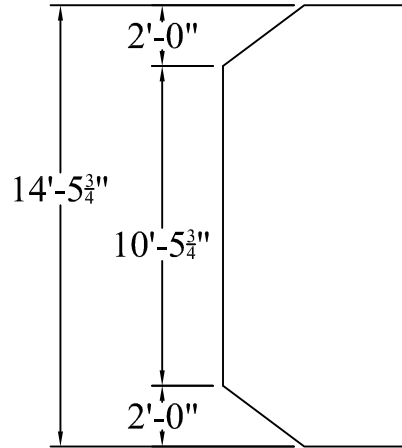
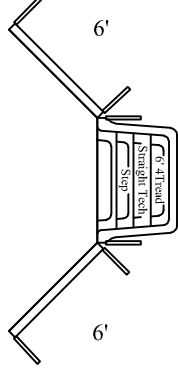


# STEP OPTIONS

## STEP OPTION 1



**NON DIVING**

GRECIAN

14-6 X 28-6

DATE: 01/01/2019

REVISION:

SCALE: N.T.S.

APPROX. WATER VOLUME: 39 700 LITRES

PERIMETER: 76'-0" LIN.FT.

SURFACE (ft<sup>2</sup>): 376.6173

LINER (ft<sup>2</sup>): 412.3517

COVER (ft<sup>2</sup>): 503.2500 Standard

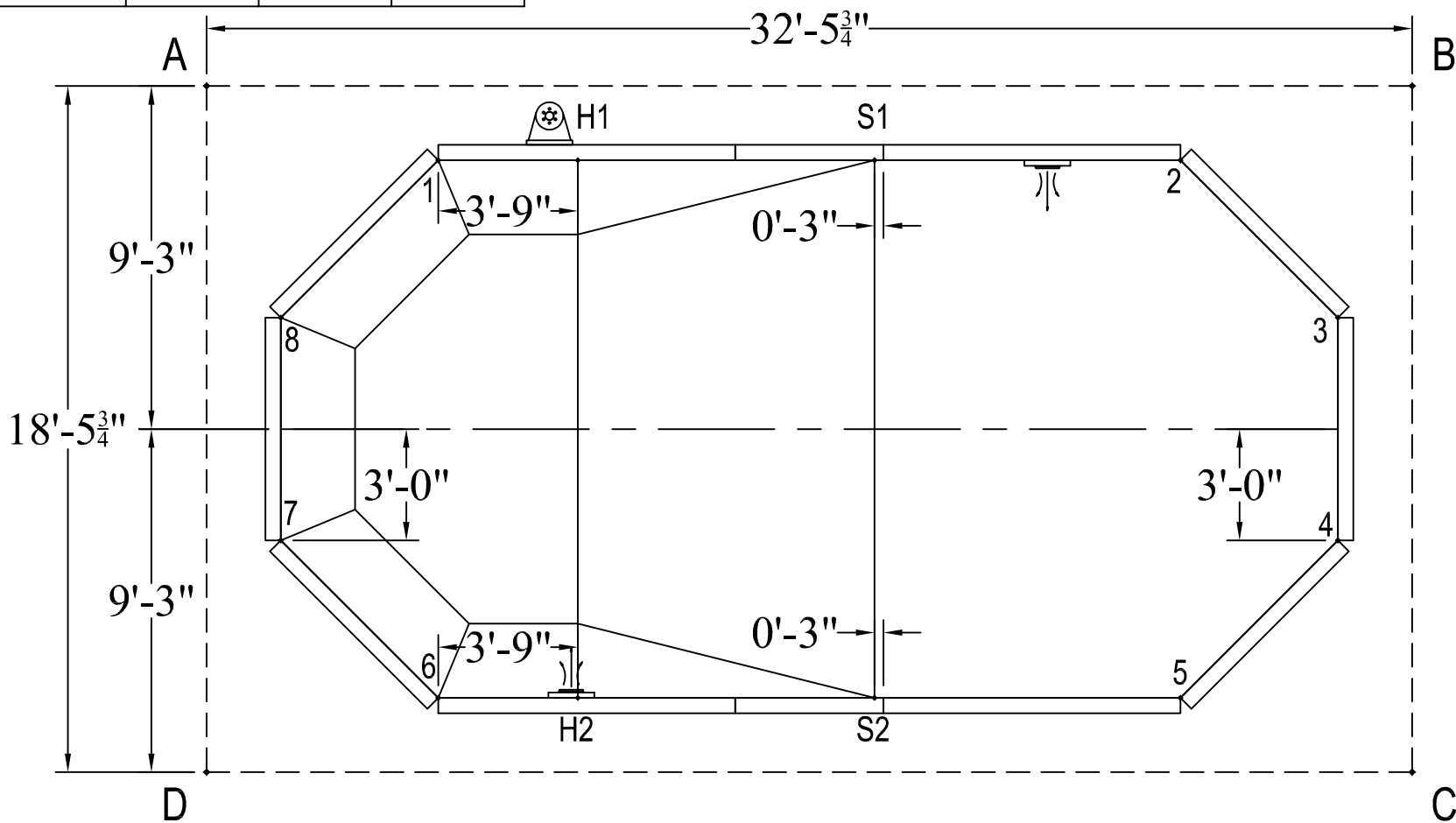
**ATLAS SERIES**

**WARNING**

SWIMMING POOLS ARE DANGEROUS WHEN USED IMPROPERLY. CONSULT YOUR DEALER FOR INFORMATION ON THE SAFE USE OF SWIMMING POOLS. IT IS THE RESPONSIBILITY OF TOWN OFFICIALS, BUILDERS AND HOME OWNERS TO FOLLOW ALL SAFETY RECOMMENDATIONS OF LOCAL ORDINANCES AND EQUIPMENT MANUFACTURERS FOR DIVING & SLIDING EQUIPMENT REFER TO THE MANUFACTURER'S INSTRUCTIONS TO CORRECTLY POSITION & INSTALL EQUIPMENT.

	A	B	C	D
1	6'-6 3/4"	26'-3 3/4"	31'-0"	17'-7 1/2"
2	26'-3 3/4"	6'-6 3/4"	17'-7 1/2"	31'-0"
3	31'-1 1/2"	6'-6 3/4"	12'-4 3/4"	32'-10 1/4"
4	32'-10 1/4"	12'-4 3/4"	6'-6 3/4"	31'-1 1/2"
5	31'-0"	17'-7 1/2"	6'-6 3/4"	26'-3 3/4"
6	17'-7 1/2"	31'-0"	26'-3 3/4"	6'-6 3/4"
7	12'-4 3/4"	32'-10 1/4"	31'-1 1/2"	6'-6 3/4"
8	6'-6 3/4"	31'-1 1/2"	32'-10 1/4"	12'-4 3/4"
S1	18'-1 1/4"	14'-7 1/2"	21'-11 1/4"	24'-5"
S2	24'-5"	21'-11 1/4"	14'-7 1/2"	18'-1 1/4"
H1	10'-2 1/2"	22'-7"	27'-10 1/2"	19'-3 1/4"
H2	19'-3 1/4"	27'-10 1/2"	22'-7"	10'-2 1/2"
A	-	32'-5 3/4"	37'-4 1/2"	18'-5 3/4"

DIAGONALS	
1 to 2	20'-0"
1 to 3	24'-7 1/4"
1 to 4	26'-3 3/4"
1 to 5	24'-8 1/4"
1 to 6	14'-5 3/4"
1 to 7	11'-1"
1 to 8	6'-0"
2 to 3	6'-0"
2 to 4	11'-1"
2 to 5	14'-5 3/4"
2 to 6	24'-8 1/4"
2 to 7	26'-3 3/4"
2 to 8	24'-7 1/4"
3 to 4	6'-0"
3 to 5	11'-1"
3 to 6	26'-3 3/4"
3 to 7	29'-1 1/4"
3 to 8	28'-5 3/4"
4 to 5	6'-0"
4 to 6	24'-7 1/4"
4 to 7	28'-5 3/4"
4 to 8	29'-1 1/4"
5 to 6	20'-0"
5 to 7	24'-7 1/4"
5 to 8	26'-3 3/4"
6 to 7	6'-0"
6 to 8	11'-1"
7 to 8	6'-0"
S1 to S2	14'-5 3/4"
S1 to H1	8'-0"
S1 to H2	16'-6 1/2"
S2 to H1	16'-6 1/2"
S2 to H2	8'-0"
H1 to H2	14'-5 3/4"



GRECIAN

14-6 X 28-6

DATE:01/01/2019

ATLAS SERIES